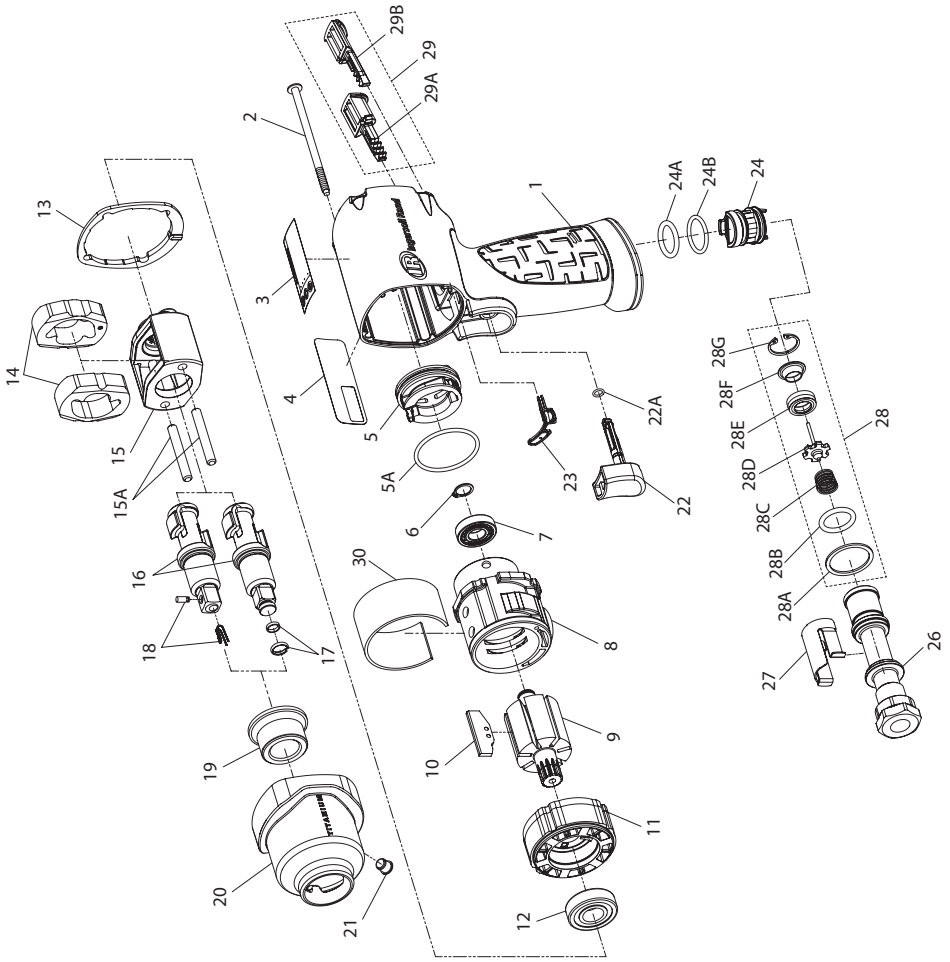


2115TiMAX and 2125TiMAX Series Air Impactool™ - Exploded View



(Dwg. 45588175)

2115TiMAX and 2125TiMAX Series Air Impactool™ - Parts List

Item	Part Description	Part Number	Item	Part Description	Part Number
*	Housing Assembly		† 18	Socket Retainer Kit	
	for model 2115TiMAX	2115TiMAX-A40		for models 2115PTiMAX and 2115PTiMAX-A (3/8" Pin-type)	2115PTi-K425
	for model 2115TiMAX-A	2115TiMAX-A-A40		for models 2125PTiMAX and 2125PTiMAX-A (1/2" Pin-type)	2125PTi-K425
	for model 2115QTiMAX	2115QTiMAX-A40		Retainer Spring	---
	for model 2115QTiMAX-A	2115QTiMAX-A-A40		Socket Retainer Pin	---
	for model 2115PTiMAX	2115PTiMAX-A40	19	Bushing, Hammer Case	2112-641
	for model 2115PTiMAX-A	2115PTiMAX-A-A40	*	Hammer Case Assembly	2115TiMAX-D727
	for model 2125PTiMAX	2125PTiMAX-A40	19	Bushing, Hammer Case	---
	for model 2125PTiMAX-A	2125PTiMAX-A-A40	20	Hammer Case	---
	1	Housing	---	21	Grease Fitting
3	Warning Label	---	21	Grease Fitting	1305R-188
4	Information Label	---	† *	Trigger Assembly	2135-D93B
23	Gasket, Motor	---	22	Trigger	---
*	Reverse Valve Assembly	---	22A	O-Ring, Trigger	---
29	Button Kit	---	† 23	Gasket, Motor	2112-283
2	Screw, Hammer Case (4)	2115-638	*	Reverse Valve Assembly	2131-A329
3	Warning Label	WARNING-2-99	24	Reverse Valve	---
4	Information Label		24A	O-Ring, Reverse Valve (Top-Black)	---
	for model 2115TiMAX	2115TiMAX-300	24B	O-Ring, Reverse Valve (Bottom-Blue)	---
	for model 2115TiMAX-A	2115TiMAX-A-300	*	Inlet Bushing Assembly	2135-D565A
	for model 2115QTiMAX	2115QTiMAX-300	26	Inlet Bushing	---
	for model 2115QTiMAX-A	2115QTiMAX-A-300	27	Inlet Clip	2131-57
	for model 2125QTiMAX	2125QTiMAX-300	28	Inlet Parts Kit	2135-K303
	for model 2125QTiMAX-A	2125QTiMAX-A-300	28A	Washer	---
	for model 2115PTiMAX	2115PTiMAX-300	28B	O-Ring, Seal	---
	for model 2115PTiMAX-A	2115PTiMAX-A-300	28C	Throttle Spring	---
	for model 2125PTiMAX	2125PTiMAX-300	28D	Throttle Valve	---
for model 2125PTiMAX-A	2125PTiMAX-A-300	28E	Valve Seat	---	
*	Power Regulator Assembly	2115-D249A	28F	Seat Support	---
5	Power Regulator	---	28G	Retainer	---
5A	O-Ring, Power Regulator	---	29	Button Kit	2115-K75RD
6	Retaining Ring	4E-6	29A	Forward Button	---
7	Ball Bearing (Cylinder)	RO0H-97	29B	Reverse Button	---
8	Cylinder	2112-3	30	Silencer (for models 2115QTiMAX, 2115QTiMAX-A, 2125QTiMAX, 2125QTiMAX-A, 2115PTiMAX, 2115PTiMAX-A, 2125PTiMAX and 2125PTiMAX-A)	2115Q-311
9	Rotor	2115-53			
† 10	Vane Pack (set of 7)	2115-42A-7	*	Tune-Up Kit	2115-TK2
11	End Plate	2112-11	5A	O-Ring, Power Regulator	---
12	Ball Bearing (End Plate)	2131-97	6	Retaining Ring	---
† 13	Hammer Case Gasket	2115-36	7	Ball Bearing (Cylinder)	---
*	Hammer Mechanism Kit	2115-THK2	10	Vane Pack (set of 7)	---
14	Hammer (2)	---	12	Ball Bearing (End Plate)	---
15	Hammer Frame	---	13	Hammer Case Gasket	---
15A	Hammer Pin (2)	---	22A	O-Ring, Trigger	---
*	Anvil Assembly		23	Gasket, Motor	---
	for models 2115TiMAX, 2115QTiMAX, 2115TiMAX-A and 2115QTiMAX-A	2112-A626	24A	O-Ring, Reverse Valve (Top-Black)	---
	for model 2125QTiMAX and 2125QTiMAX-A	2112-A726	24B	O-Ring, Reverse Valve (Bottom-Blue)	---
	for model 2115PTiMAX and 2115PTiMAX-A	2112P-A626	28	Inlet Parts Kit	---
	for model 2125PTiMAX and 2125PTiMAX-A	2112P-A726	*	Kit, Piped-Away Exhaust	2115-K284
16	Anvil	---	*	Inlet Clip Removal Tool	2131-322
	Socket Retainer Kit	---	† *	Air Care Kit (grease gun, grease, oil)	115-LBK1
† 17	Socket Retainer Kit		*	Grease (replacement tube for -LBK1)	115-4T
	for models 2115TiMAX, 2115QTiMAX, 2115TiMAX-A and 2115QTiMAX-A (3/8" Ring-type)	2115-K425	*	Air Tool Oil (4 oz. bottle)	1024
	for models 2125QTiMAX and 2125QTiMAX-A (1/2" Ring-type)	2125QTi-K425	*	Grease (1 lb can)	105-1LB
	O-Ring	---	*	Grease (8 lb can)	105-8LB
	Socket Retainer	---	*	Grease Gun	R000A2-228

* Indicates not illustrated.

† Indicates common-wear parts. Maintain stock to reduce downtime.

Parts and Maintenance

When tool life has expired, it is recommended that the tool be disassembled, degreased and parts separated by material for proper recycling.

Tool repair and maintenance should only be carried out by an authorized Service Center.

Refer all communications to the nearest **Ingersoll Rand** office or distributor.

Related Documentation

Manuals can be downloaded from ingersollrandproducts.com

For additional information, refer to:

Product Safety Information Manual 04580916.

Product Information Manual 45585155.

Declaration of Conformity 47624108001.



ingersollrandproducts.com

© 2018 Ingersoll Rand

45585163

Edition 5

January 2018