

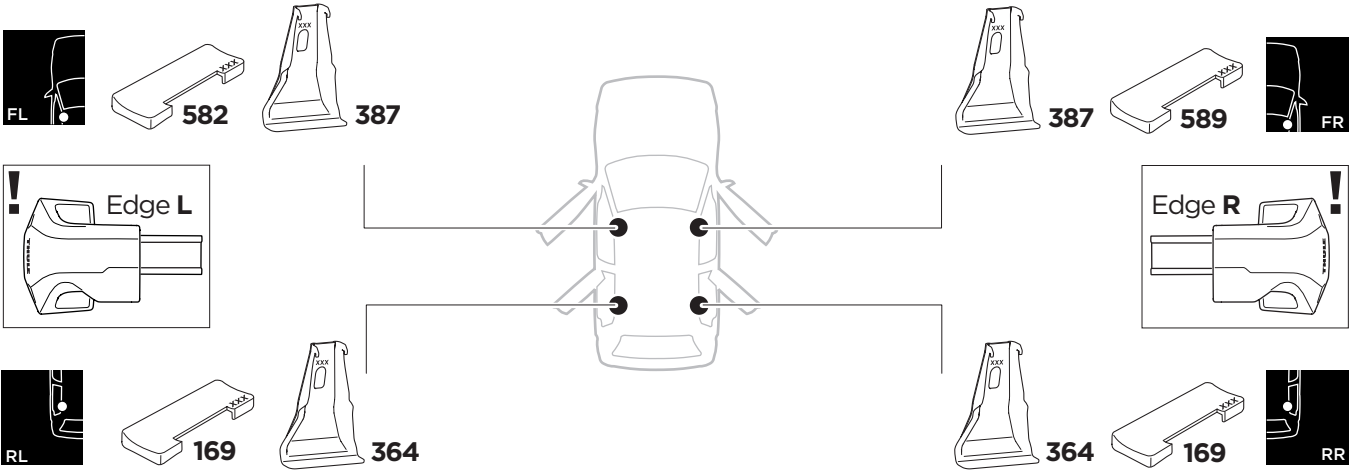
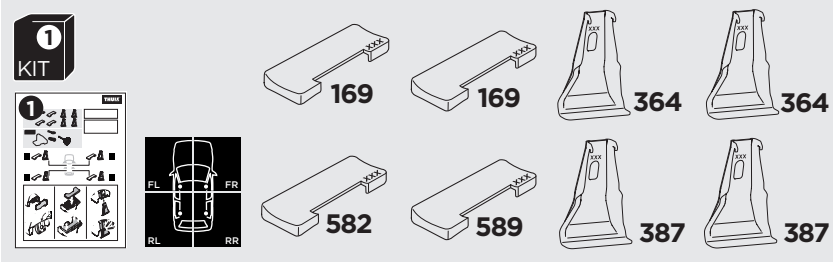
1

Kit 145165

BMW X2, 5-dr SUV, 18-



ISO 11154-E





| | | | | | |
|------------------------------|--------------------|---------------|---------------------|----------------------|-----------------------|
| THULE WingBar Evo | THULE WingBar Edge | THULE WingBar | THULE SquareBar Evo | Evo X (scale) | Edge X (scale) |
| BMW X2, 5-dr SUV, 18- | | | | 52 | K |

| | | | | |
|------------------------------|--------------------|--------------------------|--|--|
| THULE ProBar Evo | THULE SlideBar Evo | X (mm/inch) | | |
| BMW X2, 5-dr SUV, 18- | | 1171 mm / 46 1/8" | | |



| | | | | | |
|------------------------------|--------------------|---------------|---------------------|----------------------|-----------------------|
| THULE WingBar Evo | THULE WingBar Edge | THULE WingBar | THULE SquareBar Evo | Evo Y (scale) | Edge Y (scale) |
| BMW X2, 5-dr SUV, 18- | | | | 43 | K |

| | | | | |
|------------------------------|--------------------|--------------------------|--|--|
| THULE ProBar Evo | THULE SlideBar Evo | Y (mm/inch) | | |
| BMW X2, 5-dr SUV, 18- | | 1081 mm / 42 1/2" | | |

| | | |
|------------------------------|-------------------------|------------------------|
| | W (mm/inch) | Z (mm/inch) |
| BMW X2, 5-dr SUV, 18- | 700 mm / 27 1/2" | 225 mm / 8 7/8" |

