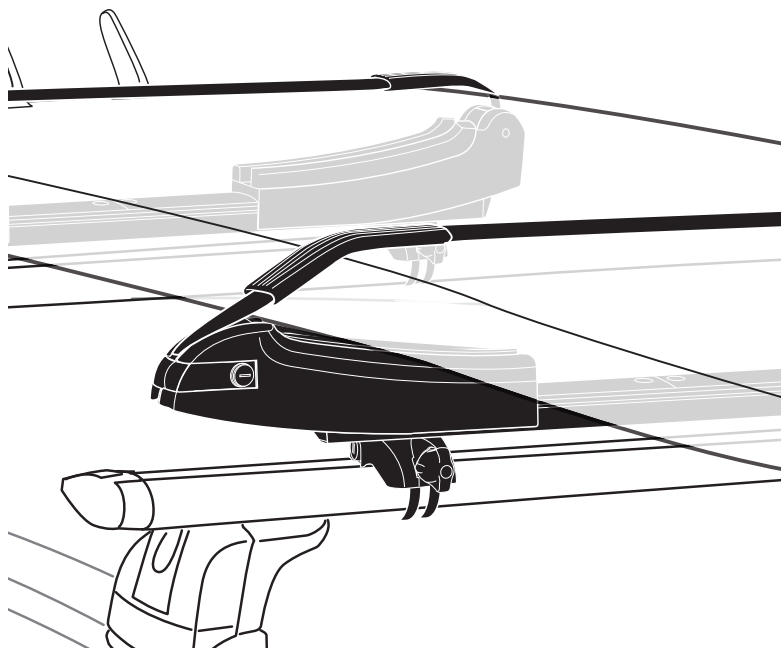
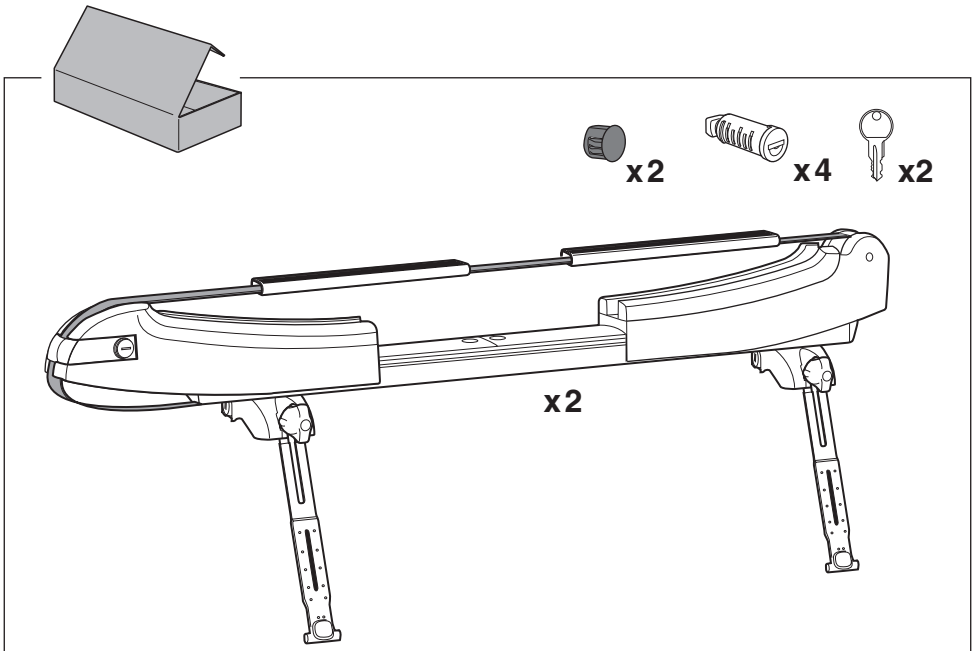
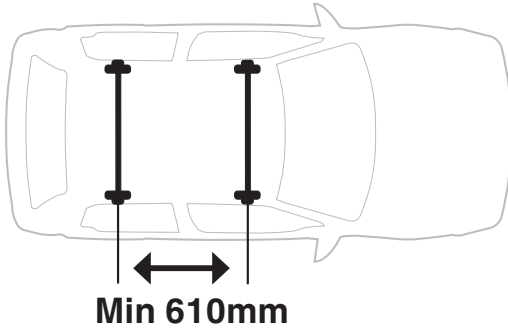
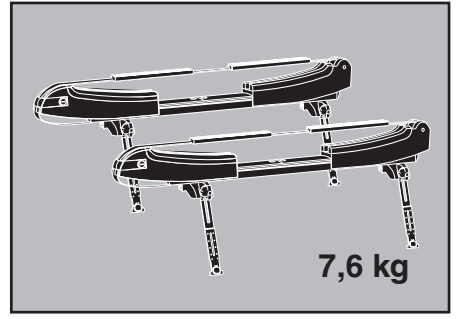
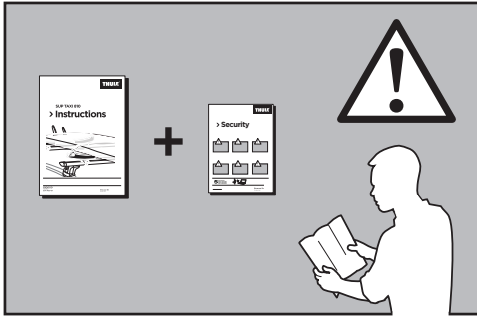
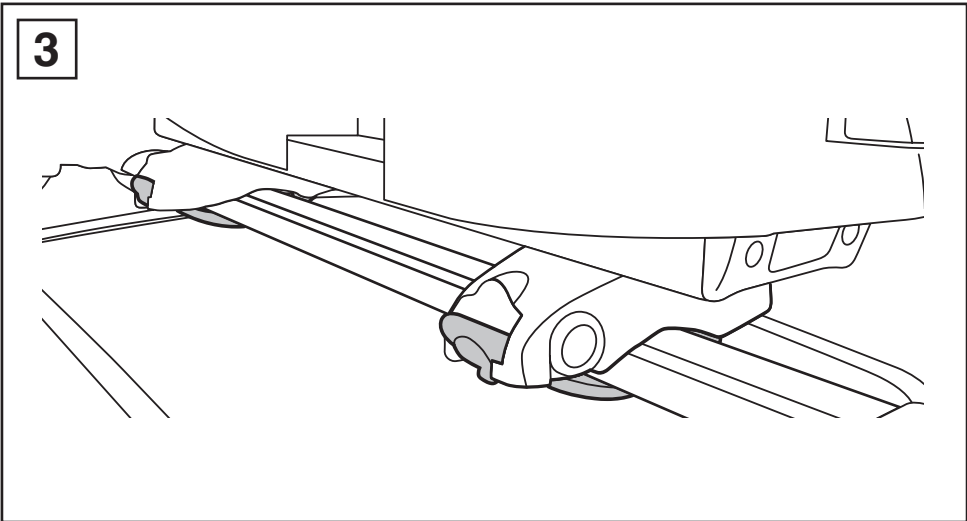
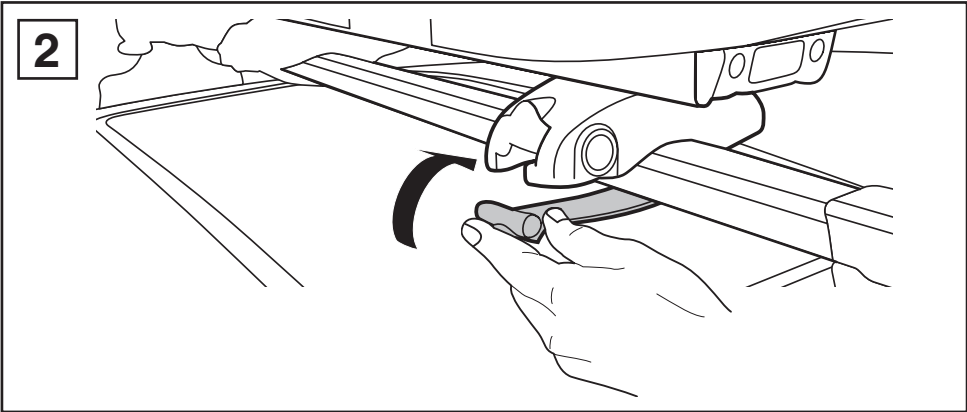
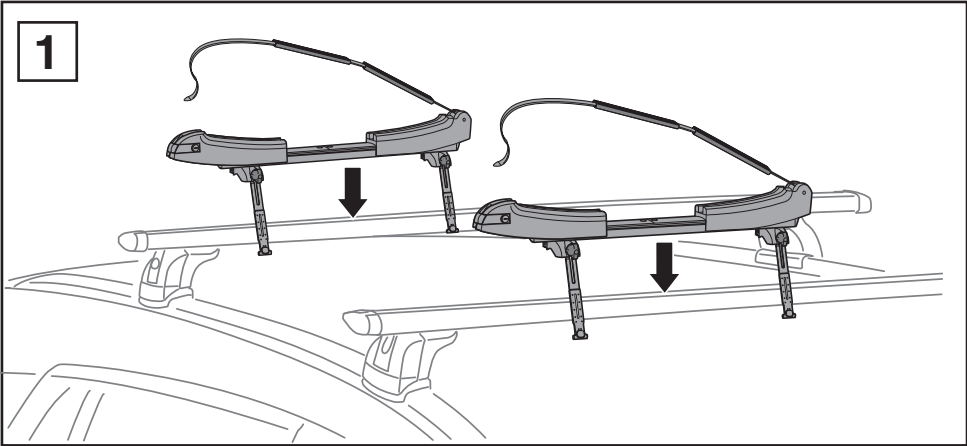


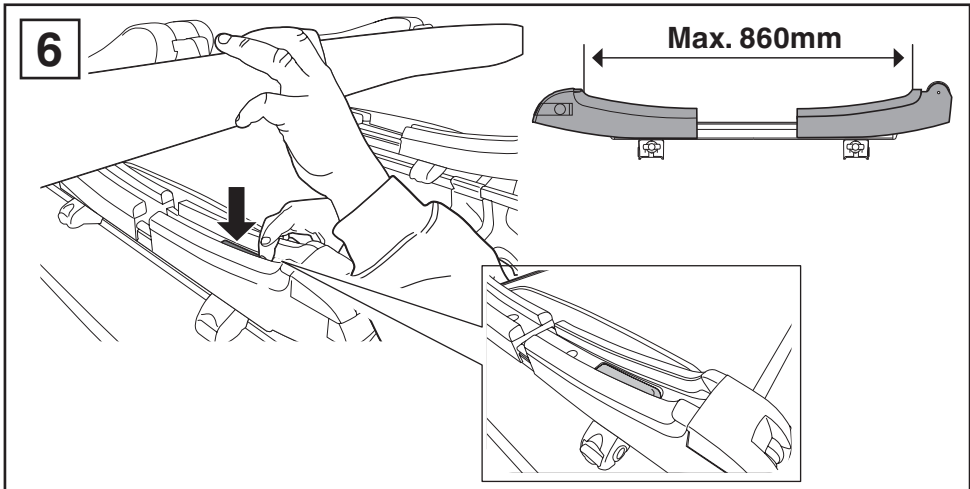
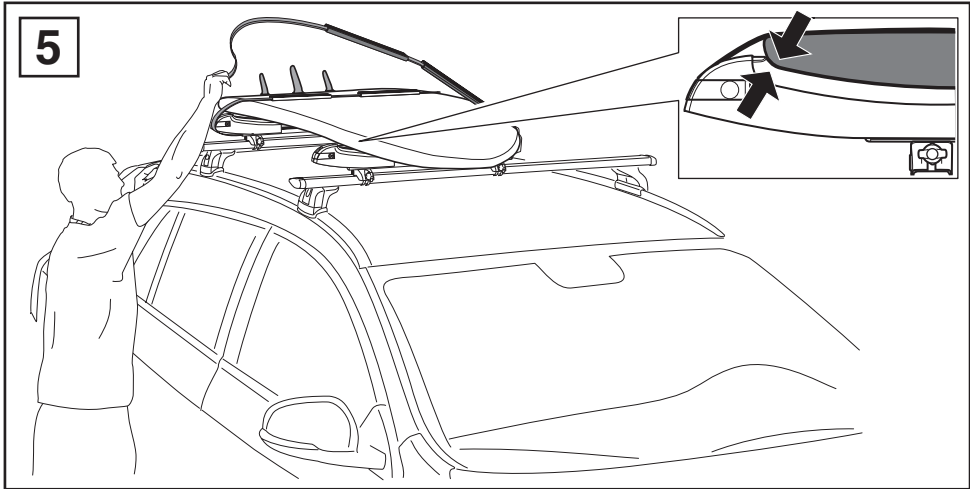
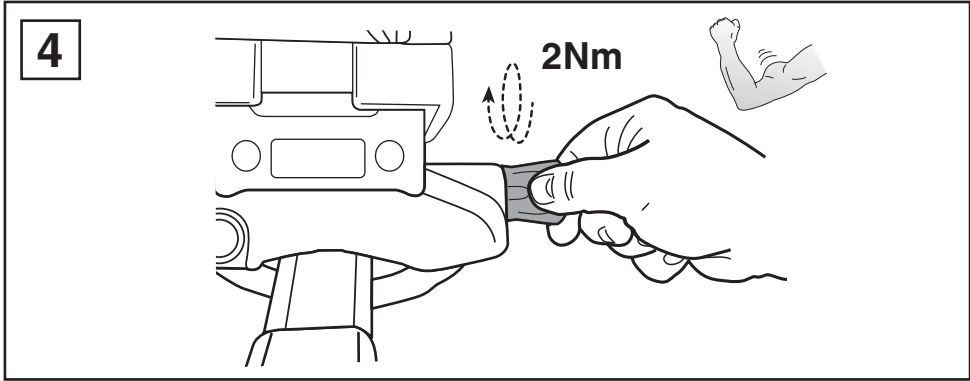
SUP TAXI 810

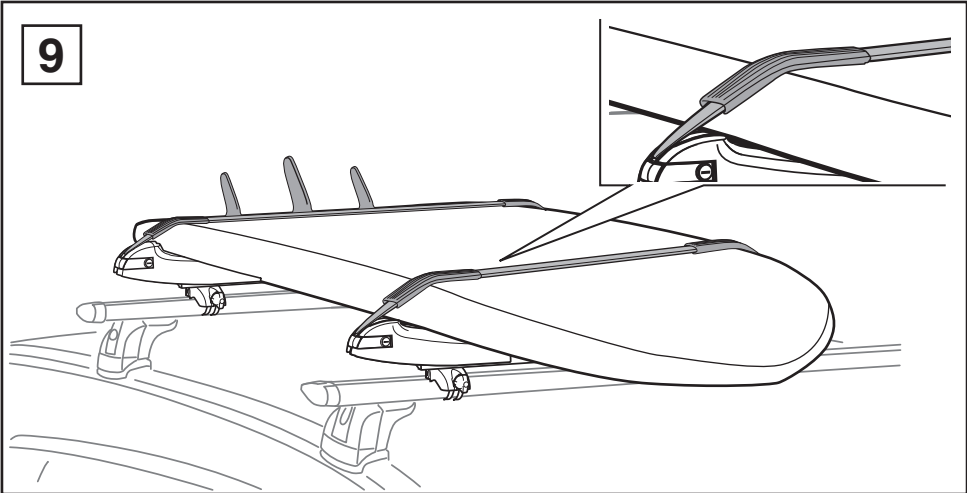
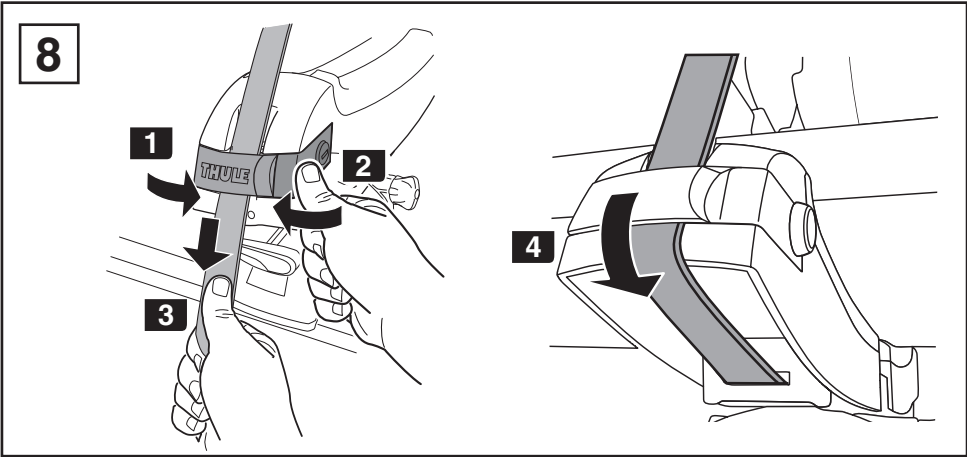
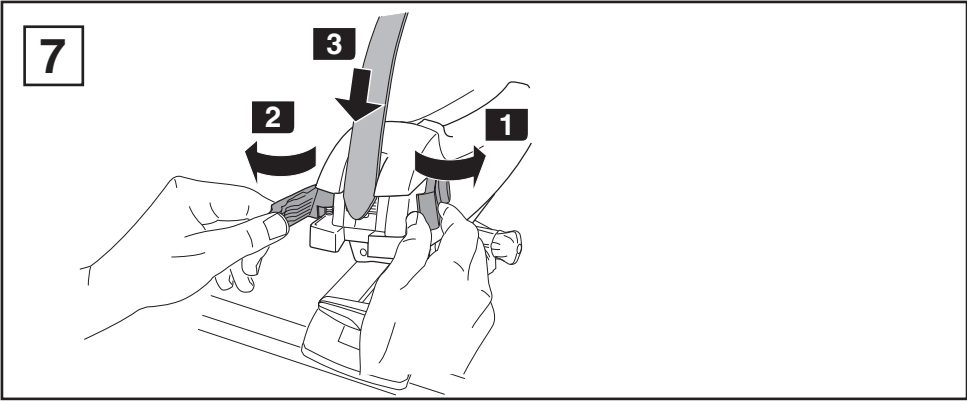
➤ **Instructions**











10



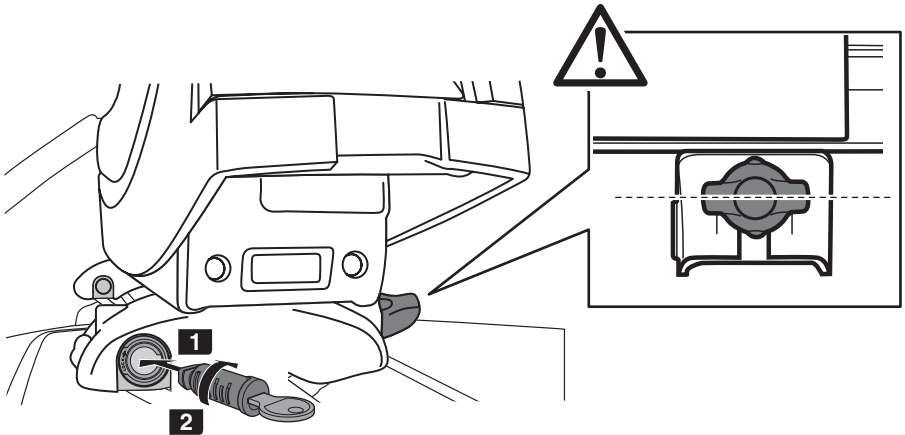
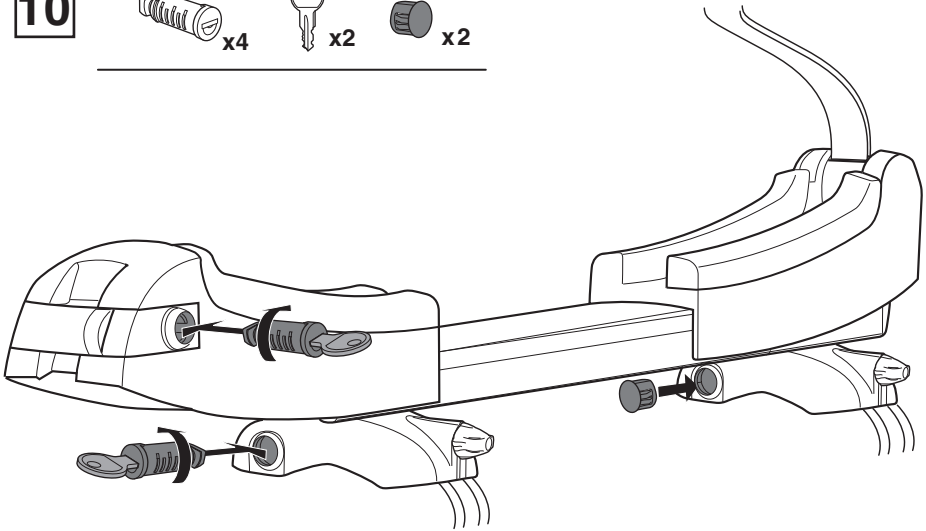
x4



x2



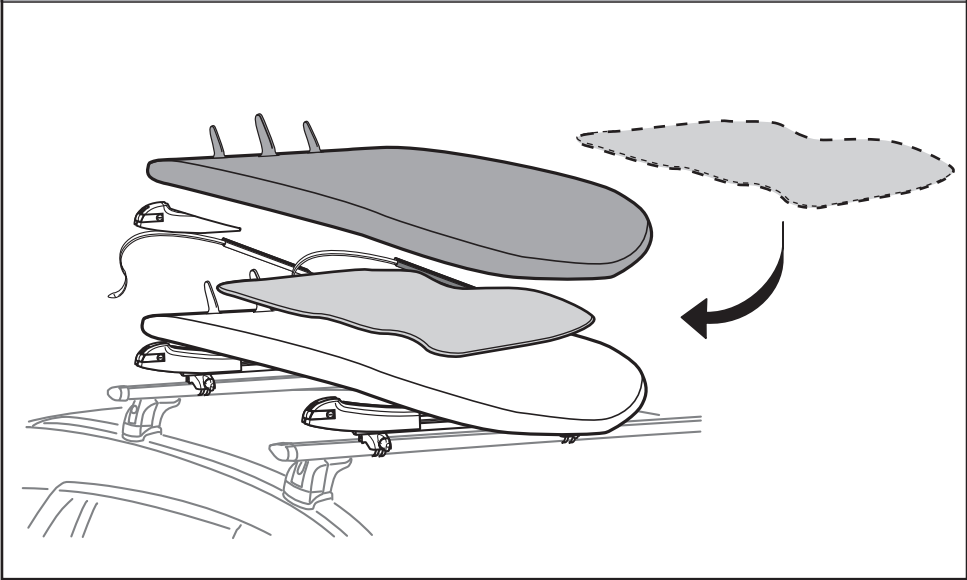
x2

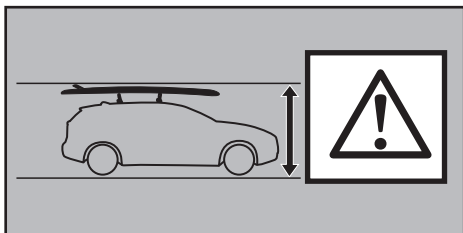
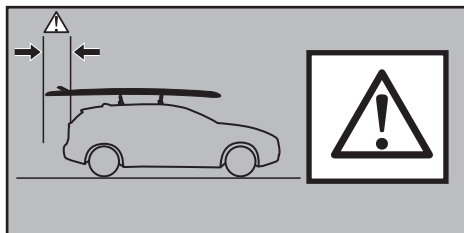
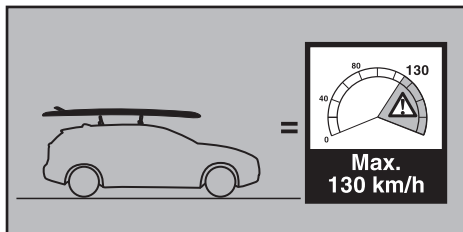
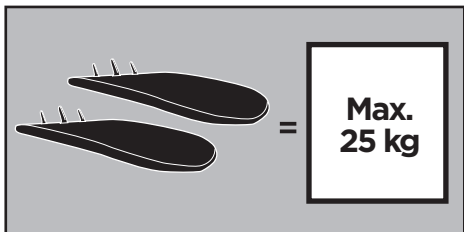


i



=





One Key System
544, 596
588, 452

544 (x4)
596 (x6)
588 (x8)
EUR ASIA 452 (x12)