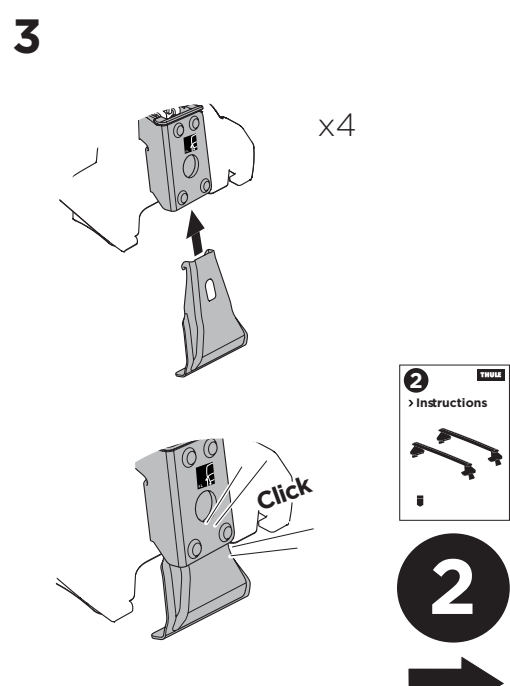
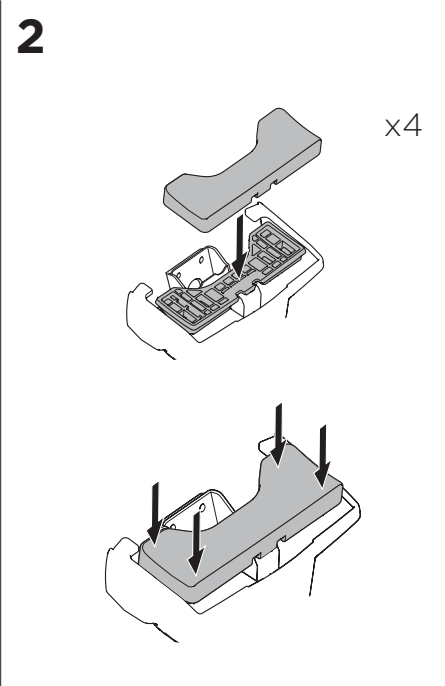
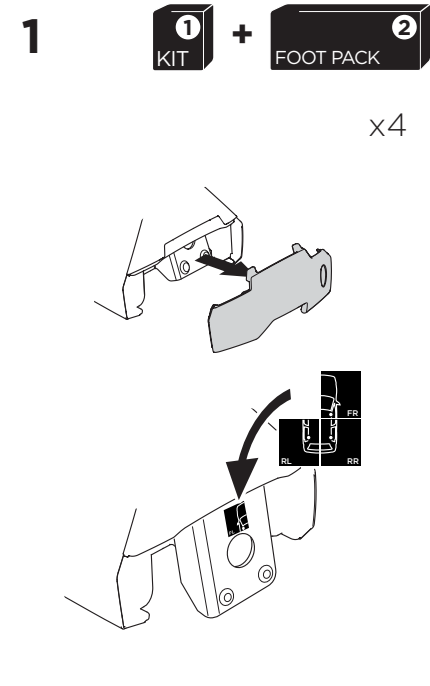
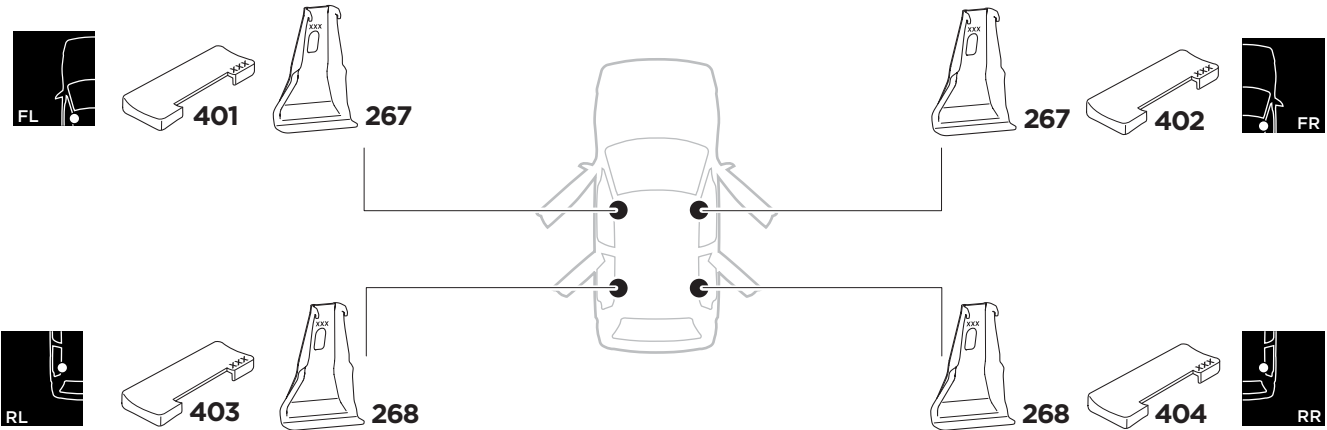
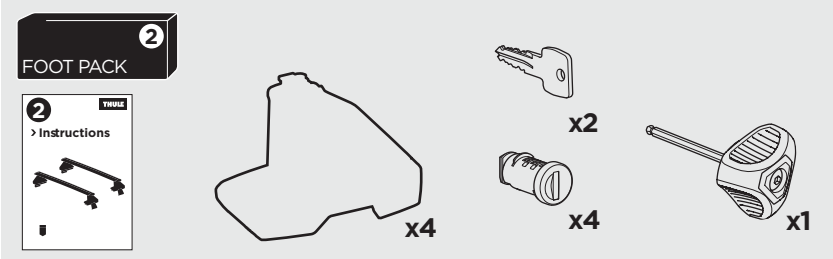
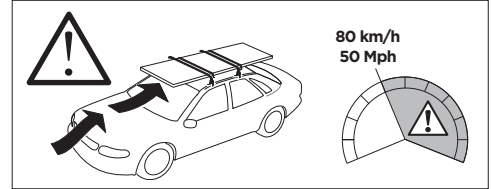
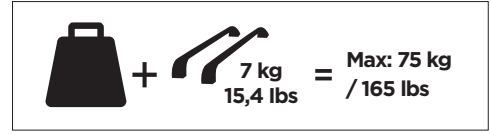
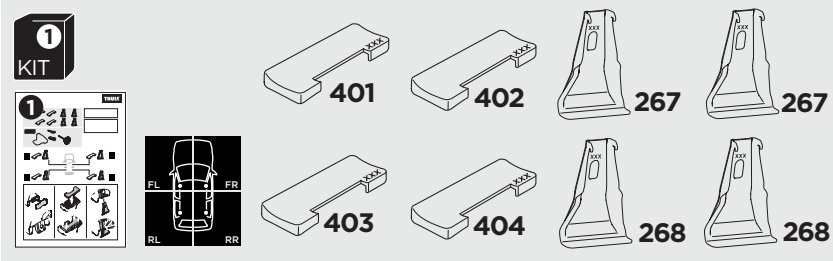


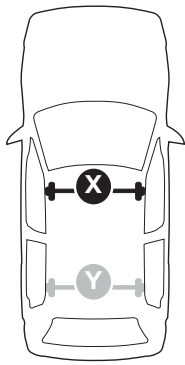
1

Kit 5103

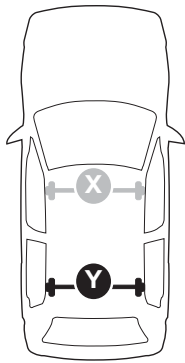
CHEVROLET Malibu, 4-dr Sedan, 16-

ISO 11154-E





| | | | | | |
|--|--------------------|---------------|-----------------|--------------------------|-----------------------|
| THULE WingBar Evo | THULE WingBar Edge | THULE WingBar | THULE SquareBar | Evo X (scale) | Edge X (scale) |
| CHEVROLET Malibu, 4-dr Sedan, 16- | | | | 49,5 | P |
| THULE ProBar | THULE SlideBar | | | | X (mm/inch) |
| CHEVROLET Malibu, 4-dr Sedan, 16- | | | | 1146 mm / 45 1/8" | |



| | | | | | |
|--|--------------------|---------------|-----------------|--------------------------|-----------------------|
| THULE WingBar Evo | THULE WingBar Edge | THULE WingBar | THULE SquareBar | Evo Y (scale) | Edge Y (scale) |
| CHEVROLET Malibu, 4-dr Sedan, 16- | | | | 46,5 | D |
| THULE ProBar | THULE SlideBar | | | | Y (mm/inch) |
| CHEVROLET Malibu, 4-dr Sedan, 16- | | | | 1116 mm / 43 7/8" | |

| | | |
|--|-------------------------|-------------------------|
| | W (mm/inch) | Z (mm/inch) |
| CHEVROLET Malibu, 4-dr Sedan, 16- | 720 mm / 28 3/8" | 260 mm / 10 1/4" |

