



## Thule Rapid System Kit 1173

# > Instructions

MITSUBISHI Pajero Pinin, 3-dr SUV, 98-07

MITSUBISHI Pajero Pinin, 5-dr SUV, 98-07

MITSUBISHI Pajero IO, 3-dr SUV, 98-07

MITSUBISHI Pajero IO, 5-dr SUV, 98-07

MITSUBISHI Pajero TR4, 3-dr SUV, 02-15

MITSUBISHI Pajero TR4, 5-dr SUV, 02-15

The diagram is divided into three main sections:

- Top Left:** A person is shown reading a manual. An arrow points to a manual labeled 'B' (Thule Rapid System Kit 1173) and another labeled 'A' (Thule Rapid System 754). A pencil is shown writing on a form.
- Top Right:** A weight limit calculation:

xx kg	xx lbs	+	7 kg	15,4 lbs	
				3 kg	6,6 lbs
				=	
				Max. 50 kg	Max. 110 lbs
- Bottom Left:** A person is shown reading a manual. Three manuals are shown: 'A' (Thule Rapid System 754), 'B' (Thule Rapid System Kit 1173), and 'Safety'.
- Bottom Right:** A speed limit warning diagram showing a car with a roof rack. A speedometer indicates a maximum speed of 40 km/h (25 Mph) with a warning triangle. Other speed limits shown are 80 km/h (50 Mph) and 130 km/h (80 Mph).

ISO 11154-E

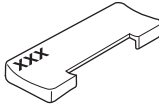
141173

C.2016.0815  
519-1173-02

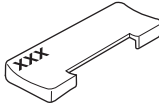
Bring your life  
thule.com



03 x2



04 x2



328 x4



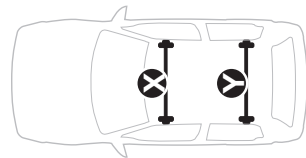
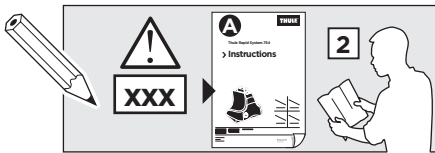
x1



x1

# 1

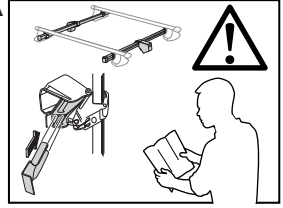
	X (scale)	X (mm)	X (inch)
<b>MITSUBISHI Pajero Pinin</b> , 3-dr SUV, 98-07	38	1031	40 <sup>5</sup> / <sub>8</sub>
<b>MITSUBISHI Pajero Pinin</b> , 5-dr SUV, 98-07	38	1031	40 <sup>5</sup> / <sub>8</sub>
<b>MITSUBISHI Pajero IO</b> , 3-dr SUV, 98-07	38	1031	40 <sup>5</sup> / <sub>8</sub>
<b>MITSUBISHI Pajero IO</b> , 5-dr SUV, 98-07	38	1031	40 <sup>5</sup> / <sub>8</sub>
<b>MITSUBISHI Pajero TR4</b> , 3-dr SUV, 02-15	38	1031	40 <sup>5</sup> / <sub>8</sub>
<b>MITSUBISHI Pajero TR4</b> , 5-dr SUV, 02-15	38	1031	40 <sup>5</sup> / <sub>8</sub>



	Y (scale)	Y (mm)	Y (inch)
<b>MITSUBISHI Pajero Pinin</b> , 3-dr SUV, 98-07	33	981	38 <sup>5</sup> / <sub>8</sub>
<b>MITSUBISHI Pajero Pinin</b> , 5-dr SUV, 98-07	33	981	38 <sup>5</sup> / <sub>8</sub>
<b>MITSUBISHI Pajero IO</b> , 3-dr SUV, 98-07	33	981	38 <sup>5</sup> / <sub>8</sub>
<b>MITSUBISHI Pajero IO</b> , 5-dr SUV, 98-07	33	981	38 <sup>5</sup> / <sub>8</sub>
<b>MITSUBISHI Pajero TR4</b> , 3-dr SUV, 02-15	33	981	38 <sup>5</sup> / <sub>8</sub>
<b>MITSUBISHI Pajero TR4</b> , 5-dr SUV, 02-15	33	981	38 <sup>5</sup> / <sub>8</sub>

2

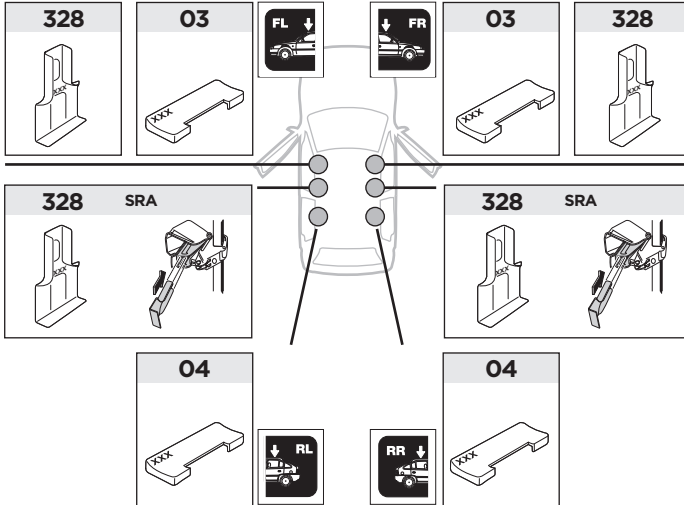
SRA



MITSUBISHI Pajero Pinin, 3-dr SUV, 98-07

MITSUBISHI Pajero IO, 3-dr SUV, 98-07

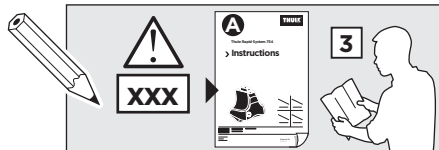
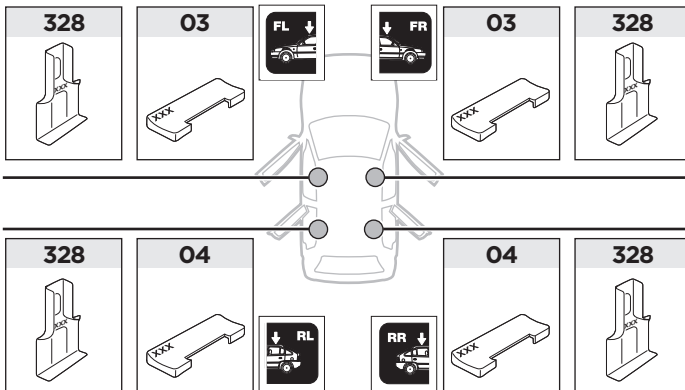
MITSUBISHI Pajero TR4, 3-dr SUV, 02-15



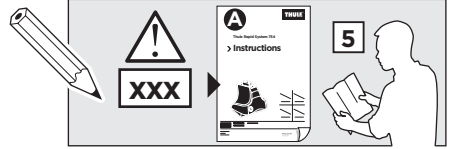
MITSUBISHI Pajero Pinin, 5-dr SUV, 98-07

MITSUBISHI Pajero TR4, 5-dr SUV, 02-15

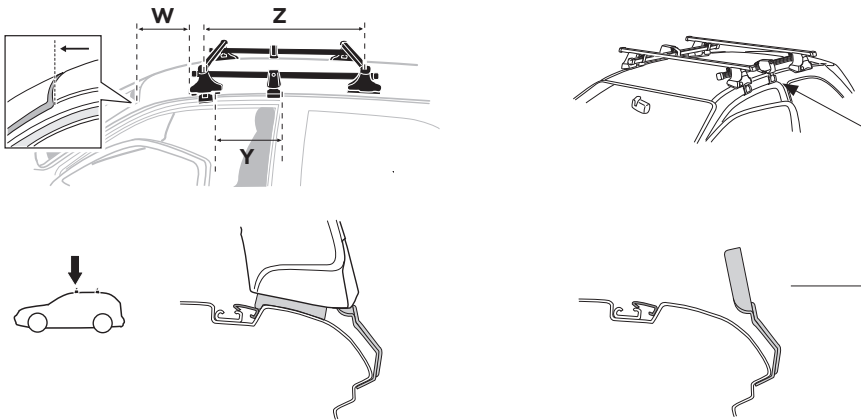
MITSUBISHI Pajero IO, 5-dr SUV, 98-07



**3**



	W (mm)	Z (mm)	Y (mm)	W (inch)	Z (inch)	Y (inch)
<b>MITSUBISHI Pajero Pinin</b> , 3-dr SUV, 98-07	<b>250</b>	<b>700</b>	<b>355</b>	<b>9 7/8</b>	<b>27 1/2</b>	<b>14</b>
<b>MITSUBISHI Pajero IO</b> , 3-dr SUV, 98-07	<b>250</b>	<b>700</b>	<b>355</b>	<b>9 7/8</b>	<b>27 1/2</b>	<b>14</b>
<b>MITSUBISHI Pajero TR4</b> , 3-dr SUV, 02-15	<b>250</b>	<b>700</b>	<b>355</b>	<b>9 7/8</b>	<b>27 1/2</b>	<b>14</b>



	W (mm)	Z (mm)	W (inch)	Z (inch)
<b>MITSUBISHI Pajero Pinin</b> , 5-dr SUV, 98-07	<b>250</b>	<b>700</b>	<b>9 7/8</b>	<b>27 1/2</b>
<b>MITSUBISHI Pajero IO</b> , 5-dr SUV, 98-07	<b>250</b>	<b>700</b>	<b>9 7/8</b>	<b>27 1/2</b>
<b>MITSUBISHI Pajero TR4</b> , 5-dr SUV, 02-15	<b>250</b>	<b>700</b>	<b>9 7/8</b>	<b>27 1/2</b>

