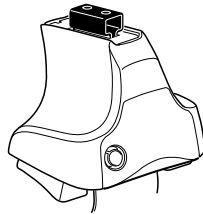


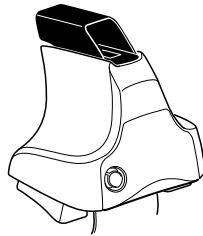
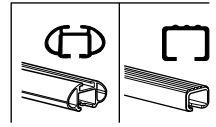
Kit 1233

MERCEDES C-Class, 3-dr Coupé, 01-07 / *02-04, 05-07

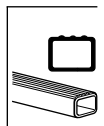
*North America



754 Rapid System
480R Rapid Traverse (North America)



480 Traverse (North America)



754 Rapid System
480R Rapid Traverse (North America)

480 Traverse (North America)

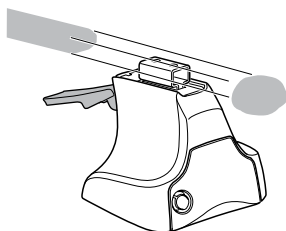
1



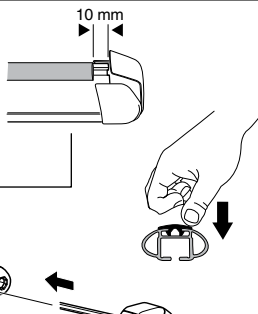
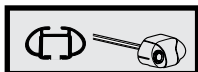
2



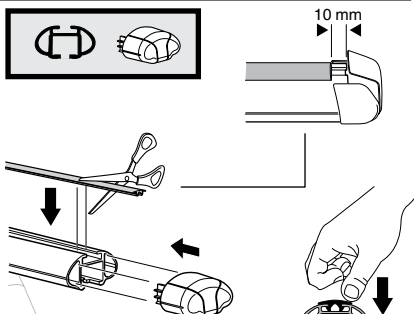
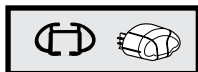
754 Rapid System
480R Rapid Traverse
(North America)



x4



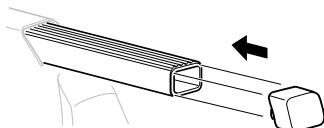
x4



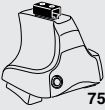
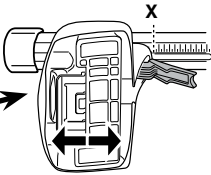
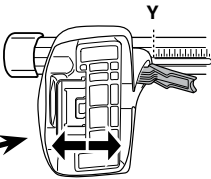
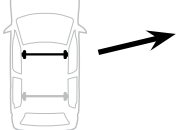
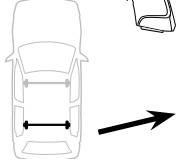
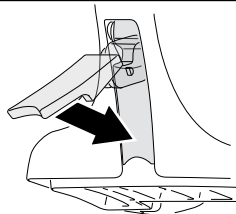
x4



480 Traverse
(North America)

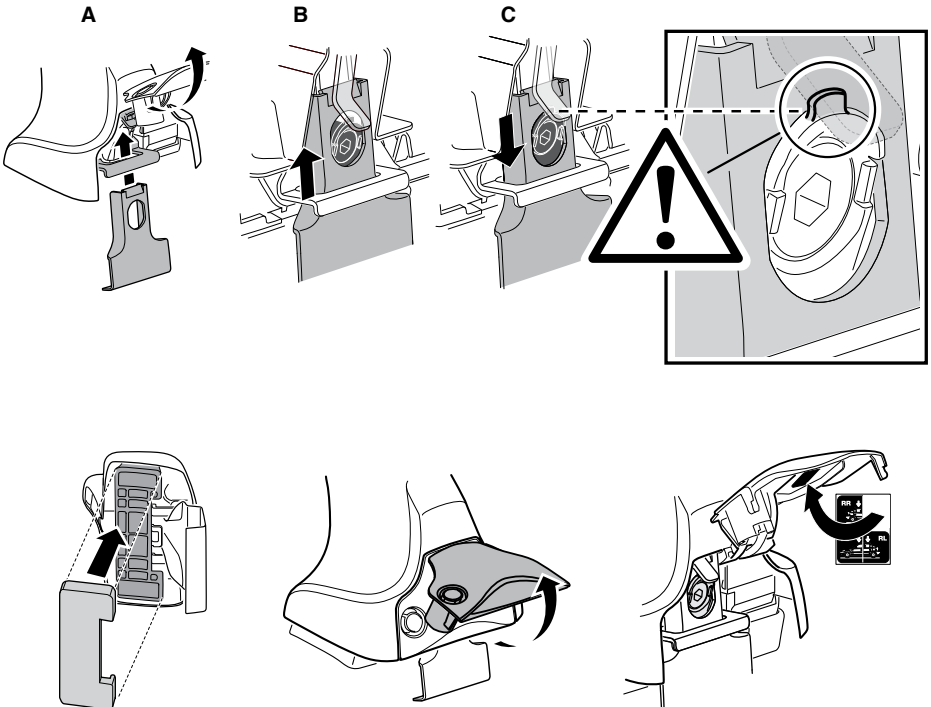
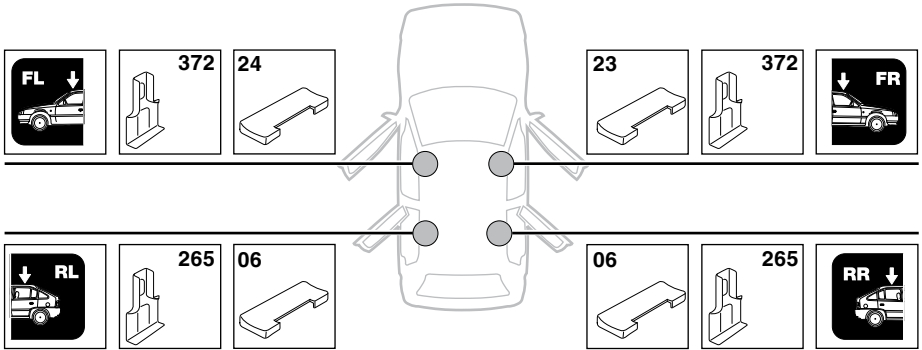


x4

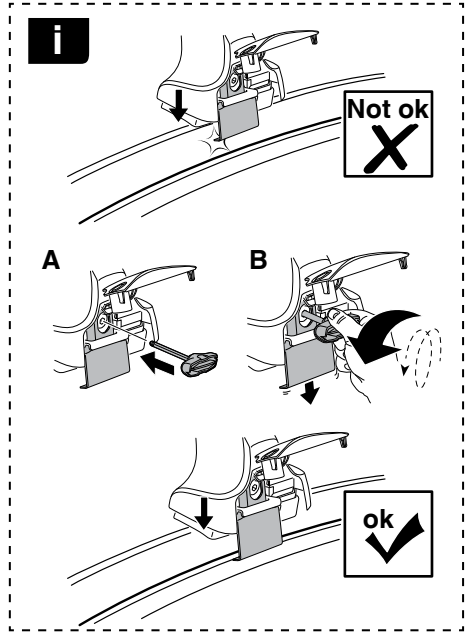
3**754** Rapid System**X****MERCEDES C-Class, 3-dr Coupé, 01-07 / *02-04, 05-07****31,5****Y****MERCEDES C-Class, 3-dr Coupé, 01-07 / *02-04, 05-07****28,5****3****480R** Rapid Traverse**480** Traverse**(North America)****X inch****X mm****MERCEDES C-Class, 3-dr Coupé, 01-07 / *02-04, 05-07****38"****966 mm****Y inch****Y mm****MERCEDES C-Class, 3-dr Coupé, 01-07 / *02-04, 05-07****36 7/8"****936 mm****4**

5

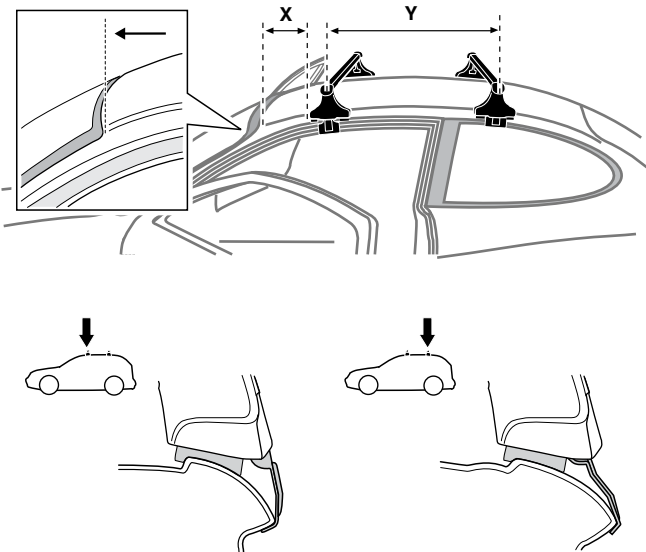
MERCEDES C-Class, 3-dr Coupé, 01-07 / *02-04, 05-07



6



	X mm	Y mm	X inch	Y inch
MERCEDES C-Class, 3-dr Coupé, 01-07 / *02-04, 05-07	175 mm	650 mm	6 ⁷ / ₈ "	25 ⁵ / ₈ "



7



GB/US Tighten alternately
 D Die Schrauben abwechselnd anziehen
 F Serrer alternativement chaque côté
 NL Afwisselend aan de linker- en de rechterkant aandraaien
 I Alternare il serraggio delle viti
 E Apertar alternativamente
 PT Aperte alternadamente
 S Dra åt växelvis
 FIN Kierrä vuorotellen
 EST Pinguldage vaheldumisi
 LAT Pieļieciet pamišus
 LIT Užsukinėkite pakaitomis
 PL Śruby dokręcaj naprzemiennie
 RU Затягивайте попеременно

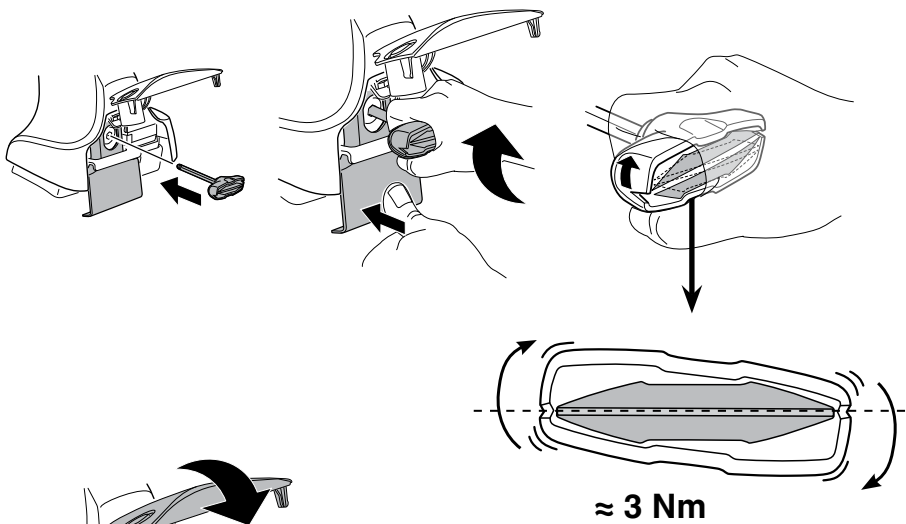
CZ Pokręťta bagażnika dokręcaj dokręcaj naprzemiennie.
 SK Dofahajte striedavo
 SLO Privijajte izmenično.
 HR Naizmjerno zategnite
 HU Egymástól függetlenül szorítandó
 GR Σφιγίγες εναλλάξ
 TR Dönüşümlü sıkın

中文 交替拧紧

한국어 번갈아 가며 조이십시오.

日本語 交互に締め付けてください。

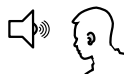
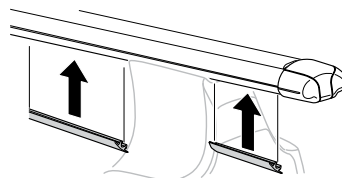
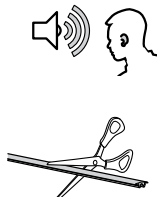
ไทย ชันในแบบสลับ

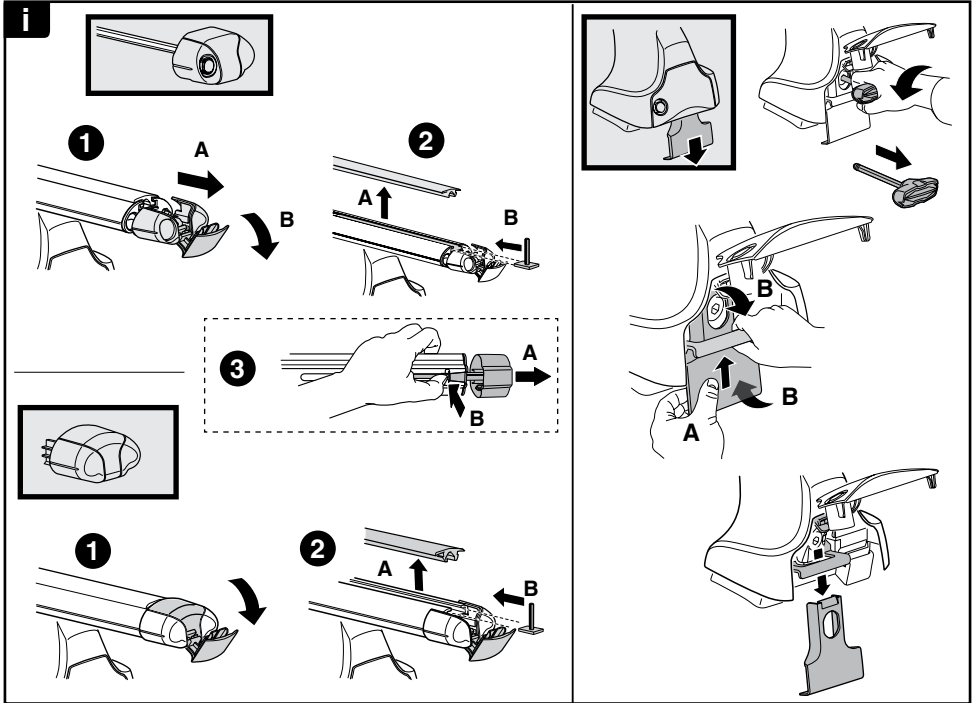


8

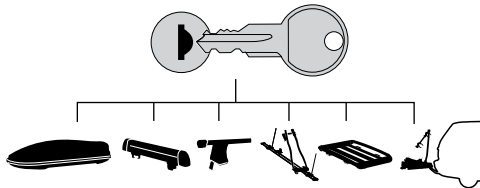


x1
17 mm





THULE
SWEDEN
**ONE
KEY
SYSTEM**



544 (x4)

596 (x6)

588 (x8)

NA **510** (x10)

EUR **452** (x12)

ASIA

