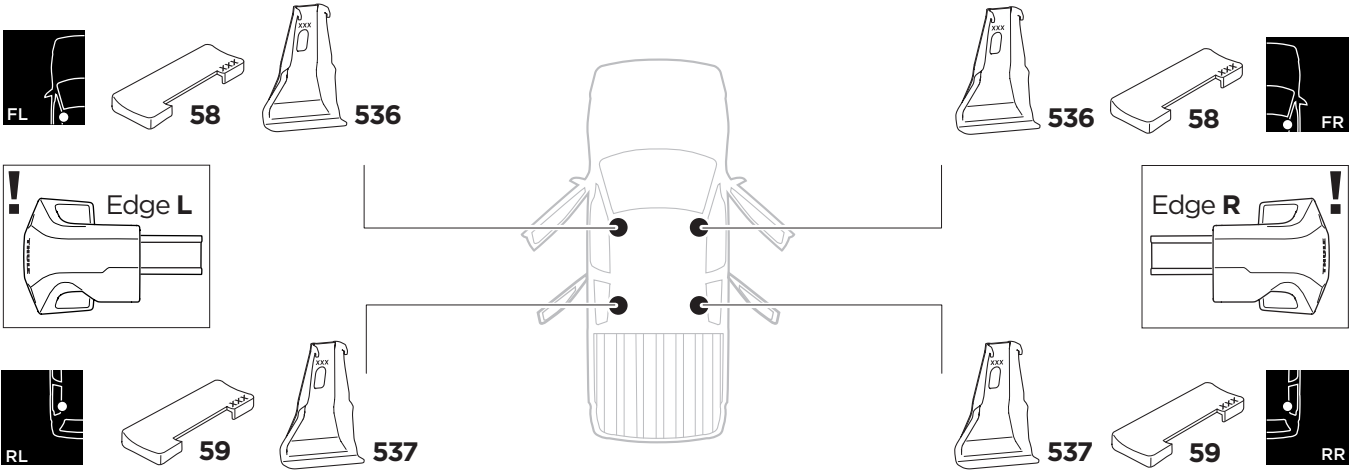
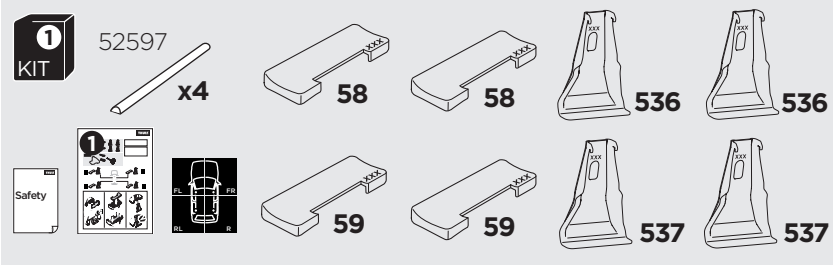


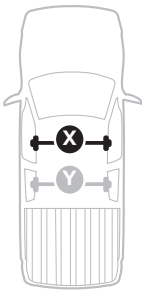
1

Kit 145317

ISUZU D-Max Crew Cab, 4-dr Pickup, 20-

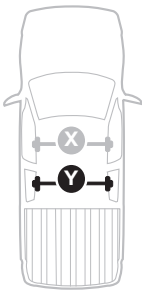
ISO 11154-E





| | | | | | |
|--|--------------------|---------------|---------------------|------------------|-------------------|
| THULE WingBar Evo | THULE WingBar Edge | THULE WingBar | THULE SquareBar Evo | Evo X (scale) | Edge X (scale) |
| ISUZU D-Max Crew Cab, 4-dr Pickup, 20- | | | | 43,5 | J |

| | | | | | |
|--|--------------------|--|--|-------------------|--|
| THULE ProBar Evo | THULE SlideBar Evo | | | X (mm/inch) | |
| ISUZU D-Max Crew Cab, 4-dr Pickup, 20- | | | | 1086 mm / 42 3/4" | |



| | | | | | |
|--|--------------------|---------------|---------------------|------------------|-------------------|
| THULE WingBar Evo | THULE WingBar Edge | THULE WingBar | THULE SquareBar Evo | Evo Y (scale) | Edge Y (scale) |
| ISUZU D-Max Crew Cab, 4-dr Pickup, 20- | | | | 43,5 | J |

| | | | | | |
|--|--------------------|--|--|-------------------|--|
| THULE ProBar Evo | THULE SlideBar Evo | | | Y (mm/inch) | |
| ISUZU D-Max Crew Cab, 4-dr Pickup, 20- | | | | 1086 mm / 42 3/4" | |

| | | |
|--|------------------|-----------------|
| | W (mm/inch) | Z (mm/inch) |
| ISUZU D-Max Crew Cab, 4-dr Pickup, 20- | 800 mm / 31 1/2" | 190 mm / 7 1/2" |

