



A ED0052
17mm Hex Head/
torque wrench



B ED0056



C ED0054
17mm Hex Head/
torque wrench



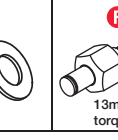
K



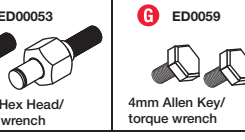
D ED0006



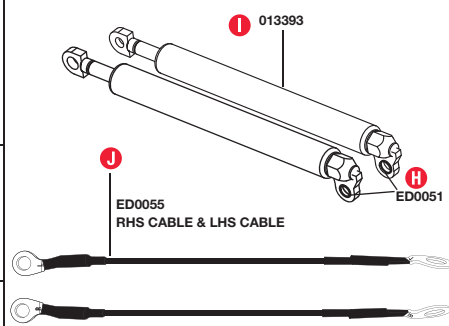
E ED0308



F ED00053
13mm Hex Head/
torque wrench



G ED0059
4mm Allen Key/
torque wrench



EZDown Instruction

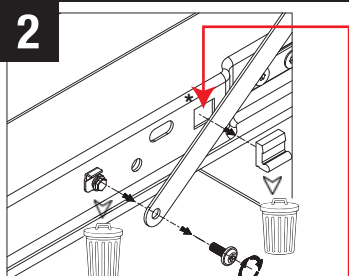
HILUX/REVO 2016 - ED0050

1 RHS and LHS are determined when sitting in the Drivers side of the Vehicle.

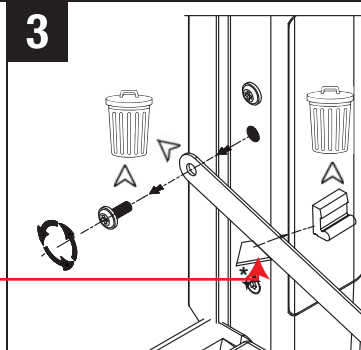
Fit RHS Kit first
Steps 2-13 then repeat on LHS.

NB: Locktite all fixing/mounting points where applicable.

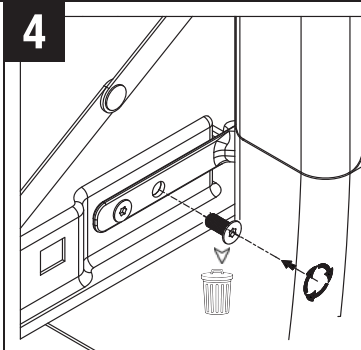
After full fitment remove labels from the cables.



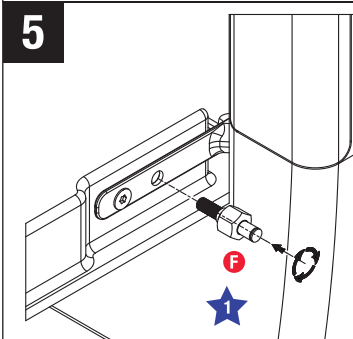
Tooling: Phillips head screw driver No 3



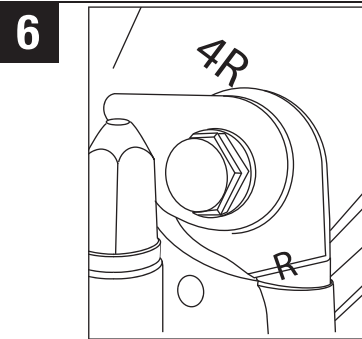
Tooling: Phillips head screw driver No 3. If OEM Bolt is very tight apply heat to remove e.g Heat Gun



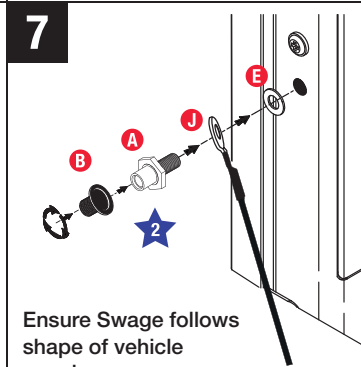
Tooling: Torx Bit T40



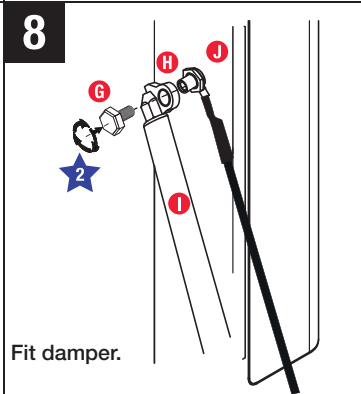
Tooling: Torx Bit T40



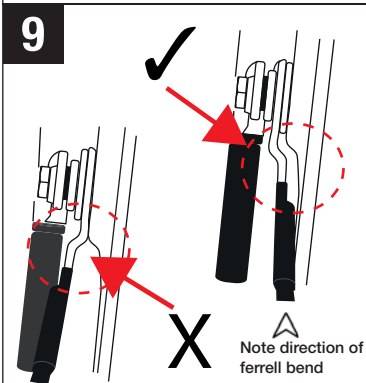
Fit RHS first as indicated on stickers, then remove stickers



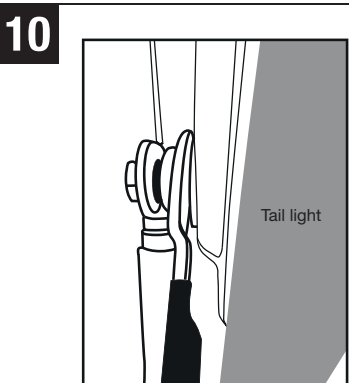
Ensure Swage follows shape of vehicle panel.



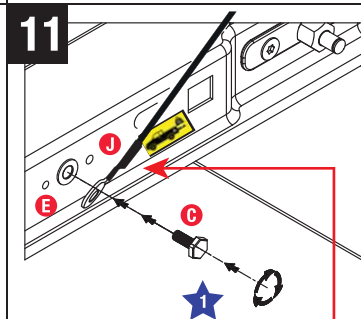
Fit damper.



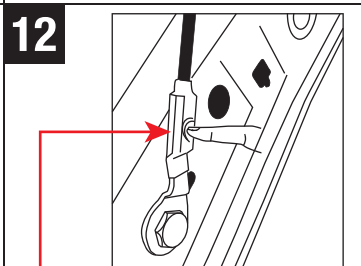
Note direction of ferrule bend



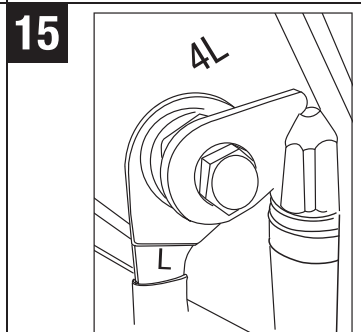
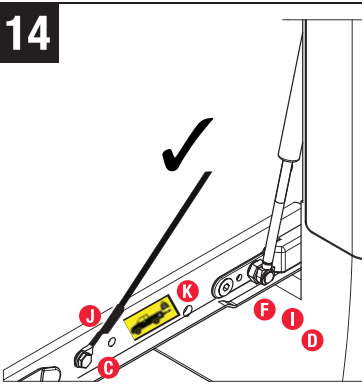
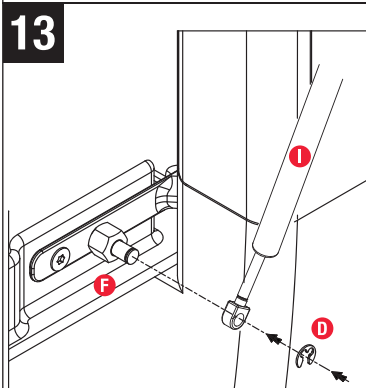
Tail light



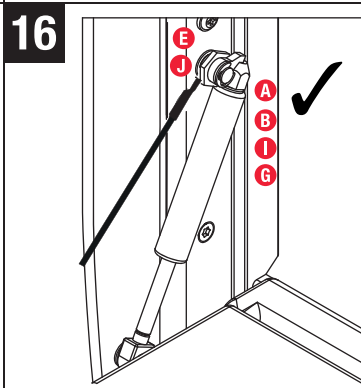
Ensure Bottom Ferrule swage is facing toward the Tailgate.



If Cable does not align automatically and cable protrudes when bin is closed, place pressure onto Ferrule and press toward Vehicle Tailgate.



Fit LHS indicated on stickers following steps 2 - 13.



FITTING CODE	MANUFACTURER	MODEL TYPE	YEAR	STOCKIST	PRODUCT	REVISION	LABOUR	DATE	PAGE
ED0050	TOYOTA	REVO	2016 onwards	GENERAL USE	EZDOWN	6	25min	19/01/2018	1
TORQUE - N.m	★ 27N.m±2N.m			★ 15N.m±2N.m				www.ezdown.co.za	

NB: After installation please close tailgate gently to ensure that there is no interference with any hardware.

IMPORTANT:

No liability will be incurred by Industrial Specialised Applications company, for injury, death, or property damage caused by a product which has been set up, operated, and/or installed contrary to EZDown installation guide/manual, or which has been subjected to misuse, negligence, or accident, or which has been repaired or altered by anyone other than Industrial Specialised Applications, or which has been used in a manner or for a purpose for which the product was not designed.

