

1

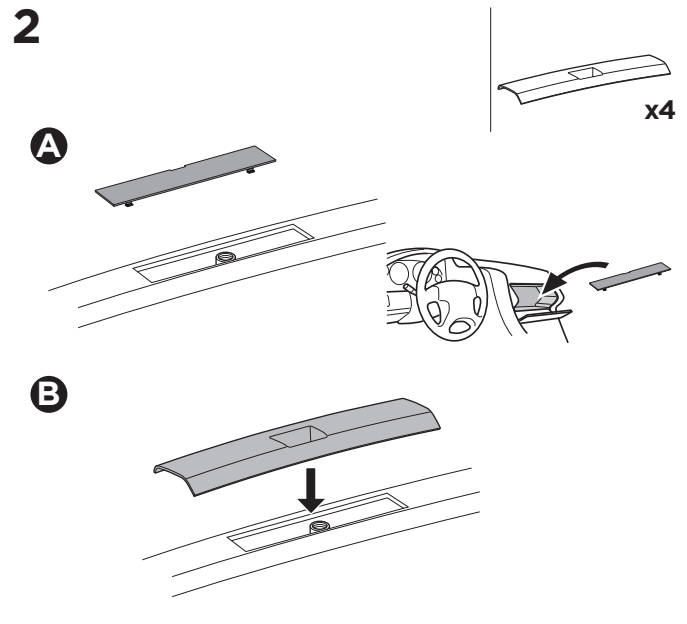
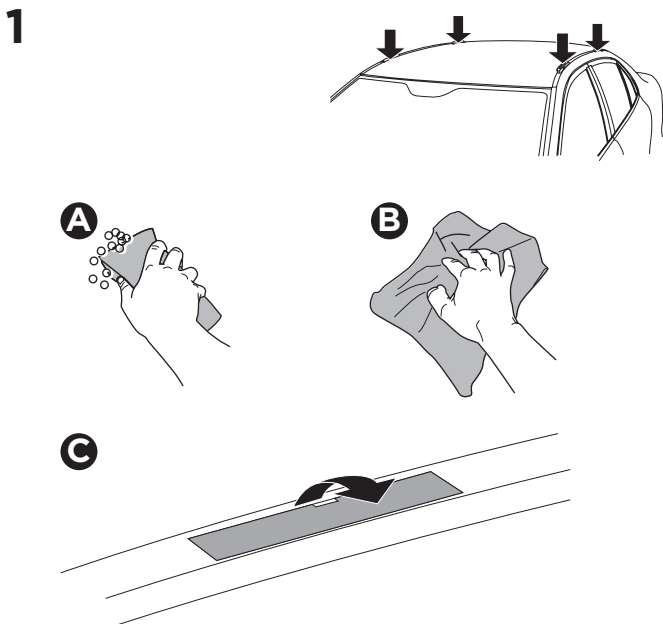
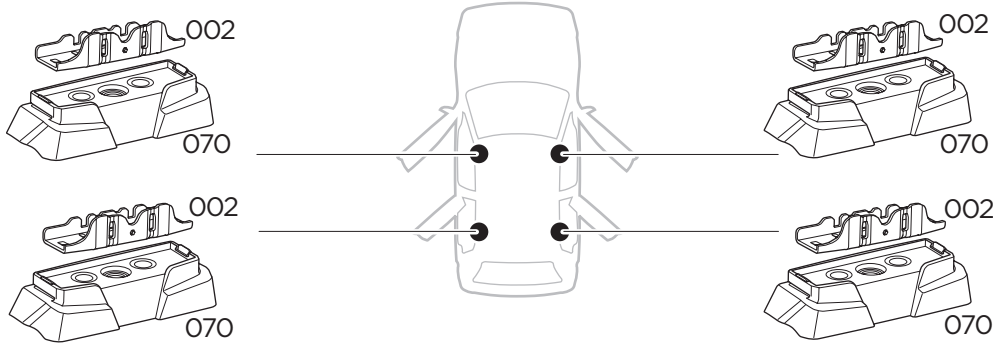
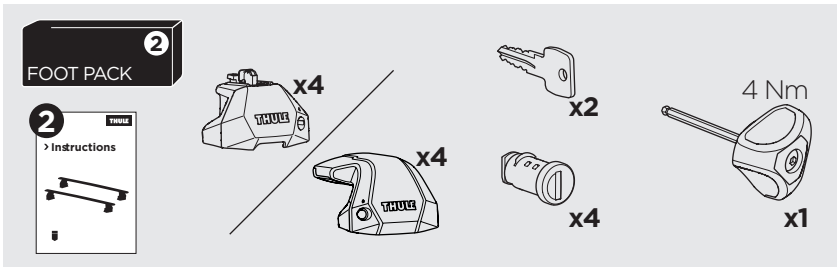
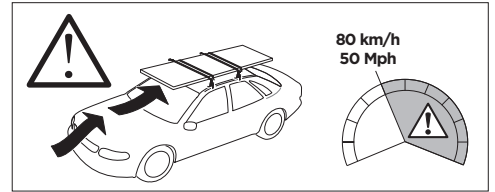
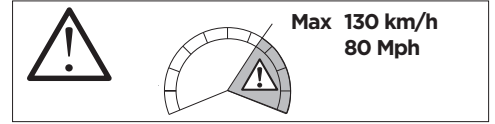
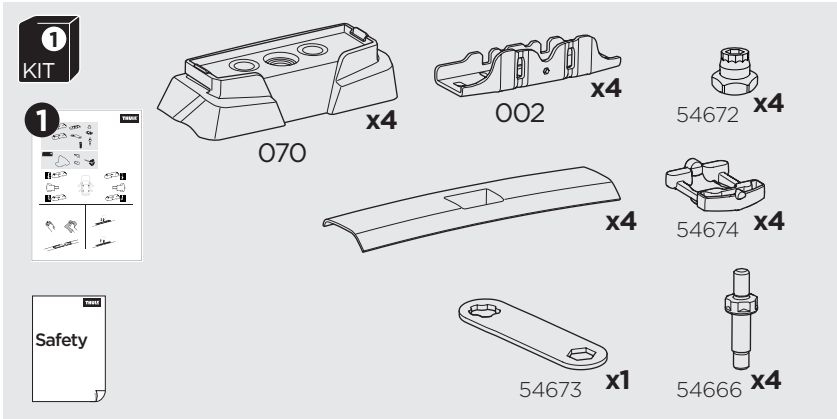
Kit 187020

TOYOTA Avensis, 5-dr Estate, 09-18

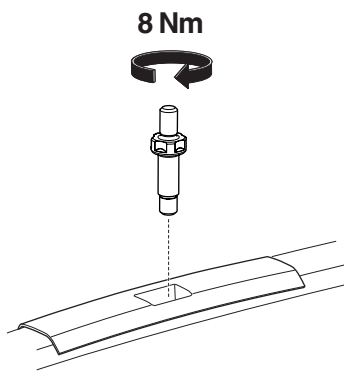


ISO 11154-E

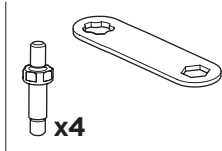
This kit is only for vehicles with fixpoint mounting.



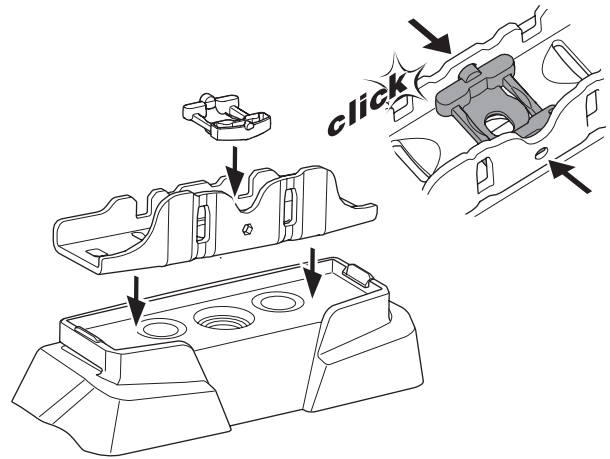
3



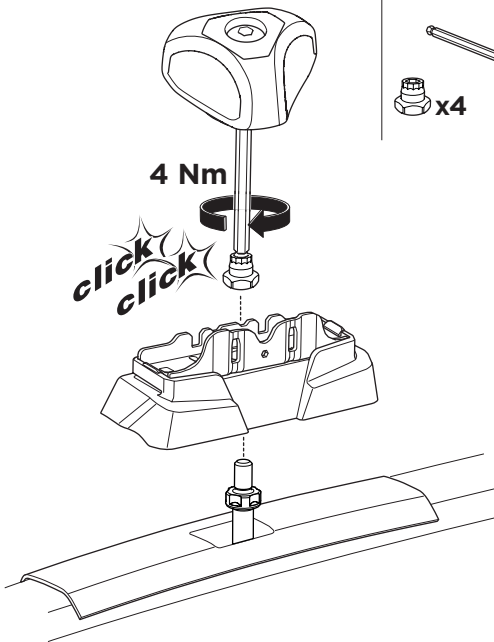
8 Nm



4

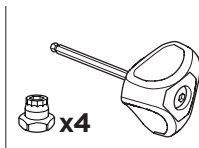


5



4 Nm

click
click



6

