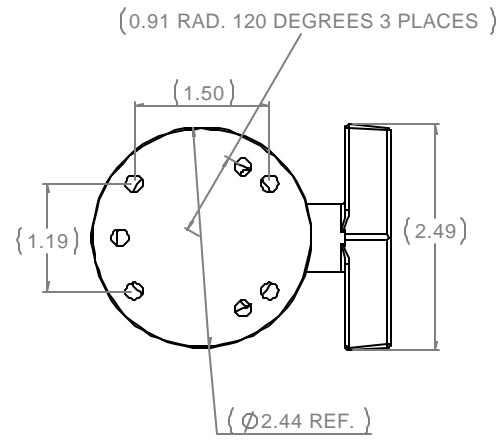
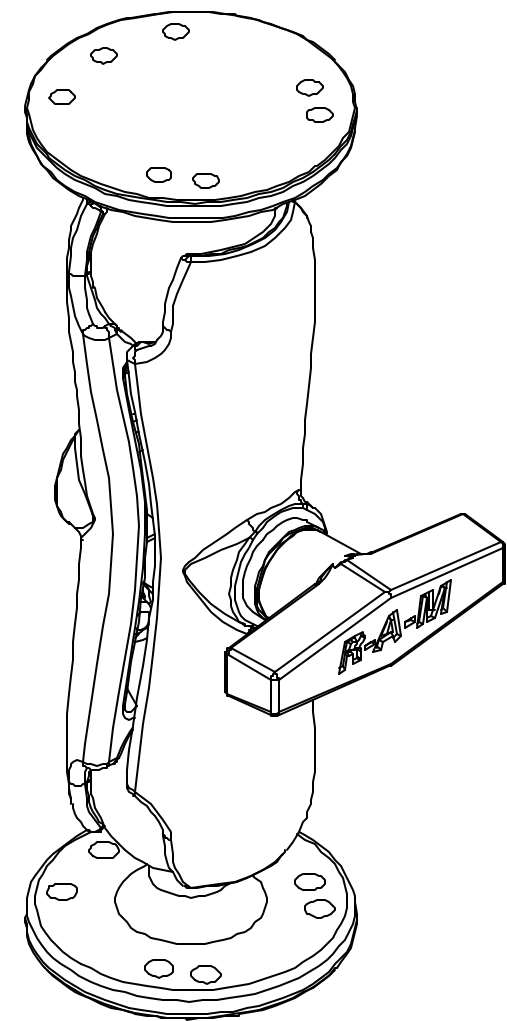
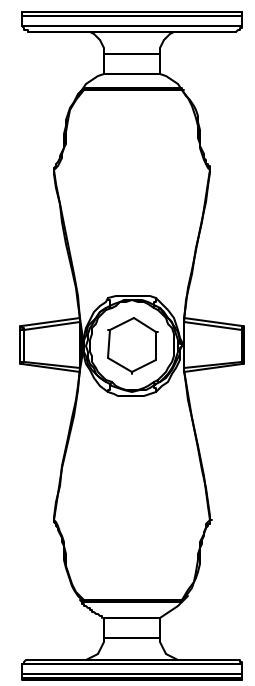
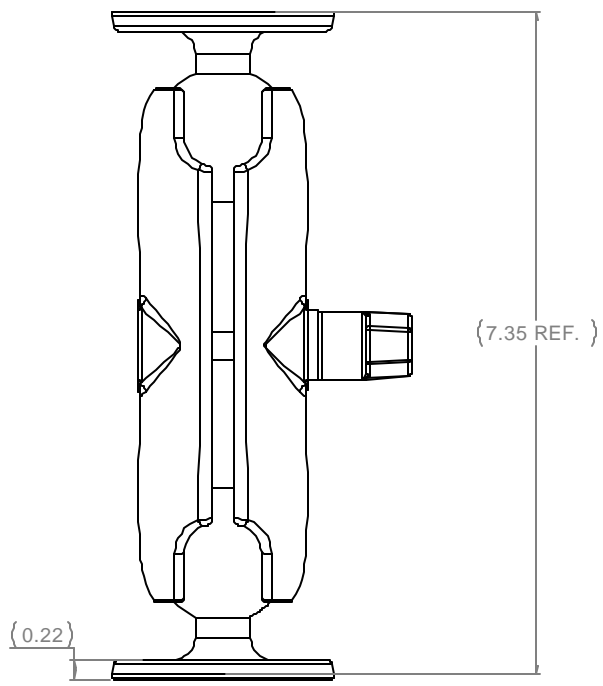


THE INFORMATION CONTAINED IN THIS DRAWING IS THE SOLE PROPERTY OF NATIONAL PRODUCTS INC. ANY REPRODUCTION IN PART OR WHOLE WITHOUT THE WRITTEN PERMISSION OF NATIONAL PRODUCTS INC. IS PROHIBITED.

| REV | DESCRIPTION | REVISION | DATE | APPROVED |
|-----|-------------|----------|------|----------|
| | | | | |
| | | | | |
| | | | | |



| | | | |
|---|---|------------------------|--|
| UNLESS OTHERWISE SPECIFIED DIMENSIONS ARE IN INCHES TOLERANCES ARE: FRACTIONS DECIMALS ANGLES . . . 1/32 . . . XXX - .00 . . . ± DIA. . . . XXX - .000 | CAD GENERATED DRAWING DO NOT MANUALLY UPDATE | NATIONAL PRODUCTS INC. | |
| | CHECKED JDC | DATE 01/19/01 | RAM MOUNT WITH 2.43" DIA. BASES AND 1 1/2" DIA. RUBBER BALLS |
| | MATERIAL ALUMINUM | REV 01 | |
| | FINISH BLACK POWDER COAT | DRAWING NO. RAM-101 | SHEET NO. 01 |