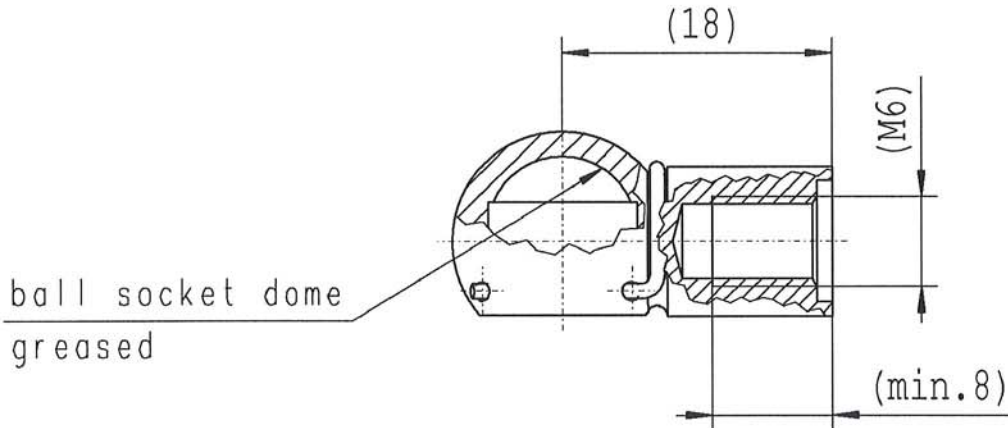


The print-out is not subject to the modification service.

Intended for internal and supplier use

EN



Inox

Environmental protection acc. to STAB-Spec. 10005649

DE: X	EN: X	ES:	IT:	PR:	FR:	CAD created document; handwritten changes not permitted
new	INITIAL RELEASE	representation range of "greasing"				
old	-	§				
Field	-	C, D/2-4				
Date/Name	07.07.2003 Süß	03.11.2003 Süß				
Chg. No.	528695	532611				
Rev.	0	1				

Material: stainless steel	All dimensions are in mm	Identification of important characteristics Dimensions without tolerances DIN ISO 2768-mK	Drawn by	Date	Name
	Scale: (Original DIN A4) 2:1		Checked	07.07.2003	Süß
Edge tolerances acc. to DIN-ISO 13715	We reserve all rights to this document, to any patents or patent registrations related hereto, and to the duplication, retransmission by third parties and misc. use. Any use of this document is not permitted without the written consent of STABILUS.		Approved	03.11.2003	Maury
Surface finish DIN ISO 1302	STABILUS		Document No.:		
Replaces:			10023622		
		Material No.:		9935SU	
		BALL SOCKET ASSY			

Ident. Doc.: