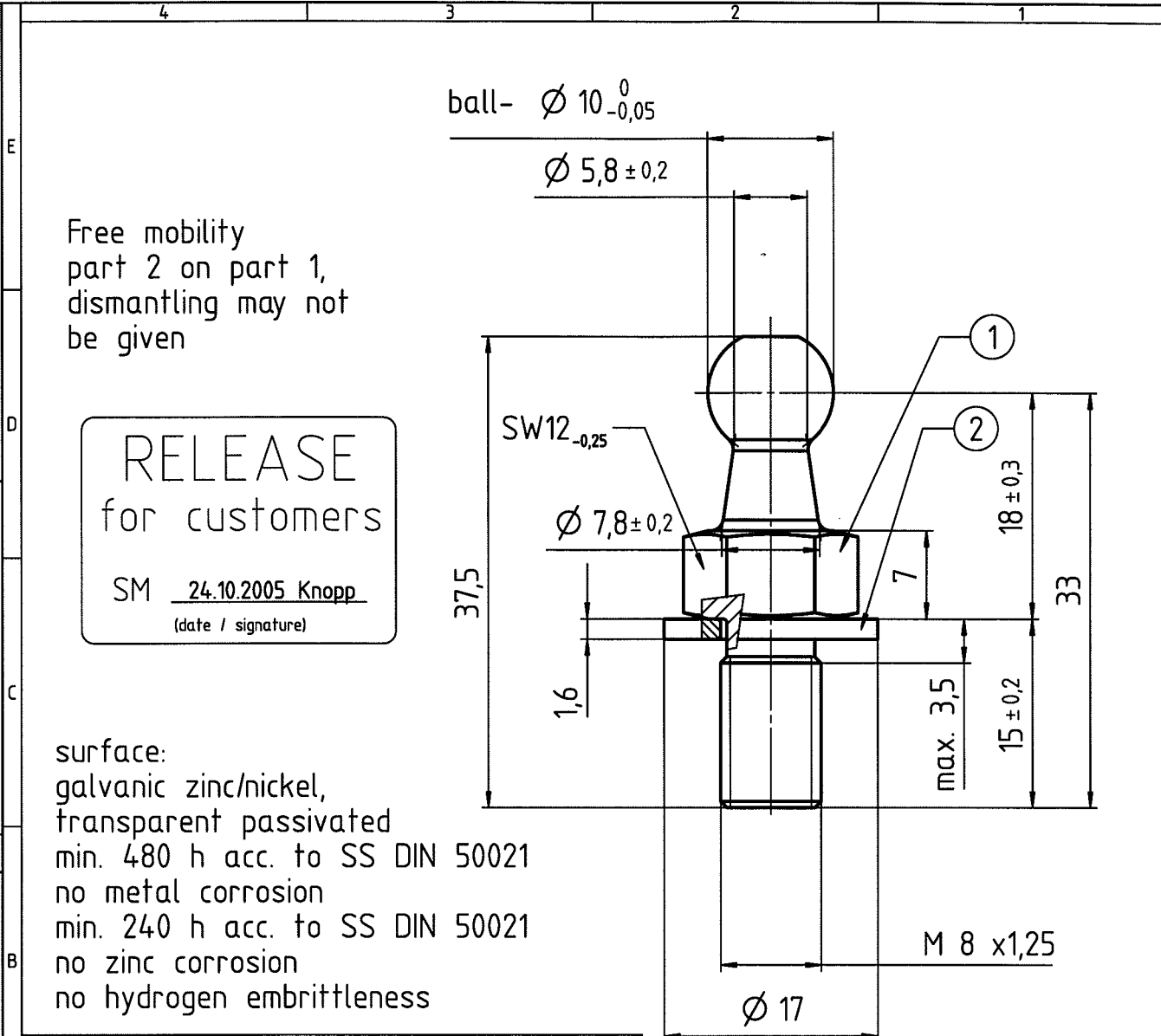


The print-out is not subject to the modification service

Intended for internal use and customer

EN



surface:
galvanic zinc/nickel,
transparent passivated
min. 480 h acc. to SS DIN 50021
no metal corrosion
min. 240 h acc. to SS DIN 50021
no zinc corrosion
no hydrogen embrittlement

2	washer	JSC 270 CC or JSH 270 CN-P or DIN EN 10139 - DC01 + C590
1	ball stud	S 45 C or 46 S Pb 20 C DIN EN 10277-3
No.	Name	Material*

Volvo CAB C70

Environmental protection acc. to STAB-Spec. 10005649

DE: X	EN: X	ES:	IT:	PT:	FR:
new	-				
old	Suzuki-part-No.				
Field	E4				
Date/Name	17.10.2005 Geilen				
Change No	546131				
Revision	2				

Material: *	All dimensions are in mm	Identification of important characteristics Dimensions without tolerances	Drawn by	Date	Name
	Scale: (Original DIN A4) 2:1		Checked	18.01.2005	Geisbuesch, A.
Edge tolerances acc. to DIN ISO 13715	We reserve all rights to this document, to any patents or patent registrations related hereto, and to the duplication, retransmission by third parties and misc. use. Any use of this document is not permitted without the written consent of STABILUS CAD created document; handwritten changes not permitted		Document No.:	10028506	
Surface finish DIN ISO 1302			Material No.:	6188VQ	
Replaces: DC-20050216					
STABILUS	BALL STUD				

CAD-SYSTEM UNIGRAPHICS ID:pa_010580_de1