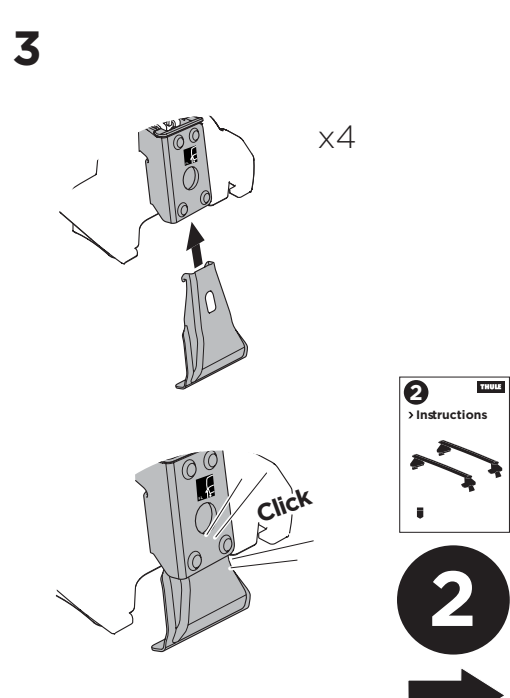
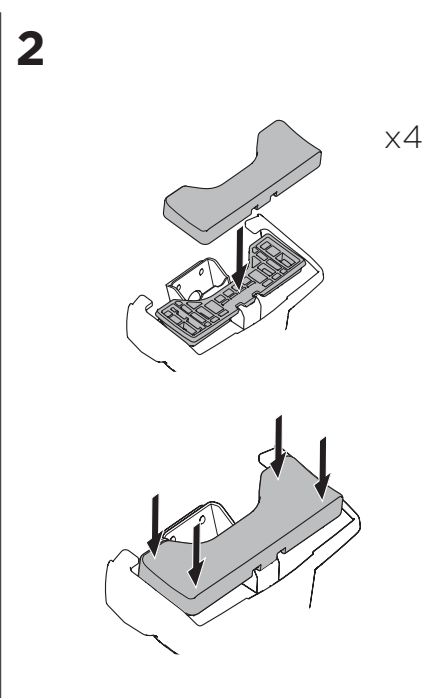
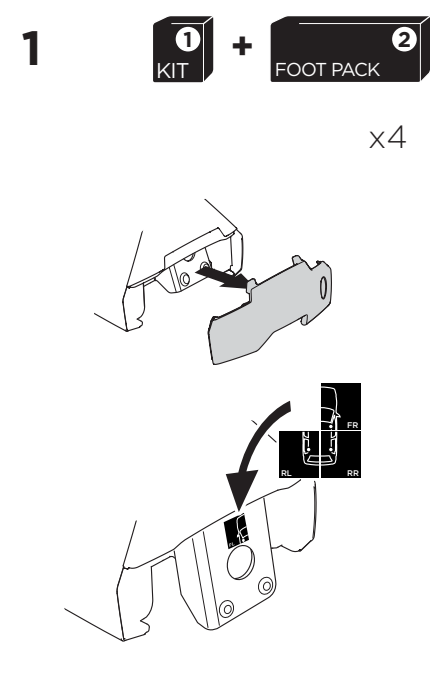
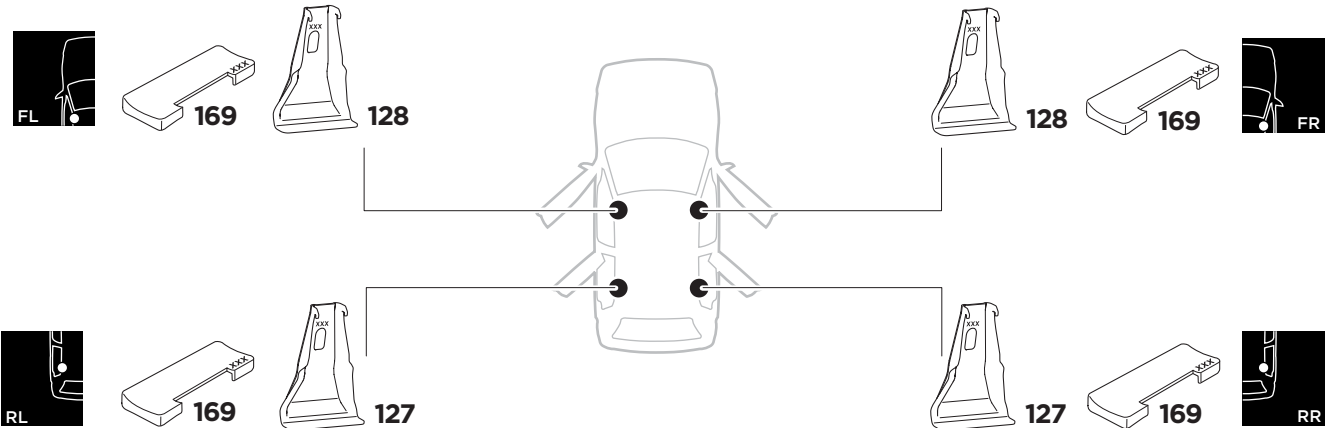
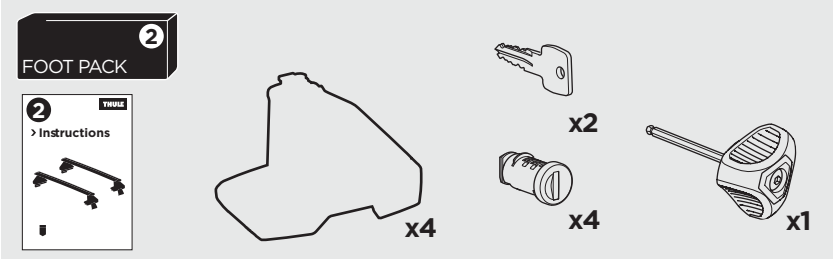
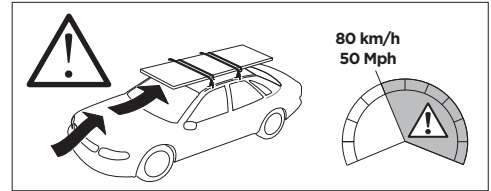
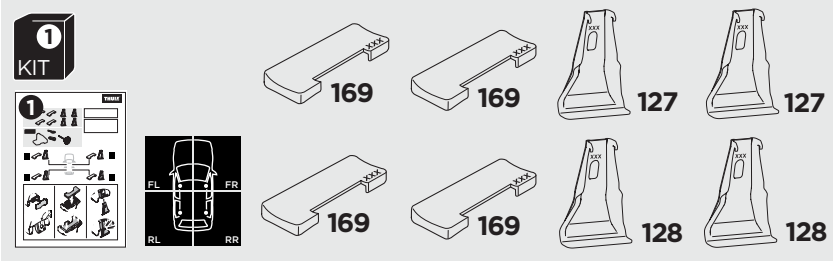


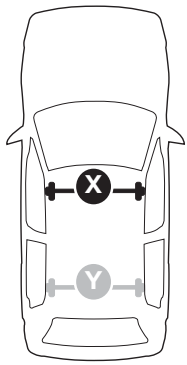
# 1

## Kit 5031

BMW 2-Series Gran Tourer, 5-dr MPV, 15-

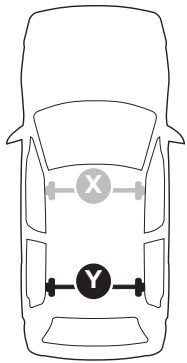
ISO 11154-E





THULE WingBar Evo	THULE WingBar Edge	THULE WingBar	THULE SquareBar	<b>Evo X (scale)</b>	<b>Edge X (scale)</b>
<b>BMW 2-Series Gran Tourer, 5-dr MPV, 15-</b>				<b>39</b>	<b>A</b>

THULE ProBar	THULE SlideBar	<b>X (mm/inch)</b>		
<b>BMW 2-Series Gran Tourer, 5-dr MPV, 15-</b>		<b>1041 mm / 41"</b>		



THULE WingBar Evo	THULE WingBar Edge	THULE WingBar	THULE SquareBar	<b>Evo Y (scale)</b>	<b>Edge Y (scale)</b>
<b>BMW 2-Series Gran Tourer, 5-dr MPV, 15-</b>				<b>35</b>	<b>I</b>

THULE ProBar	THULE SlideBar	<b>Y (mm/inch)</b>		
<b>BMW 2-Series Gran Tourer, 5-dr MPV, 15-</b>		<b>1001 mm / 39 3/8"</b>		

	<b>W (mm/inch)</b>	<b>Z (mm/inch)</b>
<b>BMW 2-Series Gran Tourer, 5-dr MPV, 15-</b>	<b>700 mm / 27 1/2"</b>	<b>400 mm / 15 3/4"</b>

