

EZDown Instruction
1st Fitment

RELOADED MITSUBISHI 2020 RL0195 - KG KNUTSSON

1
RHS and LHS are determined when sitting in the Drivers side of the Vehicle.

2
Remove this bolt and re-use
Remove cable stud and replace with stud C

3
Fasten top of bracket with existing bolt.
Fit cable stud through bracket G and then through existing cable ferrule. Add in washer F. Fit as indicated in slide 4.

4
Bracket to be bolted against vehicle as shown
Ensure cable has movement and can swivel
Vehicles own cable now used, not our cable

5
Remove existing screws and bracket
RHS of tailgate cavity

6 Note position of the Guide Arm that it faces to the front of the vehicle

7
Replace with Bracket H & counter sink screws B as shown in slide 8

8
Hook existing cable onto bracket H by slightly lifting the tailgate flap

9
Slide the component parallel into the open rectangular cavity on the side of the tailgate, once inside, turn the component 90 degrees and pull back against the body of the tailgate.

10
Slide the bracket over the M6 bolt, then push the bracket into the open rectangular cavity and against the body of the tailgate as illustrated.
Against side body of tailgate
Make sure the clamping nut E locates between legs and the bracket and does not rotate.

11
With bracket A correctly located in rectangular cavity and the M6 Screw pulled back against the tailgate, fasten the M6 screw to secure the bracket against the tailgate.

12
Fit damper to ballstud.

13
Fit damper with hex bolt D supplied ensuring it has movement and nothing is trapped tailgate and not the damper

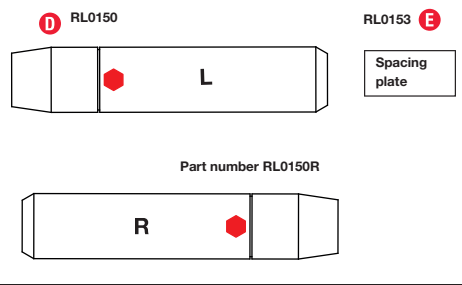
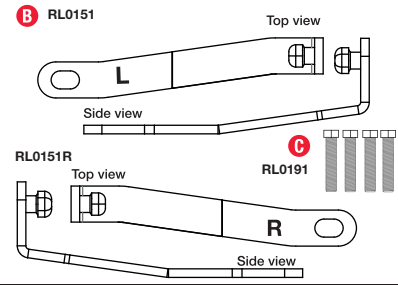
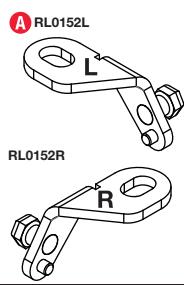
14
Fit damper as per slide 13.
Ensure cables are free and flowing

| FITTING CODE | MANUFACTURER | MODEL TYPE | YEAR | STOCKIST | PRODUCT | REVISION | LABOUR | DATE | PAGE |
|--------------|--------------|------------|-------|-------------|---------|------------------|--------|------------|------|
| RL0195 | MITSUBISHI | TRITON | 2020+ | DEALERSHIPS | EZDOWN | 4 | 20min | 18/02/2020 | 1 |
| TORQUE - N.m | ★ 27N.m±2N.m | | ★ 2 | 15N.m±2N.m | | www.ezdown.co.za | | | |

NB: After installation please close tailgate gently to ensure that there is no interference with any hardware.

IMPORTANT:
No liability will be incurred by Industrial Specialised Applications company, for injury, death, or property damage caused by a product which has been set up, operated, and/or installed contrary to EZDown installation guide/manual, or which has been subjected to misuse, negligence, or accident, or which has been repaired or altered by anyone other than Industrial Specialised Applications, or which has been used in a manner or for a purpose for which the product was not designed.





Reloaded Mitsubishi 2020 – RL0195 - KG KNUTSSON

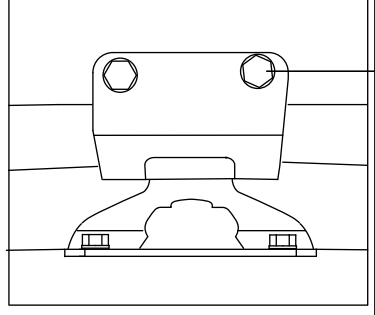
EZDown Reloaded Instruction – 2nd Fitment

1 RHS and LHS are determined when sitting in the Drivers side of the Vehicle.

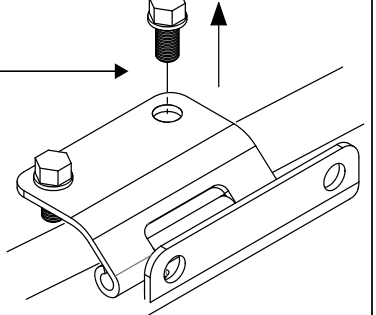
CAUTION:
Do not remove the red bolt from cylinder D until fully installed - if you do you will lose the pre-tension.

CRITICALLY IMPORTANT:
The RED bolts must be removed before you close the tailgate after installation. Failure to do this will create irreparable damage and warranty will be void.

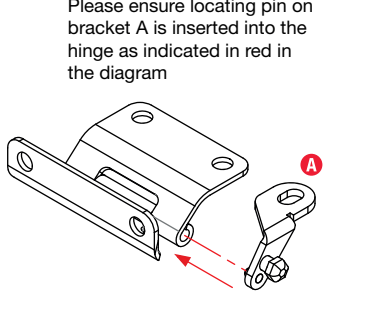
2 Open tailgate. Start at LHS.



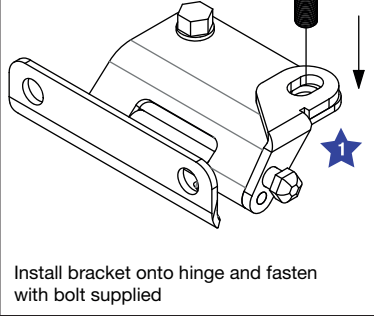
3 LHS Remove existing bolt from bin side hinge and discard



4 LHS Install bracket onto the hinge as indicated. Please ensure locating pin on bracket A is inserted into the hinge as indicated in red in the diagram

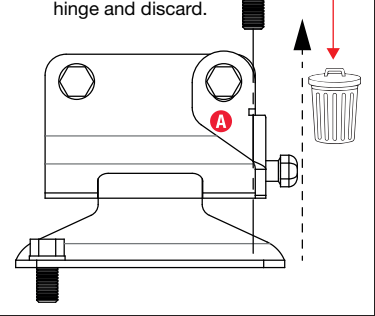


5 LHS

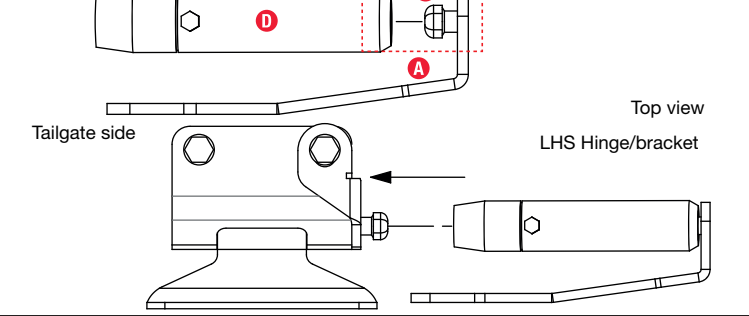


Install bracket onto hinge and fasten with bolt supplied

LHS Remove existing bolt from tailgate side hinge and discard.



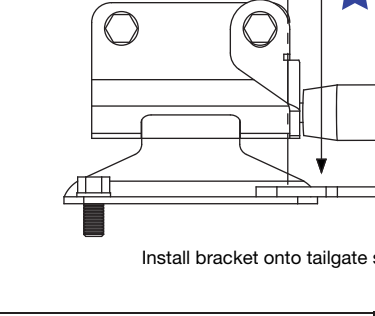
6 LHS Fit LHS Cylinder as indicated by sliding over hex ball stud and onto the spacing plate to ensure the spacing of the pod is away from the tailgate.



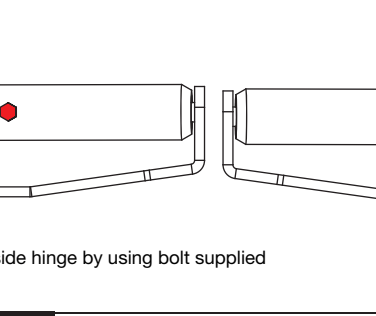
7

Repeat slides 3 – 6 for the RHS hinge and bracket.

8 LHS

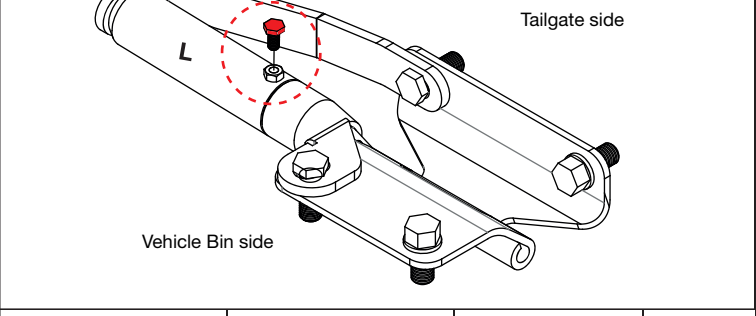


8 RHS



Install bracket onto tailgate side hinge by using bolt supplied

9 Remove LHS Red bolt and then repeat for RHS Red bolt.



10 Top view of Mitsubishi Reloaded kit correctly mounted on the LHS & RHS hinge when the tailgate is open



SHOULD YOU WANT TO INCREASE YOUR PRELOAD OR REINSTALL YOUR PRELOAD IF REMOVED FROM THE VEHICLE PLEASE CONTACT YOUR CLOSEST STOCKIST FOR ASSISTANCE

| FITTING CODE | MANUFACTURER | MODEL TYPE | YEAR | STOCKIST | PRODUCT | REVISION | LABOUR | DATE | PAGE |
|--------------|--------------|------------|--------------|---------------|------------------|----------|--------|------------|------|
| RL0195 | ★ MITSUBISHI | TRITON | 2020+ | ★ DEALERSHIPS | EZDown RELOADED | 4 | 25min | 18/02/2020 | 1 |
| TORQUE – N.m | ★ 27N.m±2N.m | | ★ 15N.m±2N.m | | www.ezdown.co.za | | | | |

NB: After installation please close tailgate gently to ensure that there is no interference with any hardware.

IMPORTANT:
No liability will be incurred by Industrial Specialised Applications company, for injury, death, or property damage caused by a product which has been set up, operated, and/or installed contrary to EZDown installation guide/manual, or which has been subjected to misuse, negligence, or accident, or which has been repaired or altered by anyone other than Industrial Specialised Applications, or which has been used in a manner or for a purpose for which the product was not designed.

