

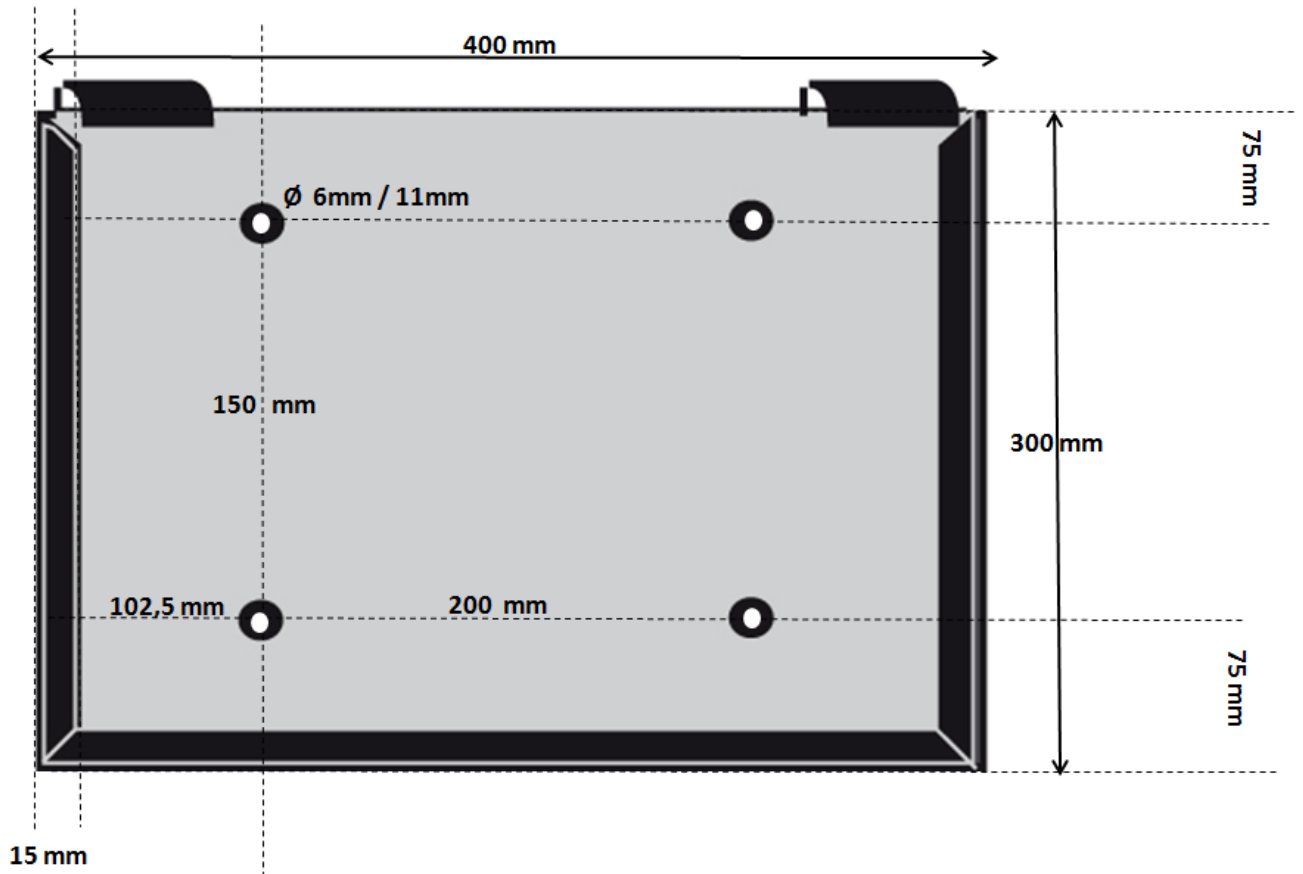
PRODUCT INFO

Date : 03.02.2014

ARTICLE-NR: 35.103.82

Inox plateholder 400 x 300 x 0,8 mm

Backside and sides ar black coated with a transparant protection foil laminated on top.



With 2 CLIPS: **art. 35.103.82**: illustration :

