



Pneumatic  
impact  
wrench

K 9831



This tool is designed for tightening and loosening of threaded fasteners within the range as specified by the manufacturer. It should only be used in conjunction with suitable impact type 3/4" square driver nut running sockets. Only use sockets which are of the impact type.

## **SAFETY AND PRECAUTION**

- 1 Always use impact resistant eye protection when operating a pneumatic tool.
- 2 Only use impact sockets together with a pneumatic impact wrench.
- 3 Always be aware that hearing protection is recommended at sound levels above 85 dBA, 2003/10/EG.
- 4 Never use a bigger tool than necessary for the job, a more powerful tool tends to vibrate more.
- 5 Vibration, repetitive motions or uncomfortable positions may be harmful to your hands or arms. Stop using any tool if discomfort, tingling feeling or pain occurs, seek medical advice before resuming use.
- 6 Keep unqualified persons, children, etc. away from the tool.
- 7 Never use oxygen and combustible gas as an air supply for the tool which may be ignited by spark and cause fire or explosion.
- 8 This power tool is not intended for use in potentially explosive atmospheres and is not insulated against coming into contact with electric power.
- 9 Never use gasoline or other flammable liquids to clean the tool.
- 10 Do not expose air tools to rain. Do not use air tools in damp or wet locations.
- 11 When not in use, keep tools in a dry place, either locked up or in a high place, out of the reach of children.
- 12 Only qualified and trained operators should install, adjust or use power tools.

- 13 Do not modify this power tool. Modifications can reduce the effectiveness of safety measures and increase the risks to the operator.
- 14 Do not use the tool if it has been damaged.
- 15 Failure of a work piece, accessories or even of the power tool itself can generate high-velocity projectiles.
- 16 Use only impact-wrench-rated sockets in good condition, as poor condition or hand sockets and accessories used with impact wrenches can shatter and become a projectile.
- 17 Entanglement hazards can result in choking, scalping and/or lacerations if loose clothing, bracelets, neckwear, hair or gloves are not kept away from the tool and accessories.
- 18 Never hold the drive, socket or drive extension.
- 19 Do not use in confined spaces and beware of crushing hands between tool and work piece, especially when unscrewing.
- 20 Do not touch sockets or accessories during impacting, as this increases the risk of cuts, burns or vibration injuries.
- 21 Always shut off air supply, drain hose of air pressure and disconnect tool from air supply when not in use, before changing accessories or when making repairs.
- 22 Do not exceed the maximum air pressure, see Specifications in this manual
- 23 Never carry an air tool by the hose.
- 24 Preferably shut off the air supply before changing socket or at least ensure that the hands are well clear of the operating trigger.

# PRODUCT SPECIFICATIONS

Model No.	K 9831
Revolutions	5000 rpm
Max.torque	1500 Nm
Air connection	1/4" NPT
Air consumption	139 l/m
Max. air pressure:	6,3 bar
Sound level	94,3 dBA
Length	191 mm
Weight	2600 g

# MAJOR COMPONENTS

Twin hammer impact mechanism

Forward/ reverse knob

Torque adjustment

Trigger

Composite chassie

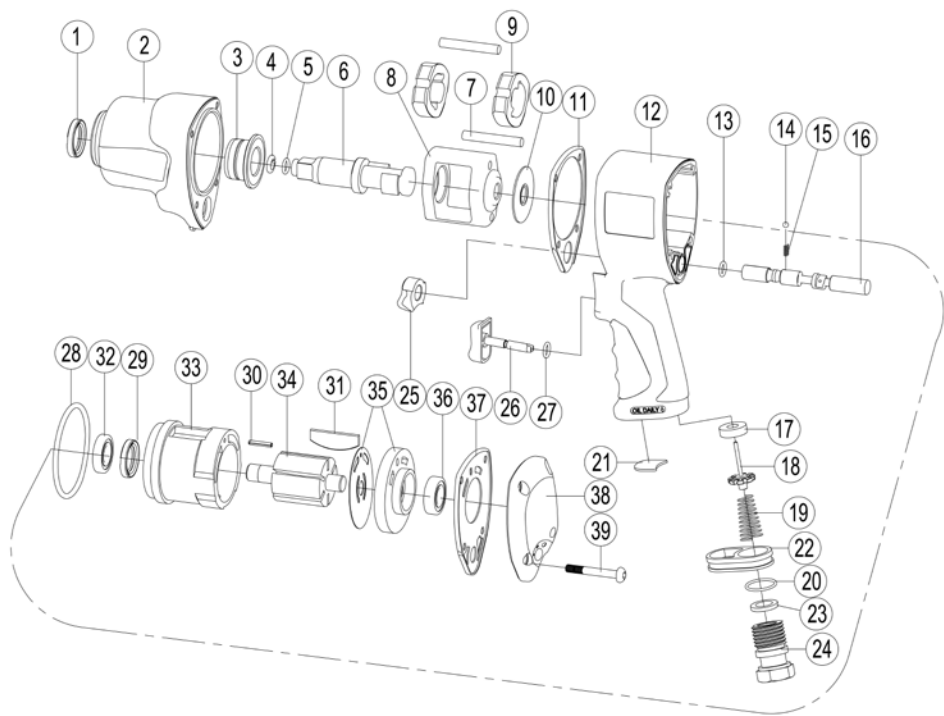
Air inlet



# MAINTENANCE

- 1 If the tool is used every day, disassemble and inspection is recommended every 6 months.
- 2 Dry the filter and the air inlet of the tool.
- 3 Lubricate the quick connect coupling to prevent blocking.
- 4 Air tools require lubrication throughout the life of the tool. Since the compressed air driving the motor contains water, the tool must be lubricated daily. We also recommend water separator in the air supplying system.
- 5 Use Molybdenum Disulfide ( $\text{MoS}_2$ ) grease for all gearboxes and impact mechanisms.
- 6 Avoid storing the tool in a location subject to high humidity. If the tool is left as it is used, the residual moisture inside the tool can cause rust. Before storage, lubricate tool and run it for a few seconds.
- 7 Perform regular inspection of spindles, threads, and clamping devices in respect of wear and tolerances.
- 8 If the tool is too seriously damaged to be used anymore, recycle raw material instead of disposing as waste. The machine, accessories and packaging should be sorted for environmental-friendly recycling. Check with your local authority or retailer for recycling advice.
- 9 Tools repair and maintenance should be carried out by an authorized service center.

# PARTS K 9828



# PARTS LIST K 9831

No	Parts name	Qt	Spare part No
1	Oil seal	1	KR 9831-1
2	Hammer case	1	
3	Bushing	1	
4	Anvil collar	1	KR 9831-2
5	O-ring	1	KR 9831-2
6	Anvil	1	KR 9831-2
7	Hammer pin	2	KR 9831-2
8	Hammer cage	1	
9	Hammer dog	2	KR 9831-2
10	Washer	1	
11	Front gasket	1	
12	Motor housing	1	
13	O-ring	1	KR 9831-1
14	Steel ball	1	
15	Spring	1	
16	Reverse valve	1	
17	Retainer	1	KR 9831-3
18	Valve stern	1	KR 9831-3
19	Spring	1	KR 9831-3

No	Parts name	Qt	Spare part No
20	O-ring	1	KR 9831-3
21	Muffler	1	
22	Exhaust deflector	1	KR 9831-3
23	Washer	1	KR 9831-3
24	Hose adaptor 18 NPT	1	KR 9831-3
25	Regulator knob	1	
26	Trigger	1	
27	O-ring	1	KR 9831-1
28	O-ring	1	KR 9831-1
29	Oil seal	1	
30	Spring pin	1	
31	Rotor blade	6	KR 9831-1
32	Ball bearing	1	KR 9831-4
33	Cylinder	1	
34	Rotor	1	
35	Rear plate	1	
36	Ball bearing	1	KR 9831-4
37	Rear gasket	1	KR 9831-1
38	Rear cover	1	
39	Screw	4	

**Stock No**    **Kit**  
 KR 9831-1    Engine repair kit: Pos 1, 13, 27, 28, 31, 37  
 KR 9831-2    Gearing repair kit: Pos 4, 5, 6, 7, 9  
 KR 9831-3    Air inlet kit: Pos 17, 18, 19, 20, 22, 23, 24  
 KR 9831-4    Bearing kit: Pos 32, 36



K 9831

[www.kamasatools.com](http://www.kamasatools.com)