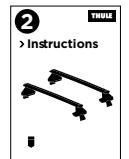
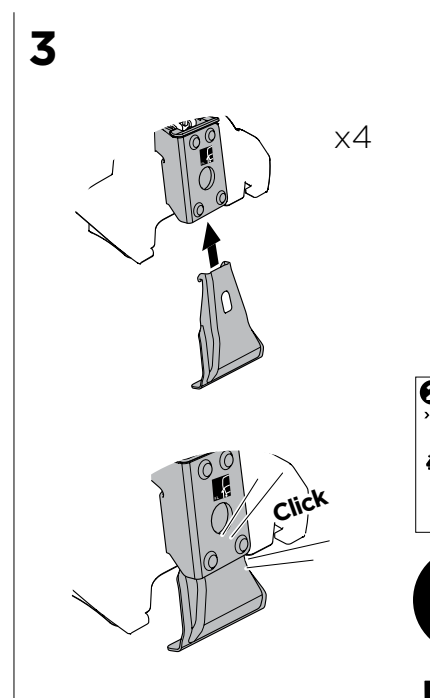
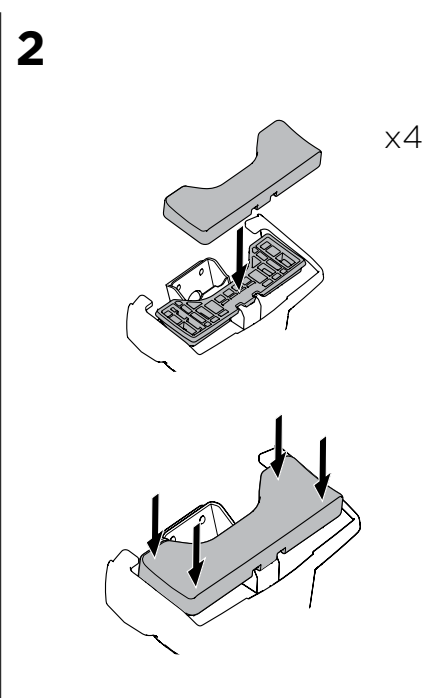
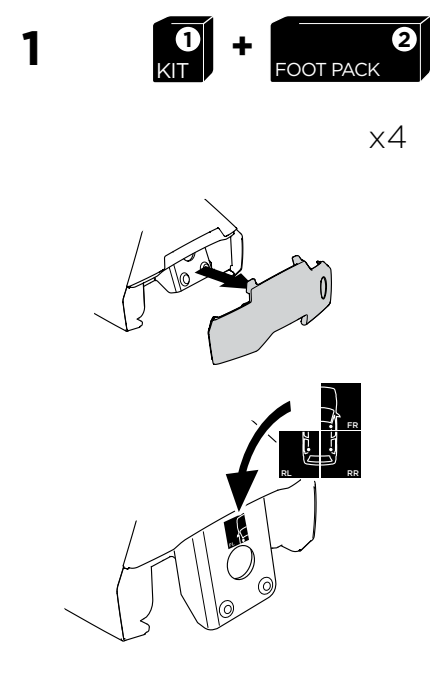
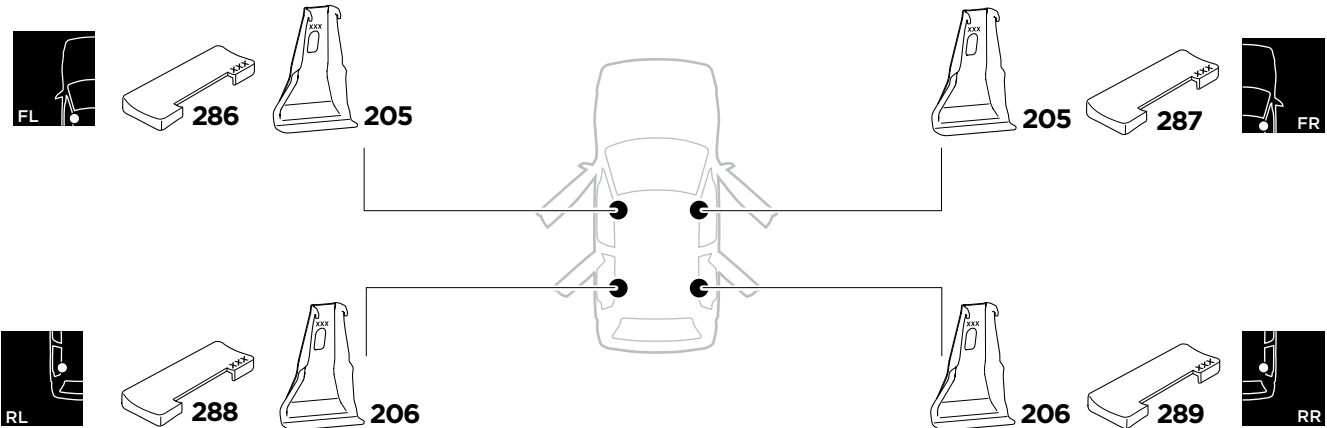
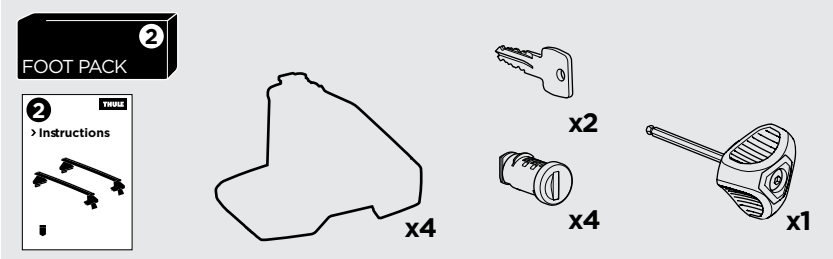
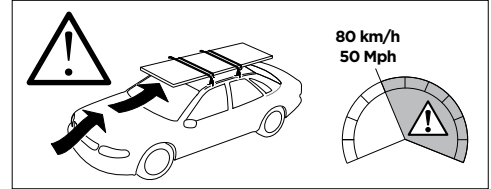
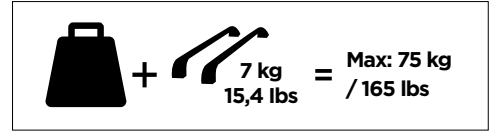
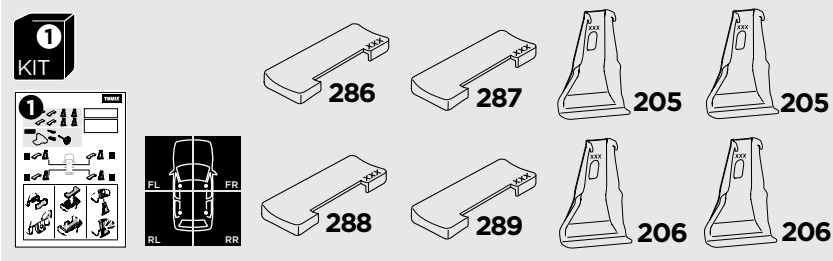


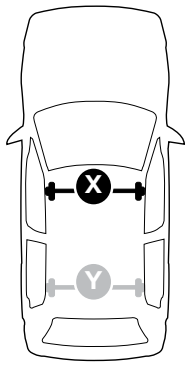
1

Kit 5089

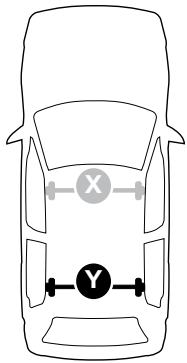
FORD Focus (Mk. III), 5-dr Hatchback, 11-18

ISO 11154-E





| | | | | | |
|--|--------------------|---------------|-----------------|--------------------------|-----------------------|
| THULE WingBar Evo | THULE WingBar Edge | THULE WingBar | THULE SquareBar | Evo X (scale) | Edge X (scale) |
| FORD Focus (Mk. III), 5-dr Hatchback, 11-18 | | | | 39,5 | R |
| THULE ProBar | THULE SlideBar | | | | X (mm/inch) |
| FORD Focus (Mk. III), 5-dr Hatchback, 11-18 | | | | 1046 mm / 41 1/8" | |



| | | | | | |
|--|--------------------|---------------|-----------------|----------------------|-----------------------|
| THULE WingBar Evo | THULE WingBar Edge | THULE WingBar | THULE SquareBar | Evo Y (scale) | Edge Y (scale) |
| FORD Focus (Mk. III), 5-dr Hatchback, 11-18 | | | | 34 | K |
| THULE ProBar | THULE SlideBar | | | | Y (mm/inch) |
| FORD Focus (Mk. III), 5-dr Hatchback, 11-18 | | | | 991 mm / 39 " | |

| | | |
|--|-------------------------|------------------------|
| | W (mm/inch) | Z (mm/inch) |
| FORD Focus (Mk. III), 5-dr Hatchback, 11-18 | 785 mm / 0 9/16" | 250 mm / 9 7/8" |

