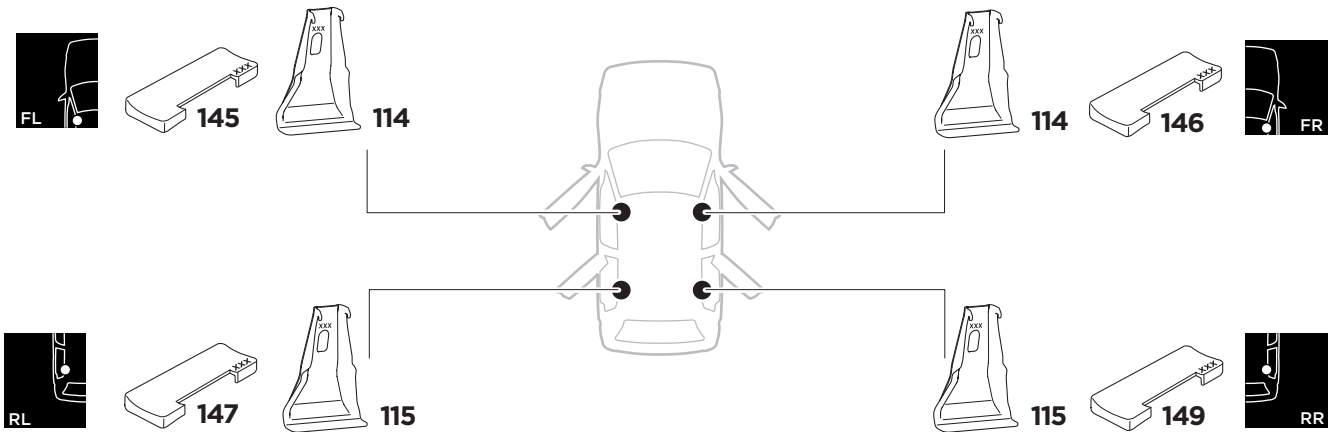
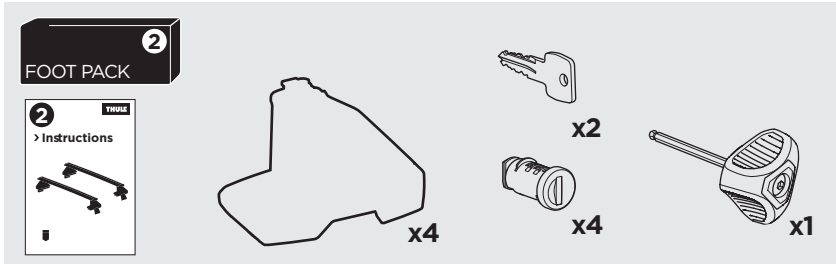
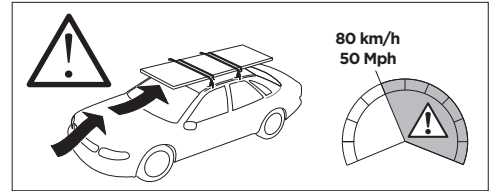
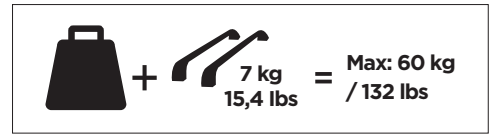
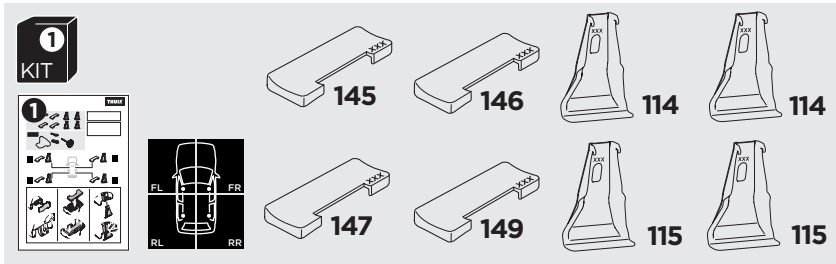


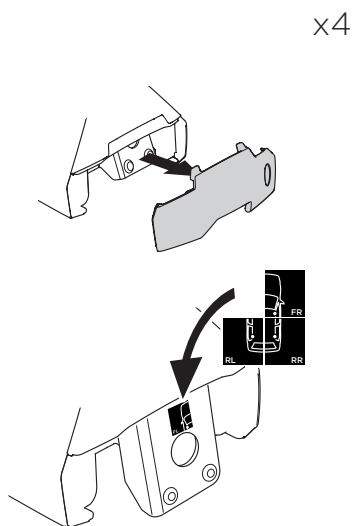
1

Kit 5028 RENAULT Espace, 5-dr MPV, 15-

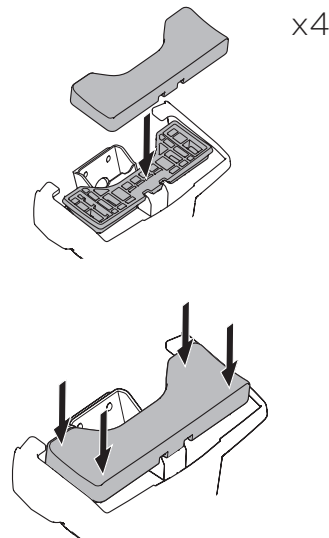
ISO 11154-E



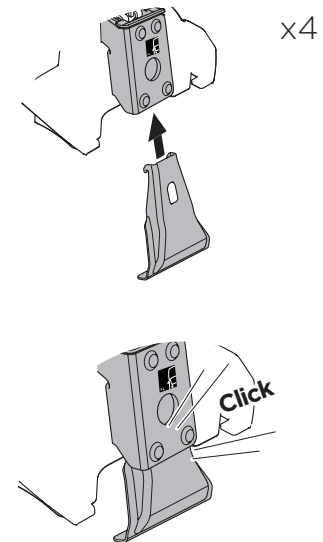
1 KIT + FOOT PACK 2



2



3





THULE WingBar Evo	THULE WingBar Edge	THULE WingBar	THULE SquareBar	Evo X (scale)	Edge X (scale)
RENAULT Espace, 5-dr MPV, 15-				55,5	D

THULE ProBar	THULE SlideBar	X (mm/inch)		
RENAULT Espace, 5-dr MPV, 15-		1206 mm / 47 1/2"		



THULE WingBar Evo	THULE WingBar Edge	THULE WingBar	THULE SquareBar	Evo Y (scale)	Edge Y (scale)
RENAULT Espace, 5-dr MPV, 15-				51	M

THULE ProBar	THULE SlideBar	Y (mm/inch)		
RENAULT Espace, 5-dr MPV, 15-		1161 mm / 45 3/4"		

	W (mm/inch)	Z (mm/inch)
RENAULT Espace, 5-dr MPV, 15-	640 mm / 25 1/4"	450 mm / 17 3/4"

