



Cooling
system
filler set

K 200



INTRODUCTION

This tool is designed to evacuate trapped air, perform vacuum leak tests and refill cooling systems.

SAFETY AND PRECAUTION

- 1 On some older vehicles, cooling circuit components may be weakened by wear and age, the negative pressure generated by the tool may cause damage.
- 2 Always follow instructions provided by the vehicle manufacturer regarding handling and safety measures.
- 3 Always follow safety instructions relating to the handling and recycling of coolants.
- 4 Due to risk for hot water spray, the pressure cap should not be opened when radiator or coolant system components are warm to the touch.
- 5 Never exceed recommended pressure recommendations.

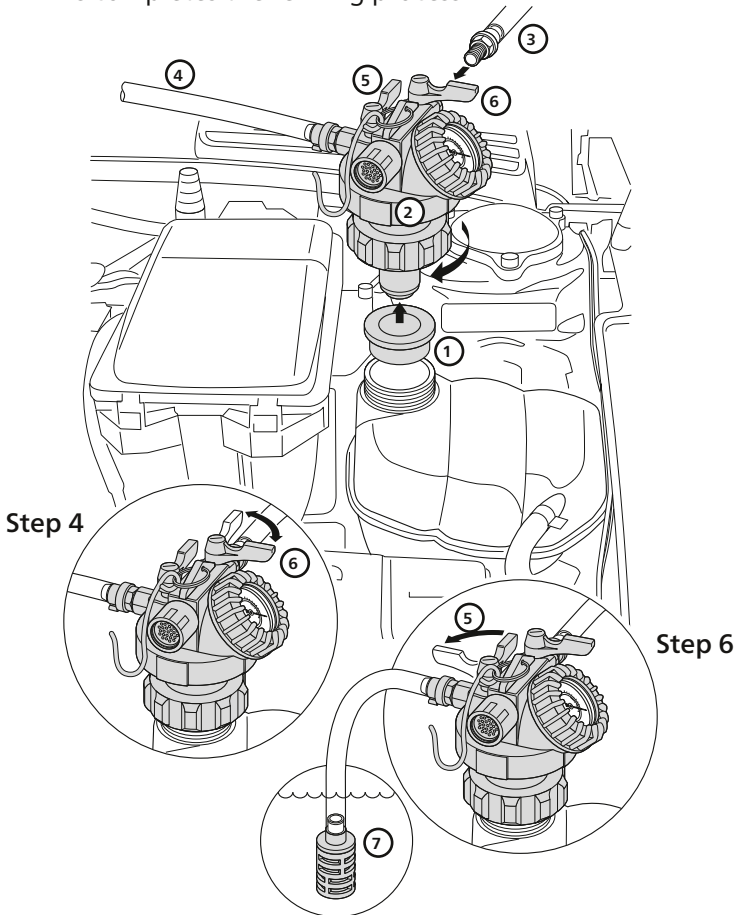
PRODUCT SPECIFICATION

Air inlet	1/4"
Recommended air pressure	6.2 bar (90 Psi)
6 adapters	10 – 42mm

OPERATION INSTRUCTIONS

- 1 Select suitable rubber adapter (1)
- 2 Assemble chosen adapter to the vacuum tool (2) and connect to expansion tank, turning the locking cap clockwise to expand the adapter.
- 3 Make sure both valves are closed. Connect air pressure hose (3) and coolant suction hose (4) to the vacuum tool.
- 4 Make sure the valve for coolant suction hose is shut (5). Open the compressed air valve (6) until the vacuum reaches 0,5 to 0,6 bar (7,3 – 8,7 Psi), then close it again. Important: do not exceed 0,6 bar.
- 5 A leakage test can now be performed by watching the gauge.
 - If the gauge needle does not move for 1–2 minutes, there are no leaks in the system.
 - If the needle drops slowly, a small leak or seepage is present.
 - If the needle drop quickly, there is a serious leak in the system.

- 6 With a vacuum of 0,5–0,6 bar, compressed air valve shut and the suction hose immersed in a container with coolant (7), the valve (5) can now be opened and the system refilled.
- 7 In some cases steps 4 and 6 may be necessary to repeat.
- 8 After the refilling process is completed, shut the valves and disconnect the compressed air hose and suction hose, open the valves. Now the vacuum tool can be dismantled and coolant level checked. This completes the refilling process.



PARTS LIST

Stock No.	Description
KR 200 1	Gauge with hose
KR 200 2	5 pcs adapter set



K 200

www.kasatools.com