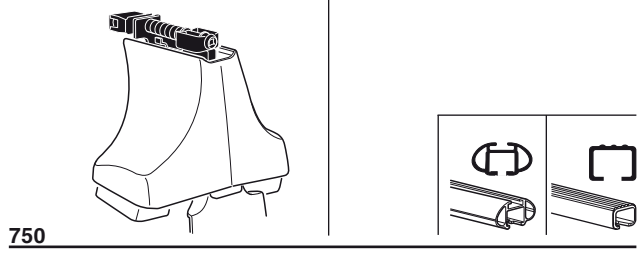
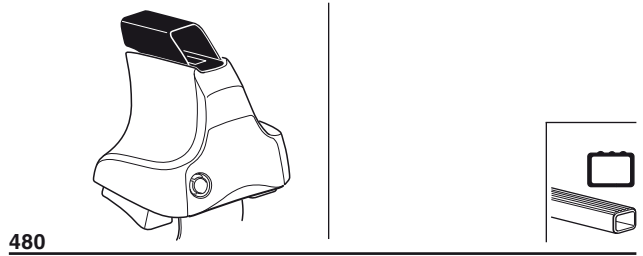
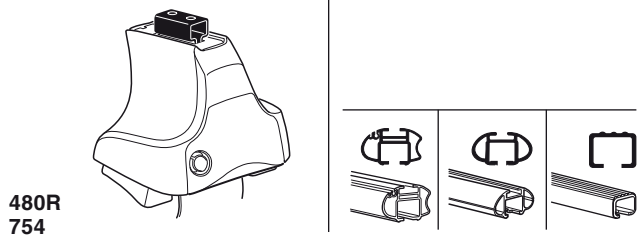




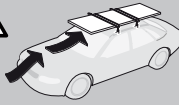



Kit 1473





TOYOTA Auris, 3-dr Hatchback, 06-



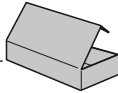

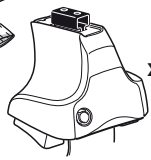




 + 
 = **Max. 40 kg**
Max. 88 lbs


80 km/h 50 Mph 130 km/h 80 Mph
 40 km/h 25 Mph
km/h Mph


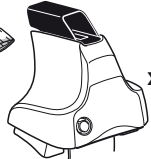



 + 



THULE
Kit XXXX
instructions
THULE


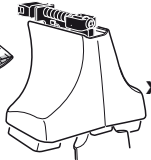

x1 **x4** **x4**

480R/754

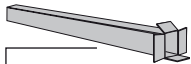
x1 **x4** **x4**







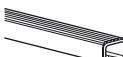
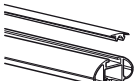



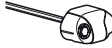
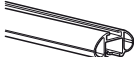

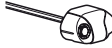

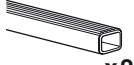
480

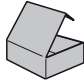





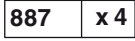
x1 **x4** **x4**

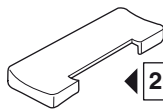

750

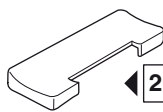



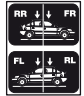

  x2  x2  x2  x4	  x2	  x2  x2  x4  x4	  x2  x2	  x2
---	---	--	---	---



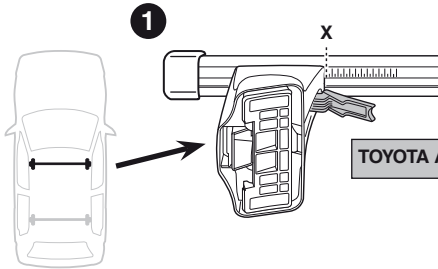



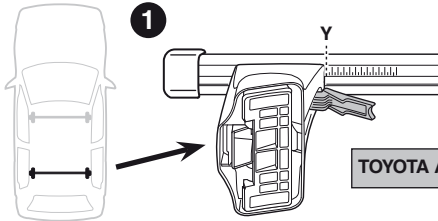



Kit

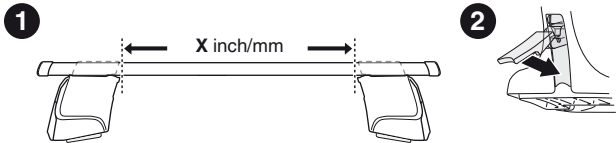
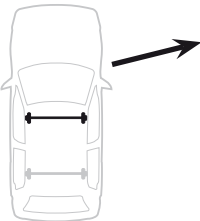
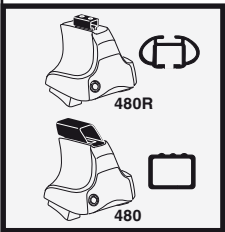




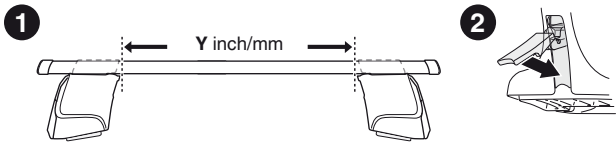
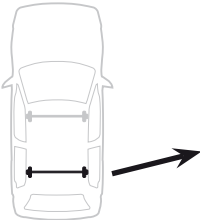
	X
TOYOTA Auris, 3-dr Hatchback, 06-	36,5



	Y
TOYOTA Auris, 3-dr Hatchback, 06-	34,5



	X inch	X mm
TOYOTA Auris, 3-dr Hatchback, 06-	40"	1016 mm

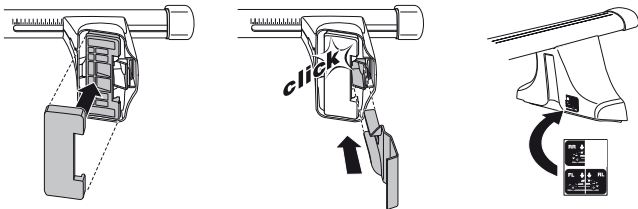
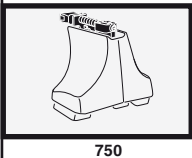
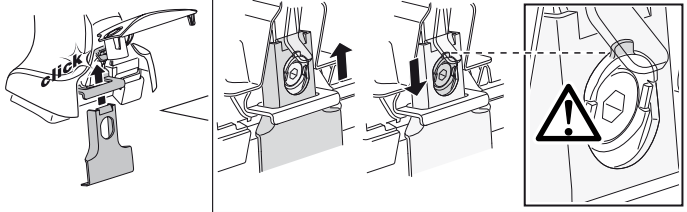
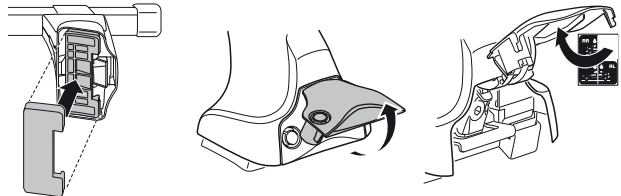
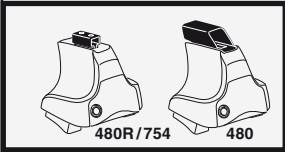
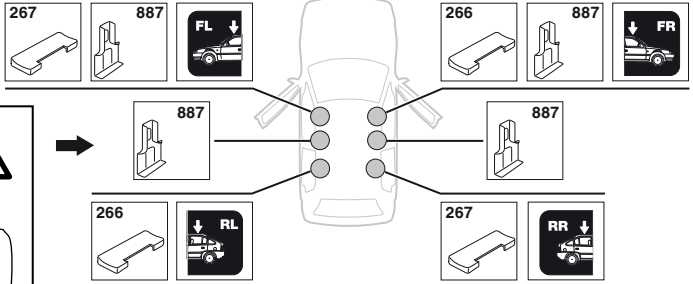
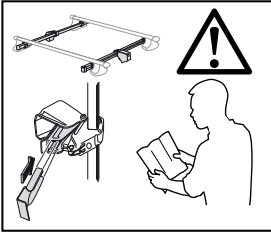


	Y inch	Y mm
TOYOTA Auris, 3-dr Hatchback, 06-	39 1/4"	996 mm

4

TOYOTA Auris, 3-dr Hatchback, 06-

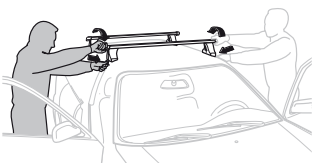
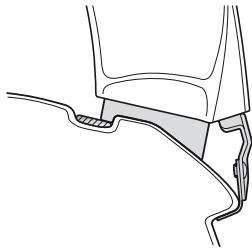
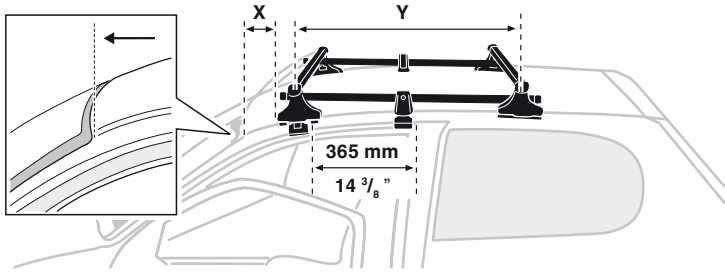
SRA



5



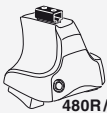
	X mm	Y mm	X inch	Y inch
TOYOTA Auris, 3-dr Hatchback, 06-	310 mm	600 mm	12 1/4"	23 5/8"



- GB/US** Tighten alternately
- D** Die Schrauben abwechselnd anziehen
- F** Serrer alternativement chaque côté
- NL** Afwisselend aan de linker- en de rechterkant aandraaien
- I** Alternare il serraggio delle viti
- E** Apretar alternativamente
- PT** Aperte alternadamente
- S** Dra åt växelvís
- FIN** Kierrä vuorotellen
- EST** Pinguldage vaheldumisi
- LAT** Pievelciot pamišus
- LIT** Užsukinėkite pakaitomis
- PL** Śruby dokręcaj naprzemiennie
- RU** Затягивайте попеременно

- CZ** Pokrétla багаžnika dokręcaj dokręcaj naprzemiennie.
- SK** Dofahujte striedavo
- SLO** Privijajte izmenično.
- HR** Naizmjenično zategnite
- HU** Egymástól függetlenül szorítandó
- GR** Σφίγγετε εναλλάξ
- TR** Dönüşümlü sıkın
- 中文** 交替拧紧
- 한국어** 번갈아 가며 조이십시오.
- 日本語** 交互に締め付けてください。
- ไทย** ชันในแบบสลับ

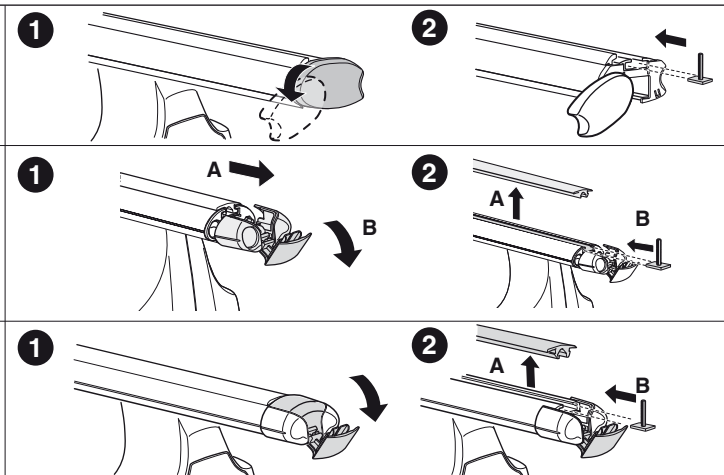
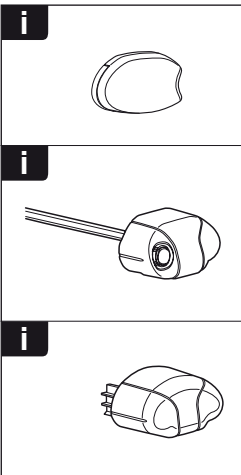
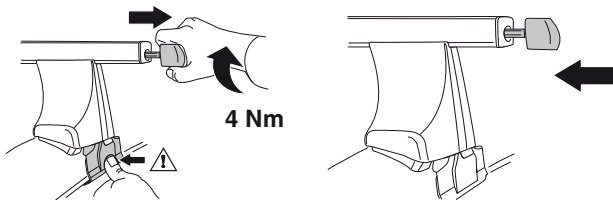
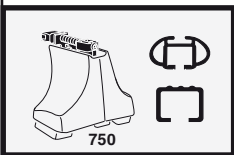
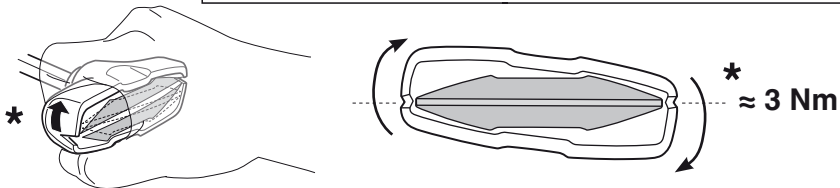
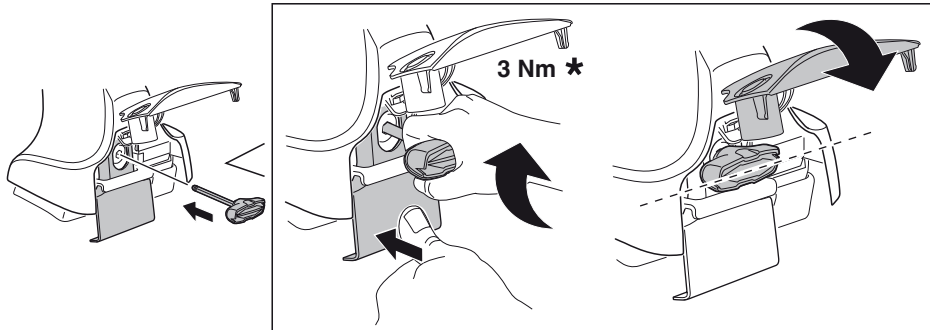
6



480R/754



480





THULE
SWEDEN
**ONE
KEY
SYSTEM**



- 544 (x4)
- 596 (x6)
- 588 (x8)
- NA 510 (x10)
- EUR 452 (x12)
- ASIA



WW ▶ Thule Sweden AB, Box 69, 330 33 Hillerstorp, SWEDEN
NA ▶ Thule Inc., 42 Silvermine Road, Seymour, Connecticut 06483, USA

info@thule.com
customer.service@thule.com

www.thule.com