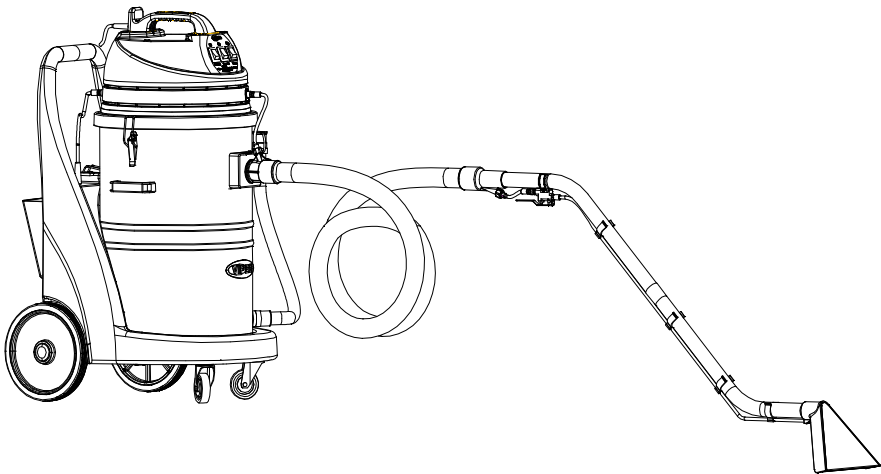




75L DRY & WET CARPET CLEANER / NETTOYANT MOQUETTE EAU ET POUSSIERE
75L/NETTOYANT MOQUETTE EAU ET POUSSIERE 75L/ 75L ΜΗΧΑΝΗΜΑ ΣΤΕΓΝΟΥ
& ΥΓΡΟΥ ΚΑΘΑΡΙΣΜΟΥ ΧΑΛΙΩΝ/ΜΟΚΕΤΩΝ /75L SZÁRAZ ÉS NEDVES
SZŐNYEGTISZÍTÓ/BATTITAPPETO A SECCO & UMIDO DA 75L/75L URZĄDZENIE DO
CZYSZCZENIA DYWANÓW NA MOKRO I NA SUCHO/75L LIMPADOR DE CARPETE
SECO E MOLHADO / ASPIRATOR PENTRU CURĂȚARE UMEDĂ & USCATĂ 75L / 75L
СУХОЙ & ВЛАЖНЫЙ ОЧИСТИТЕЛЬ КОВРОВ/75L ASPIRADORA PARA LIMPIADO EN
SECO Y MOJADO/75L KURU& ISLAK HALI TEMİZLEYİCİ /75L ПРАХОСМУКАЧКА ЗА
СУХО И МОКРО ПОЧИСТВАНЕ/75L VYSAVAČ NA MOKRO-SUCHÉ ČIŠTĚNÍ
KOBERCŮ/75-L-TROCKEN- UND NASS-TEPPICHREINIGER/75L DROOG & NAT
CARPET REINIGER/75L ČISTILEC ZA SUHO IN MOKRO ČIŠČENJE
75L VYSÁVAČ NA MOKRO-SUCHÉ ČISTENIE KOBERCOV

(CAR275 OWNER'S MANUAL)



VA83608

Rev. 2021(06-03)



EU / UE / EL / EC / EE / ES / EÚ / AB

Declaration of Conformity

Prohlášení o shodě
Konformitátsklärung
Overensstemmelseserklæring
Declaración de conformidad
Vastavusdeklaratsioon
Déclaration de conformité
Vaatimustenmukaisuusvakuutus

Декларация за съответствие
Δήλωση συμμόρφωσης
Megfelelősségi nyilatkozat
Izjava o skladnosti
Dichiarazione di conformità
Atitikties deklaracija
Atbilstības deklarācija
Samsvarserklæring
Conformiteitsverklaring

Declaração de conformidade
Declaracja zgodności
Declaratie de conformitate
Декларация о соответствии
Försäkran om överensstämmelse
Vyhlášení o zhode
Izjava o skladnosti
Uygunluk beyanı

Manufacturer / Výrobce / Hersteller / Fabrikant / Fabricante / Κατασκευαστής / Gyártó / Proizvođač / Fabbicante / Gamintojas / Ražotājs / Produzent / Fabrikant / Fabricante / Producent / Producător / производитель / Tillverkaren / Výrobca / Proizvajalec / Üretici firma:

**Nilfisk A/S, Kornmarksvej 1
DK-2605 Broendby, DENMARK**

Product / Produkt / Producto, Toode, Produit, Tuote/ Продукт / Προϊόν / Termék / Proizvod / Prodotto / Produkta / Produkts / Artikel / Produtos / Produs / Izdelek / Ürün

CAR275

Description / Popis / Beschreibung / Beskrivelse / Descripción / Kirjeldus / La description / Kuvaus / Описание / Περιγραφή / Leirás / Opis / Descrizione / Aprašymas / Apraksts / Beschrijving / Descrição / Descriere / Beskrivning / Popis / Açıklama

**FC - Spray Extraction Machine
220-240V 50/60Hz, IP44**

EN We, Nilfisk hereby declare under our sole responsibility, that the above mentioned product(s) is/are in conformity with the following directives and standards.

BG Ние, Nilfisk с настоящото декларираме на своя лична отговорност, че посочените по-горе продуктът е в съответствие със следните директиви и стандарти.

PT Nós, a Nilfisk declaramos, sob nossa exclusiva responsabilidade, que o produto acima mencionado está em conformidade com as diretrizes e normas a seguir.

CS My, Nilfisk prohlašujeme na svou výlučnou odpovědnost, že výše uvedený výrobek je ve shodě s následujícími směrnici a normami.

EL Εμείς, Nilfisk δηλώνουμε με αποκλειστική μας ευθύνη, ότι το προαναφερόμενο προϊόν συμμορφώνεται με τις ακόλουθες οδηγίες και πρότυπα.

PL My, Nilfisk Niniejszym oświadczamy z pełną odpowiedzialnością, że wyżej wymieniony produkt jest zgodny z następującymi dyrektywami i normami..

DE Wir, Nilfisk erklären in alleiniger Verantwortung, dass das oben genannte Produkt den folgenden Richtlinien und Normen entspricht.

HU Mi, Nilfisk kijelentjük, egyedüli felelősséggel, hogy a fent említett termék megfelel az alábbi irányelveknek és szabványoknak

RO Noi, Nilfisk Prin prezenta declarăm pe propria răspundere, că produsul mai sus menționat este în conformitate cu următoarele standarde și directive.

DA Vi, Nilfisk erklærer hermed under eget ansvar at ovennævnte produkt(er) er i overensstemmelse med følgende direktiver og standarder.

HR Mi, Nilfisk izjavljujemo pod punom odgovornošću, da gore navedeni proizvod u skladu sa sljedećim direktivama i standardima.

RU Ми, Нилфиск овим изјављујем под пуном одговорношћу, да наведеног производ је у складу са следећим директивама и стандардима.

ES Nosotros, Nilfisk declaramos bajo nuestra única responsabilidad que el producto antes mencionado está en conformidad con las siguientes directivas y normas

IT Noi, Nilfisk dichiara sotto la propria responsabilità, che il prodotto di cui sopra è conforme alle seguenti direttive e norme.

SV Vi Nilfisk förklarar härmed under eget ansvar att ovan nämnda produkt överensstämmer med följande direktiv och normer.

ET Meie, Nilfisk Käesolevaga kinnitame ja kanname ainuiskulist vastutust, et eespool nimetatud toode on kooskõlas järgmistele direktiivide ja

LT Mes, "Nilfisk pareiškiu vienašališkos atsakomybės, kad pirmiau minėtas produkta atitinka šias direktyvas ir standartus

SK My, Nilfisk prehlasujeme na svoju výlučnú zodpovednosť, že vyššie uvedený výrobok je v zhode s nasledujúcimi smernicami a normami.

FR Nilfisk déclare sous notre seule responsabilité que le produit mentionné ci-dessus est conforme aux directives et normes suivantes.

LV Mēs, Nilfisk šo apliecinu ar pilnu atbildību, ka iepriekš minētais produkts atbilst šādām direktīvām un standartiem

SL Mi, Nilfisk izjavljamo s polno odgovornostjo, da je zgoraj omenjeni izdelek v skladu z naslednjimi smernicami in standardi.

FI Me, Nilfisk täten vakuutamme omalla vastuulla, että edellä mainittu tuote on yhdenmukainen seuraavien direktiivien ja standardien mukaisesti

NO Vi, Nilfisk erklærer herved under eget ansvar, at det ovennevnte produktet er i samsvar med følgende direktiver og standarder

TR Nilfisk, burada yer alan tüm sorumluluklarımızı göere, yukarıda belirtilen ürünün aşağıdaki direktifler ve standartlara uygun olduğunu beyan ederiz.

NL We verklaren Nilfisk hierbij op eigen verantwoordelijkheid, dat het bovengenoemde product voldoet aan de volgende richtlijnen en normen

2006/42/EC

EN 60335-1:2012+A11:2014
EN 60335-2-68:2012

2014/30/EU

EN 55014-1:2017
EN 55014-2:2015
EN 61000-3-2:2014
EN 61000-3-3:2013

Authorized signatory: Lars Gjødssbøl, Executive Vice President Global Products & Services

Sep 25, 2018



UK Declaration of Conformity

We,
Nilfisk Ltd
Nilfisk House, Bowerbank Way Gilwilly Industrial Estate
Penrith Cumbria
CA11 9BQ UK

Hereby declare under our sole responsibility that the

Product: FC - Spray Extraction Machine
Description: 220-240V 50-60 Hz, IP44
Type: CAR275

Is in compliance with the following standards:

EN 60335-1:2012+A11:2014+A13:2017
EN 60335-2-68:2012
EN 55014-1:2017+A11:2020
EN 55014-2:2015
EN 61000-3-2:2014
EN 61000-3-3:2013
EN 63000:2018

Following the provisions of:

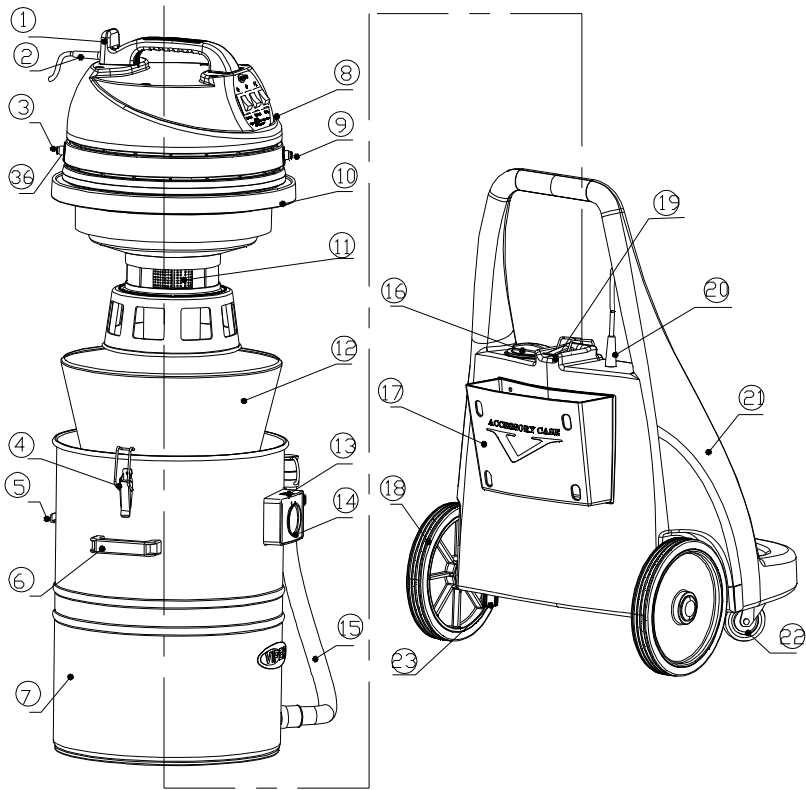
Supply of Machinery (Safety) Regulations 2008/1597
Electromagnetic Compatibility Regulations 2016/1091
The Restriction of the Use of Certain Hazardous Substances in Electrical and Electronic Equipment
Regulations 2012/3032

Penrith, 25-1-2021

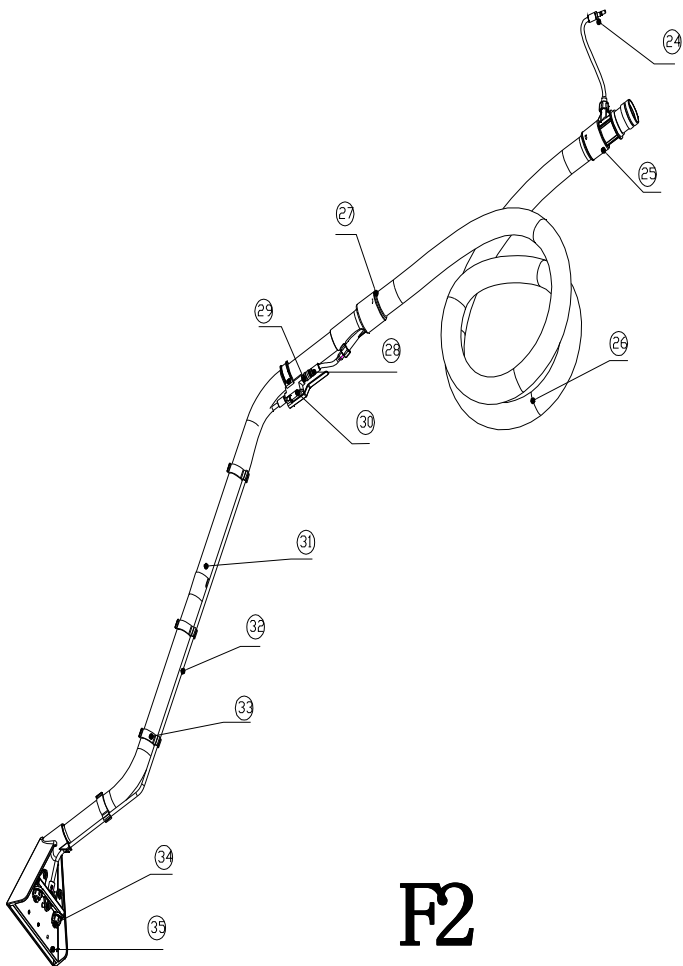
A handwritten signature in black ink, appearing to read "Stewart Dennett". The signature is written in a cursive style with some loops and flourishes.

Stewart Dennett
GM/MD

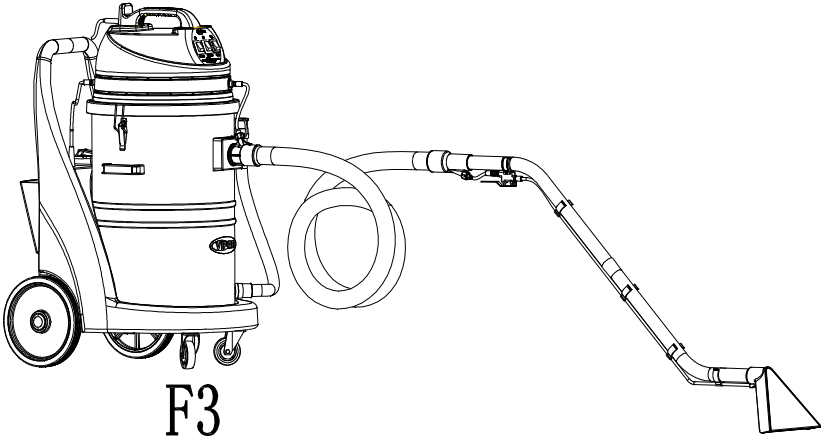
ENGLISH	Operation Guidelines.....	3-6. 7-10
FRANÇAIS	Directives d'utilisation.....	3-6. 11-14
ΕΛΛΗΝΙΚΑ	Οδηγίες λειτουργίας	3-6. 15-18
MAGYAR	Kezelői kézikönyv.....	3-6. 19-22
ITALIANO	Linee guida di funzionamento.....	3-6. 23-26
POLSKI	Wytyczne odnośnie eksploatacji.....	3-6. 27-30
PORTUGUÊS	Directrizes de Operação.....	3-6. 31-34
ROMÂNĂ	Instrucțiuni de utilizare.....	3-6. 35-38
РУССКИЙ	Советы по эксплуатации.....	3-6. 39-42
ESPAÑOL	Guía de funcionamiento.....	3-6. 43-46
TÜRKÇE	Kullanım Talimatları.....	3-6. 47-50
БЪЛГАРСКИ	Инструкции за експлоатация.....	3-6. 51-54
ČESKÝ	Pokyny k obsluze.....	3-6. 55-58
SLOVENSKÝ	Pokyny pre obsluhu	3-6. 59-62
DEUTSCH	Betriebsrichtlinien.....	3-6. 63-66
NEDERLANDS	Richtlijnen voor het bedienen.....	3-6. 67-70
KITAJSKO	Čistilec za suho in mokro čiščenje	3-6. 71-74
Dansk	Brugsanvisning.....	3-6. 75-78
Svenska	Driftsanvisningar.....	3-6. 79-82
Norsk	Bruksanvisning.....	3-6. 83-86
Suomi	Käyttöohjeet.....	3-6. 87-90



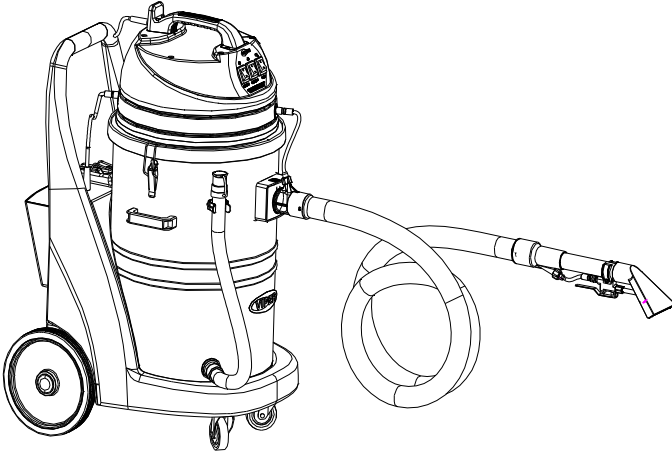
F1



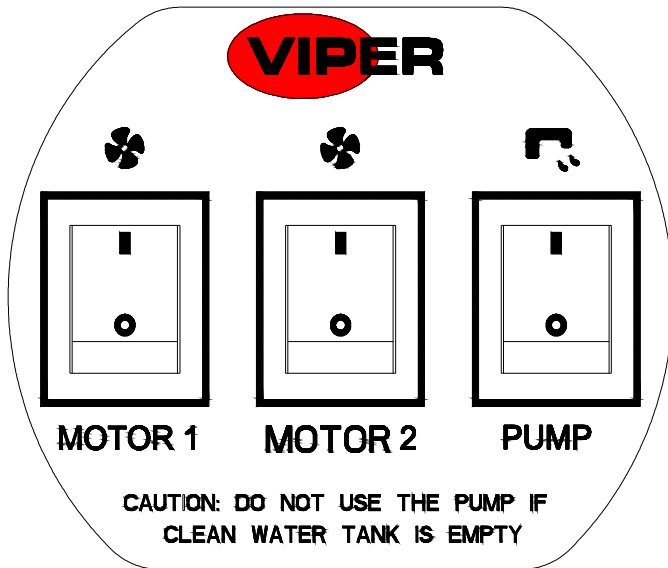
F2



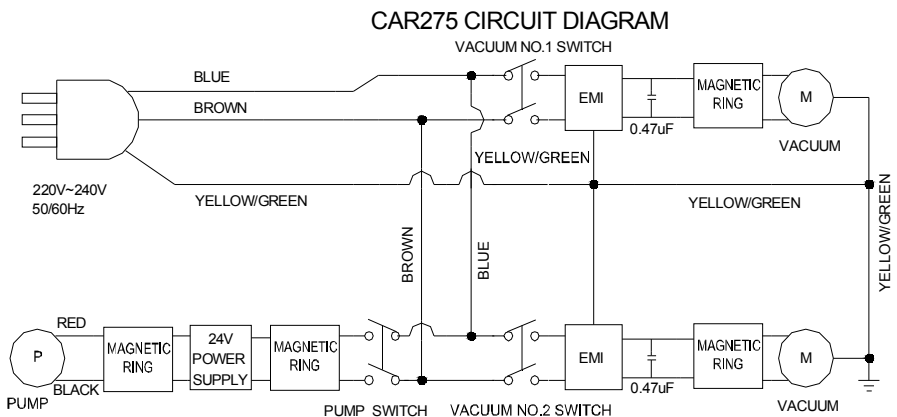
F3



F4



F5



Introduction:

This manual is to be used for an understanding of Viper and a mastery of the operation and use of CAR275.

This manual should be read thoroughly before use.

This device is a commercial carpet cleaner.

Description of the construction of the device

For parts diagrams of the construction of CAR275, refer to “F1”Diagram on Page 3 and “F2” Diagram on Page 4.

1. Headpiece handle hook 2. Power cord 3. Headpiece water pump inlet fast female connector 4. Water tank fastener 5. Drain water tank hind fastener hook 6. Tank handle 7. Stainless steel drain water tank 8. On/off switch panel 9. Headpiece water pump outlet fast female connector 10. Headpiece assembly 11. Stainless steel foam protection mesh 12. Dust filter 13. Suction hose base button 14. Suction hose base 15. Draining hose 16. clean water tank lid 17. Spare tank 18. 10-inch hind wheel 19. Water tank fastener 20. Clean water tank hose fast male connector component 21. 25-liter clear water tank base 22. 3.5”directional wheel 23. Water drainage lid 24. Male connector component for the base of the suction hose 25. Connector for the corrugated hose at the base of the suction hose 26. Corrugated hose 27. Connector for the corrugated hose of the metal elbow end 28. Fast male connector of the metal elbow end 29. Threaded fast female connector of the on/off switch panel 30. Control valve 31. Metal elbow end component 32. PU water hose 33. PU water hose retaining clips 34. 110° nozzle 35. 10” transparent triangular rake component 36. Unscrewing sliding button

Instructions

1. Fill the clean water tank with an appropriate quantity of clean water or soluble low foaming solution with cleaning agents (Attention: No dirt and sand grains should be present). The soluble solution to be used to fill the clean water tank must be kept at 5 cm below the water inlet of the clean water tank, in order to avoid spilling when the machine is in operation. Turn the lid of the clean water tank tight.
2. Fix the headpiece onto the 75-liter drain water tank, and fasten well (Attention: for ease of use, the operation control panel of the headpiece should face the direction of the suction set of the drain water tank).
3. Referring to the F2 diagram, connect well the metal elbow component, fix the triangular assembly, and adjust to the appropriate direction of operation. Fix well the PU water hose retaining clips, and fix the on/off control to the handle end of the metal elbow hose. Fix well the hexagon nuts. Insert the fast male connector of the metal elbow hose end to the threaded fast female connector of the on/off switch panel.
4. Insert the flexible hose of the suction hose end to the suction hose end, and insert the water hose male connector component to the fast female connector of the outlet of the headpiece water pump.
5. Insert the male connector component of the outlet hose of the clean water tank into the fast female connector of the water inlet of the headpiece water pump.

(The way to insert and pull out the fast male and female connectors: Push forward the threaded sliding button, insert the male connector, then release the sliding button, and it is locked automatically. When disconnection is required, push the threaded sliding button of the female connector and pull out the male connector.)

6. On completing the connections as shown in F3 Diagram, plug in the power, turn on the red suction motor switch, and use this device to vacuum any debris before cleaning:

Attention: When no water is required for carpet cleaning or when the clean water tank is empty, do not turn on the green water pump switch. Otherwise the function of the water pump will be wasted.

7. Plug in the power, turn on the red suction motor switch and the green water pump control switch, and use the hand to hold the control valve. The carpet is now ready for cleaning and for extracting water and moisture. (This device has a high vacuum capacity and the dehydration rate is around 90%). After cleaning, the carpet may be air dried.

The two red on/off “MOTOR 1” and “MOTOR 2” switches of the Headpiece panel in F5 Diagram are the on/off vacuum suction motor control switches for the creation of vacuum suction. The green on/off “PUMP” switch is the control switch of the water pump.

This device may clean carpets of any quality, such as pure wool, synthetics, nylon, plant fiber, woven woolen blankets, and long and short woolen blankets. It can soften the fibers of carpets, recover the bounciness of carpets, and lengthen the life of rubbed and cleansed carpets.

The device uses stainless steel foam-protected mesh so that no foam enters the headpiece during operation. When foam has become excessive, the addition of a foam-dissolving agent or a low foaming chemical is recommended.

Attention: Do not use water at high temperatures when cleaning carpets. The result would be better if lukewarm water is used, especially in relatively cold regions. Never use water with a temperature higher than 40 °C.

When it is fully filled with water, the float will rise to block the air-intake of the headpiece. At such a time, the device may not suck in water in the normal manner, and the water ejected from the nozzle may not be sucked in through the transparent triangular rake. The noise may suddenly become louder. In such a case, turn off the power, take the device to a drainage area, and open the drain water hose to empty the tank of the foul water inside.

When completed, make sure the dirty water in the drain water tank is fully drained. The remaining unused water in the clean water tank should be drained through the outlet at the base. Use a dry towel to clean the body of the device, and replace the power cord on the handle hook of the headpiece.

Terms and Conditions of Warranty

When any Viper product is used within half a year (from the date of the purchase invoice) and if found defective through non-human causes and when determined to be true by our company, the device will be repaired free of charge or parts will be replaced (except vulnerable parts). The following conditions, however, are not covered by the warranty:

1. Product damage caused by improper operation;
2. Self-disassembling or changes made to the device and man-made damages;
3. Man-made damages and/or distortions done to the appearance of the device.

For enquiry on the quality or operation of the product, please contact the service department of our distribution and sales centers in time.



Care and Maintenance

▲ Attention: When care and maintenance is done, make sure the power cord plug is pulled out from the socket.

1. Make sure the power cord is intact.
2. Clean the device after use. Make sure the drain water tank is free of foul water, dirt or dust. Drain off completely any unused water in the clean water tank.
3. After vacuuming, the dust filter must be beaten forcibly.
4. To ensure the water pressure in the pump is good, it is needed to regularly take out the filter at the import point for removing the blockage and take out the filter at the nozzle part for removing the blockage.
5. The stainless steel foam-protection mesh should be regularly cleansed of woolen fluffs to avoid unfavorable effect on suction.
6. After cleaning the dust bag and the dust filter, they must be completely dry when re-used.
7. The motor carbon brush must be replaced when damaged through over-use.
8. Make sure the voltage in use is compatible with that marked on the label of the device.
9. If the power cord is damaged, the after-sales service department must be contacted for replacement in order to avoid danger.

Warning

Safety must be considered at all times when an electrical device is used. In order to ensure safe operation of the device, it is necessary to give it regular care and maintenance.

Our company will not be held responsible for any safety accidents caused by a lack of care and maintenance or by untimely replacement of defective parts.

The following substances must not be used in this device:

Harmful powder, searing substances (for example: burning cigarette, hot ash, inflammable liquids (petrol, solvents, acid and alkali corrosive liquids), inflammable powder (for example: magnesium and aluminum powder)

Power Cord

▲ If the external socket does not match the plug of the power cord of this device, cut off the plug of this device and fix an appropriate plug in its stead. The wires inside the power cord are labeled in accordance with the following regulations:

Blue wire ----- neutral wire (Zero wire)

Brown wire -----live wire

Yellow-green wire -----earth wire

The blue wire connects with the terminal marked with “N”; the brown wire and the terminal “L” connect with the



device; and the earth wire is marked with “E”.

Parts and accessories are changed without notice.

Circuit Connection Diagram

For circuit connection diagram, refer to “Figure 1” on Page 6.

Product Specification Parameter

For specification parameter, refer to “Form 1”.

CAR275 Specification Parameter (Form1)

Voltage(V)	220~240
Frequency(Hz)	50/60
Power(W)	2000
Vacuum(mmH ₂ O)	2005
Max. Air Flow (ltr/min)	5000
Noise(dBA)	78
Drain Water Tank Capacity(L)	75
Clean Water Tank Capacity(L)	25
Operation Diameter(m)	14m
Power Cord Length(m)	10m

Introduction:

Ce manuel doit être utilisé pour la compréhension de Viper et une maîtrise du fonctionnement et de l'utilisation de CAR275.

Ce manuel doit être lu attentivement avant l'utilisation.

Cet appareil est un produit de nettoyage de tapis commerciaux.

Description de la construction de l'appareil

Pour les schémas des parties de la construction de CAR275, reportez-vous au schéma "F1" de la page 3 et au schéma "F2" de la page 4.

1. Casque du crochet de la poignée 2. Cordon d'alimentation 3. Casque de la pompe à eau du connecteur rapide femelle 4. Fixation du réservoir d'eau 5. Crochet de fixation arrière de la vidange du réservoir d'eau 6. Poignée du réservoir 7. Vidange du réservoir d'eau en acier inoxydable 8. Interrupteur marche/arrêt 9. Casque de la pompe à eau du connecteur rapide femelle 10. Assemblage du casque 11. Mousse de protection en maille d'acier inoxydable 12. Filtre à poussières 13. Bouton de la base flexible d'aspiration 14. Base du tuyau d'aspiration 15. Tuyau de vidange 16. Couvercle du réservoir d'eau propre 17. Réservoir de rechange 18. Roue arrière 10 pouces 19. Fixation du réservoir d'eau 20. Tuyau composante rapide connecteur mâle du réservoir d'eau propre 21. Base du réservoir d'eau propre de 25 litres 22. Roue directionnelle 3.5" 23. Couvercle d'évacuation d'eau 24. Composant connecteur mâle pour la base du tuyau d'aspiration 25. Connecteur du tuyau ondulé à la base du tuyau d'aspiration 26. Tuyau ondulé 27. Connecteur du tuyau ondulé de l'extrémité du coude métallique 28. Connecteur rapide mâle de l'extrémité du coude métallique 29. Raccord fileté rapide femelle de l'interrupteur Marche/Arrêt 30. Commande de la soupape 31. Composant métallique d'extrémité du coude 32. Tuyau d'eau PU 33. Clips de fixation du tuyau d'eau PU 34. Buse 110° 35. Composant transparent du râteau triangulaire de 10" 36. Bouton coulissant dévisser

Instructions

1. Remplir le réservoir d'eau propre avec une quantité appropriée d'eau propre ou de solution aqueuse avec des agents de nettoyage (Attention: Aucuns grains de poussière et de sable doivent être présents). La solution aqueuse à utiliser pour remplir le réservoir d'eau propre doit être maintenu à 5 cm en dessous de l'entrée d'eau du réservoir d'eau propre, de manière à ne pas la renverser lorsque la machine est en fonctionnement. Serrer le couvercle du réservoir d'eau propre
2. Fixer le casque sur le réservoir d'eau de vidange de 75 litres et serrer fermement (Attention: pour la facilité d'utilisation, le panneau de commande de fonctionnement du casque doit faire face à la direction de l'ensemble de l'aspiration du réservoir des eaux usées).
3. En vous référant au schéma F2, bien connecter le composant du coude métallique, fixer l'assemblage triangulaire, et ajuster les à la direction de fonctionnement approprié. Fixer correctement le clip de fixation du tuyau d'eau PU et fixer la commande Marche/Arrêt à l'extrémité de la poignée du tuyau coudé en métal. Fixer correctement les écrous hexagonaux. Insérer le connecteur rapide mâle de l'extrémité du tuyau métallique coudé avec le raccord femelle rapide de l'interrupteur Marche/Arrêt.
4. Insérer le tuyau ondulé de l'extrémité du tuyau d'aspiration à l'extrémité du tuyau d'aspiration, et insérer

le composant du connecteur du tuyau d'eau mâle dans le connecteur femelle à la sortie du casque de la pompe à eau.

5. Insérer le composant connecteur mâle du tuyau de sortie du réservoir d'eau propre dans le connecteur femelle rapide d'arrivée d'eau du casque de la pompe à eau.

(La façon d'insérer et de retirer les connecteurs rapides mâles et femelles: Poussez le bouton coulissant fileté, insérer le connecteur mâle, puis relâcher le bouton coulissant, et il se verrouille automatiquement. Lorsque la déconnexion est nécessaire, appuyer sur le bouton coulissant fileté du connecteur femelle et tirer sur le connecteur mâle.)

6. Afin de terminer les connexions comme indiqué dans le schéma F3, brancher l'alimentation, mettre l'interrupteur de la pompe d'aspiration rouge, et utiliser cet appareil pour aspirer :

Attention: Lorsque l'eau n'est pas nécessaire pour le nettoyage de tapis ou lorsque le réservoir d'eau propre est vide, ne pas allumer l'interrupteur de la pompe à eau verte. Sinon, la fonction de la pompe à eau sera gaspillée.

7. Branchez l'alimentation, mettre l'interrupteur de la pompe d'aspiration rouge et le commutateur de commande de la pompe à eau verte, à l'aide de votre main, maintenir la vanne de régulation. Le tapis est maintenant prêt pour le nettoyage pour extraire l'eau et l'humidité. (Cet appareil a une capacité d'aspiration élevée et le taux de déshydratation est d'environ 90%). Après le nettoyage, le tapis peut être séché à l'air.

Les deux interrupteurs rouges "MOTOR 1" et "MOTOR 2" du panneau de casque dans le schéma F5 sont les interrupteurs marche/arrêt d'aspiration sous vide de contrôle du moteur pour la création d'aspiration sous vide. L'interrupteur vert Marche/Arrêt "PUMP" est l'interrupteur de commande de la pompe à eau.

Cet appareil peut nettoyer les tapis de toute qualité, telles que pure laine, synthétique, nylon, fibres végétales, couvertures de laine tissés, couvertures de laine longue et courte. Il peut assouplir les fibres de tapis, récupérer la souplesse du tapis, et allonger la durée de vie du tapis frotté et nettoyé.

Cet appareil utilise une mousse en acier inoxydable protégé par maille pour que personne ne pénètre dans le casque pendant le fonctionnement. Lorsque la mousse est devenue excessive, l'addition d'un agent de dissolution de la mousse est recommandée.

Attention: Ne pas utiliser d'eau à des températures élevées lors du nettoyage de tapis. Le résultat serait meilleur si de l'eau tiède est utilisée, en particulier dans les régions relativement froides. Ne jamais utiliser de l'eau avec une température supérieure à 40 ° C.

Quand il est complètement rempli d'eau, le flotteur monte pour bloquer l'entrée d'air du casque. Dans un tel cas, l'appareil ne peut pas aspirer l'eau de manière habituelle, et l'eau éjectée de la buse ne doit pas être aspiré par le râteau triangulaire transparent. Le bruit peut soudainement devenir plus fort. Dans un tel cas, mettre l'appareil hors tension, prendre le périphérique à une zone de drainage, et ouvrir le tuyau de vidange pour vider le réservoir d'eau sale à l'intérieur.

Lorsque vous avez terminé, assurez-vous que l'eau sale dans le réservoir d'eau de vidange est complètement déchargée. Le reste de l'eau non utilisée dans le réservoir d'eau propre doit être évacuée par la sortie à la base. Utiliser un linge sec pour nettoyer le corps de l'appareil, et remplacer le câble d'alimentation sur le casque du

crochet de la poignée.

Termes et conditions de garantie

Lorsque tout produit Viper est utilisé au cours d'une demi-année (à partir de la date de la facture d'achat) et s'il est défectueux pour cause mécanique et lorsque notre société juge que la cause est véritable, l'appareil sera réparé gratuitement ou les pièces seront remplacées (sauf les parties vulnérables). Cependant, les conditions suivantes ne sont pas couvertes par la garantie:

1. Les dégâts matériels causés par une mauvaise utilisation;
2. Auto-dissimulation ou modifications apportées à l'appareil et dommages-intérêts artificielles;
3. Des dommages synthétiques et / ou des distorsions fait à l'appareil.

Pour tout renseignement sur la qualité ou le fonctionnement du produit, veuillez contacter le service après-vente de nos centres de distribution et de vente à temps.

Soin et Entretien



Attention: Lorsque les soins et l'entretien sont terminés, assurez-vous que le cordon d'alimentation est débranché de la prise de courant.

1. S'assurer que le cordon d'alimentation est intact.
2. Nettoyer l'appareil après chaque utilisation. Assurez-vous que le réservoir des eaux usées est libre de l'eau sale, de la saleté ou de la poussière. Égoutter complètement toute l'eau utilisée dans le réservoir d'eau propre.
3. Après aspiration, le filtre à poussière doit être fortement battu.
4. Afin de s'assurer que la pression d'eau dans la pompe est correcte, il est nécessaire de retirer régulièrement le filtre au point d'importation pour enlever les obstructions et de retirer le filtre au niveau de l'embout pour enlever les obstructions.
5. La mousse en acier inoxydable de protection des mailles doit être régulièrement nettoyée de peluches de laine pour éviter un effet défavorable sur l'aspiration.
6. Après avoir nettoyé le sac à poussière et le filtre à poussière, ils doivent être complètement secs avant de les réutiliser.
7. Le balai en carbone du moteur doit être remplacé lorsqu'il est endommagé par une utilisation excessive.
8. Assurez-vous que la tension d'utilisation est compatible avec celle indiquée sur l'étiquette de l'appareil.
9. Si le cordon d'alimentation est endommagé, le service après-vente doit être contacté pour un remplacement afin d'éviter tout danger.

Avertissement

La sécurité doit être considérée en tout temps lorsqu'un appareil électrique est utilisé. Afin de garantir un fonctionnement sûr de l'appareil, il est nécessaire de lui donner des soins et un entretien régulier.

Notre société ne saurait être tenue responsable des accidents causés par la sécurité d'un manque de soins et

d'entretien ou par le remplacement prématuré des pièces défectueuses.

- Les substances suivantes ne doivent pas être utilisées dans cet appareil:

Poudres nocives, substances sévères (par exemple: cigarette en combustion, cendres chaudes, liquides inflammables essence, des solvants, liquides acides et alcalins corrosifs), poudre inflammable (par exemple: le magnésium et l'aluminium en poudre)

Cordon d'alimentation



Si la prise externe ne correspond pas à la fiche du cordon d'alimentation de cet appareil, retirer la fiche de cet appareil et fixer une fiche appropriée à sa place. Les fils à l'intérieur du cordon d'alimentation sont étiquetés conformément aux règles suivantes:

Fil bleu ----- fil neutre (zéro fils)

Fil marron ----- fil sous tension

Fil Jaune-vert -----fil de terre

Le fil bleu se connecte à la borne marquée "N", le fil brun et la borne "L" en contact avec l'appareil et le fil de terre est marquée par "E".

Pièces et accessoires sont modifiables sans préavis.

Schéma de raccordement du circuit

Pour le schéma du circuit de raccordement, reportez-vous à la «Figure 1» à la page 6.

Paramètre de spécification du produit

Pour le paramètre de spécification, voir le "Formulaire 1" .

CAR275 Spécification des paramètres (Form1)

Tension (V)	220~240
Fréquence (Hz)	50/60
Puissance(W)	2000
Aspirateur (mmH2O)	2005
Débit d'air (litre/min)	3115
Bruit (dB)	78
Capacité du réservoir de vidange d'eau (L)	75
Capacité réservoir d'eau propre(L)	25
Diamètre de fonctionnement(m)	14m
Longueur du cordon d'alimentation(m)	10m

Εισαγωγή:

Για να κατανοήσετε την Viper και για άρτια γνώση της λειτουργίας και χρήσης του CAR275 πρέπει να χρησιμοποιήσετε αυτό το εγχειρίδιο.

Θα πρέπει να διαβάσετε το εγχειρίδιο προσεκτικά πριν από τη χρήση.

Αυτή η συσκευή είναι ένα εμπορικό μηχάνημα καθαρισμού χαλιών και μοκετών.

Περιγραφή δομής της συσκευής

Για διαγράμματα των εξαρτημάτων του CAR275, ανατρέξτε στο διάγραμμα «F1» στη σελίδα 3 και στο διάγραμμα «F2» στη σελίδα 4.

1. Γάντζος τοποθέτησης της κεφαλής 2. Καλώδιο τροφοδοσίας 3. Θηλυκή ταχυσύνδεσμος υποδοχή για την είσοδο της νερού, στην περιοχή της κεφαλής 4. Προσδετήρας δεξαμενής νερού 5. Πίσω άγκιστρο προσδετήρα δεξαμενής αποστράγγισης νερού 6. Χερούλι δεξαμενής 7. Δεξαμενή αποστράγγισης νερού από ανοξείδωτο ατσάλι 8. Πίνακας διακοπών on/off (για άνοιγμα / κλείσιμο) 9. Θηλυκή ταχυσύνδεσμος υποδοχή για έξοδο του νερού, στην περιοχή της κεφαλής 10. Μηχανισμός της κεφαλής 11. Πλέγμα προστασίας από τον αφρό, από ανοξείδωτο ατσάλι 12. Φίλτρο σκόνης 13. Κουμπί βάσης του σωλήνα αναρρόφησης 14. Βάση σωλήνα αναρρόφησης 15. Σωλήνας αποστράγγισης 16. Καπάκι της δεξαμενής καθαρού νερού 17. Επιπλέον δεξαμενή 18. Οπίσθιος τροχός 10 ιντσών 19. Προσδετήρας δεξαμενής νερού 20. Εξάρτημα αρσενικής ταχυσυνδέσμου υποδοχής, του σωλήνα δεξαμενής καθαρού νερού 21. Διαφανής βάση δεξαμενής νερού χωρητικότητας 25 λίτρων 22. Περιστρεφόμενος τροχός 3,5 ιντσών 23. Καπάκι αποστράγγισης νερού 24. Αρσενικό εξάρτημα πρόσδεσης για τη βάση του σωλήνα αναρρόφησης 25. Υποδοχή του ελαστικού σωλήνα στη βάση του σωλήνα αναρρόφησης 26. Ελαστικός σωλήνας 27. Υποδοχή του μεταλλικού άκρου του ελαστικού σωλήνα 28. Αρσενικό ταχυσύνδεσμο βύσμα για το μεταλλικό άκρο 29. Θηλυκή σπειρωτή ταχυσύνδεσμος υποδοχή για τον πίνακα διακοπών on/off 30. Βαλβίδα ελέγχου 31. Μέρος του μεταλλικού άκρου 32. Σωλήνας νερού από πολυουρεθάνη 33. Κλιπ συγκράτησης του σωλήνα νερού από πολυουρεθάνη 34. Ακροφύσιο 110° 35. Διαφανές τριγωνικό στόμιο 10 ιντσών 36. Συρόμενο κουμπί ξεβιδώματος

Οδηγίες

1. Γεμίστε τη δεξαμενή καθαρού νερού με την κατάλληλη ποσότητα καθαρού νερού ή υδατικού διαλύματος με απορρυπαντικό (Προσοχή: Δε θα πρέπει να υπάρχουν κόκκοι σκουπιδιών και άμμου). Το υδατικό διάλυμα που θα χρησιμοποιηθεί για να γεμίσει την δεξαμενή καθαρού νερού πρέπει να φτάνει 5 εκατοστά κάτω από την είσοδο νερού της δεξαμενής καθαρού νερού, έτσι ώστε να μη χύνεται νερό όταν το μηχάνημα είναι σε λειτουργία. Στρίψτε σφιχτά το καπάκι της δεξαμενής καθαρού νερού.
2. Στερεώστε καλά την κεφαλή πάνω στη δεξαμενή αποστράγγισης νερού χωρητικότητας 75 λίτρων (Προσοχή: για ευκολία στη χρήση, ο πίνακας ελέγχου λειτουργίας της κεφαλής θα πρέπει να βλέπει προς την κατεύθυνση του συστήματος αναρρόφησης της δεξαμενής αποστράγγισης νερού).
3. Αναφερόμενοι στο διάγραμμα F2, συνδέστε καλά τη μεταλλική γωνία, στερεώστε τον τριγωνικό μηχανισμό, και προσαρμόστε τον προς την κατάλληλη κατεύθυνση λειτουργίας. Στερεώστε καλά τα κλιπ συγκράτησης του σωλήνα νερού από πολυουρεθάνη, και τοποθετήστε το κουμπί λειτουργίας στο άκρο της λαβής της μεταλλικής γωνίας σωλήνα. Σφίξτε καλά τα εξαγωνικά παξιμάδια. Εισάγετε το αρσενικό ταχυσύνδεσμο βύσμα της μεταλλικής γωνίας του σωλήνα στη θηλυκή σπειρωτή ταχυσύνδεσμο υποδοχή του πίνακα κουμπιών on/off.



4. Τοποθετήστε τον ελαστικό σωλήνα του άκρου του σωλήνα αναρρόφησης στο άκρο του σωλήνα αναρρόφησης, και τοποθετήστε το αρσενικό βύσμα πρόσδεσης του σωλήνα νερού στη θηλυκή ταχυσύνδεσμο υποδοχή εξόδου, της κεφαλής της αντλίας νερού.

5. Τοποθετήστε το αρσενικό βύσμα σύνδεσης του σωλήνα εξόδου της δεξαμενής καθαρού νερού στη θηλυκή ταχυσύνδεσμο υποδοχή της εισόδου νερού, της κεφαλής της αντλίας νερού.

(Ο τρόπος για να εισάγετε και τραβήξετε προς τα έξω τα αρσενικά και θηλυκά βύσματα είναι ο εξής: Σπρώξτε το σπειρωτό συρόμενο κουμπί προς τα εμπρός, τοποθετήστε το αρσενικό βύσμα, στη συνέχεια απελευθερώστε το συρόμενο κουμπί και αυτόματα θα κλειδώσει. Όταν θέλετε να κάνετε αποσύνδεση, πιέστε το σπειρωτό συρόμενο κουμπί και τη θηλυκή υποδοχή και τραβήξετε προς τα έξω το αρσενικό βύσμα.)

6. Με την ολοκλήρωση των συνδέσεων, όπως απεικονίζονται στο Διάγραμμα F3, συνδέστε το ηλεκτρικό ρεύμα, ενεργοποιήστε τον κόκκινο διακόπτη της αντλίας αναρρόφησης, και χρησιμοποιήστε αυτή τη συσκευή για αναρρόφηση:

Προσοχή: Όταν δε χρειάζεται νερό για τον καθαρισμό χαλιών ή όταν αδειάσει η δεξαμενή καθαρού νερού, μην ενεργοποιήσετε το πράσινο διακόπτη της αντλίας νερού. Μ' αυτό τον τρόπο λειτουργεί άδικα η αντλία νερού.

7. Συνδέστε με το ρεύμα, ενεργοποιήστε τον κόκκινο διακόπτη της αντλίας αναρρόφησης και τον πράσινο διακόπτη της αντλίας ελέγχου νερού, και με το χέρι σας κρατήστε τη βαλβίδα ελέγχου. Το χαλί είναι τώρα έτοιμο για καθαρισμό και για την αναρρόφηση νερού και υγρασίας. (Αυτή η συσκευή έχει υψηλή ικανότητα απορρόφησης και ο συντελεστής απομάκρυνσης υγρού είναι περίπου 90%). Μετά τον καθαρισμό, το χαλί μπορεί να στεγνώσει με τον αέρα.

Οι δύο κόκκινοι διακόπτες on/off "MOTOR 1" και "MOTOR 2" του πίνακα της κεφαλής στο διάγραμμα F5 είναι οι διακόπτες on/off ελέγχου του κινητήρα αναρρόφησης για τη δημιουργία αναρρόφησης. Ο πράσινος διακόπτης on/off «PUMP» (Αντλία) είναι ο διακόπτης ελέγχου της αντλίας νερού.

Αυτή η συσκευή μπορεί να καθαρίσει χαλιά κάθε ποιότητας, όπως αγνό παρθένο μαλλί, συνθετικές ίνες, νάilon, φυτικές ίνες, υφαντές μάλλινες κουβέρτες, μικρές ή μεγάλες μάλλινες κουβέρτες. Μπορεί να μαλακώσει τις ίνες των χαλιών, να ανανεώσει την ελαστικότητά τους, και να επιμηκύνει τη διάρκεια ζωής χαλιών που έχουν υποστεί πολλά τριψίματα και καθαρίσματα.

Αυτή η συσκευή χρησιμοποιεί πλέγμα προστασίας από τον αφρό, φτιαγμένο από ανοξειδωτο ατσάλι, έτσι ώστε να μην εισέρχεται αφρός στην κεφαλή κατά τη λειτουργία. Όταν διογκωθεί ο αφρός υπερβολικά, συνιστάται η προσθήκη αποαφριστικού.

Προσοχή: Μην χρησιμοποιείτε νερό σε υψηλές θερμοκρασίες όταν καθαρίζετε χαλιά. Θα έχετε καλύτερα αποτελέσματα εάν χρησιμοποιείτε χλιαρό νερό, ειδικά σε σχετικά ψυχρές περιοχές. Ποτέ μην χρησιμοποιείτε νερό σε θερμοκρασία μεγαλύτερη από 40° C.

Όταν γεμίσει πλήρως με νερό, το φλοτέρ ανεβαίνει και εμποδίζει την πρόσληψη αέρα από την κεφαλή. Σ' αυτή την περίπτωση, η συσκευή δεν μπορεί να αναρροφά νερό με το συνήθη τρόπο, και το νερό που εκτοξεύεται από το ακροφύσιο δεν αναρροφάται μέσα από το διαφανές τριγωνικό στόμιο. Ο θόρυβος μπορεί ξαφνικά να δυναμώσει. Σε μια τέτοια περίπτωση, απενεργοποιήστε το μηχάνημα, πηγαίνετε τη συσκευή σε περιοχή αποστράγγισης, και ανοίξτε το σωλήνα αποστράγγισης νερού για να αδειάσει η δεξαμενή βρόμικου νερού.

Όταν ολοκληρωθεί η διαδικασία, φροντίστε να έχει αποστραγγίσει πλήρως το βρόμικο νερό στη δεξαμενή αποστράγγισης νερού. Το υπόλοιπο, αχρησιμοποίητο νερό στη δεξαμενή καθαρού νερού θα πρέπει να το αποστραγγίσετε από την έξοδο νερού που βρίσκεται στη βάση. Με μία στεγνή πετσέτα καθαρίστε το εξωτερικό της συσκευής, και τοποθετήστε το καλώδιο τροφοδοσίας στο γάντζο που βρίσκεται στην κεφαλή.

Όροι και προϋποθέσεις της εγγύησης

Όταν κάποιο προϊόν Viper χρησιμοποιηθεί μέσα σε ένα εξάμηνο (από την ημερομηνία έκδοσης του τιμολογίου αγοράς), βρεθεί ελαττωματικό από εξωτερικά αίτια κι αυτό επιβεβαιωθεί ως αληθές από την εταιρεία μας, η συσκευή θα πρέπει να επισκευαστεί δωρεάν ή να γίνει αντικατάσταση εξαρτημάτων (εκτός από ευπαθή τμήματα). Οι ακόλουθοι όροι, ωστόσο, δεν καλύπτονται από την εγγύηση:

1. Βλάβες του προϊόντος που προκλήθηκαν από λάθος λειτουργία,
2. Αλλαγές στη συσκευή, βλάβες και αποσυναρμολόγηση του μηχανήματος από κάποιον,
3. Ζημιές ή / και αλλοιώσεις στην εμφάνιση της συσκευής που έχουν προκληθεί από κάποιον.

Για απορίες σχετικά με την ποιότητα ή τη λειτουργία του προϊόντος, παρακαλούμε επικοινωνήστε έγκαιρα με το τμήμα εξυπηρέτησης των κέντρων διανομής και πωλήσεων της εταιρείας μας.

Φροντίδα και συντήρηση



Προσοχή: Όταν γίνεται φροντίδα και συντήρηση, φροντίστε το βύσμα του καλωδίου τροφοδοσίας να μην είναι στην πρίζα.

1. Φροντίστε το καλώδιο τροφοδοσίας να είναι άθιχτο.
2. Καθαρίστε τη συσκευή μετά τη χρήση. Φροντίστε η δεξαμενή νερού αποστράγγισης να μην περιέχει βρόμικο νερό, σκουπίδια ή σκόνη. Αποστραγγίστε τη δεξαμενή πλήρως, ώστε να μην υπάρχει καθόλου χρησιμοποιημένο νερό στη δεξαμενή καθαρού νερού.
3. Μετά την αναρρόφηση, πρέπει να χτυπήσετε με δύναμη το φίλτρο σκόνης για να καθαρίσει.
4. Για να έχει η αντλία καλή πίεση νερού, είναι απαραίτητο να βγάζετε τακτικά το φίλτρο και από το σημείο εισαγωγής, καθώς και από το τμήμα του ακροφυσίου, και να αφαιρείτε τυχόν αποφράξεις.
5. Το πλέγμα προστασίας από τον αφρό, από ανοδεϊδωτο ατσάλι, θα πρέπει να το καθαρίζετε συχνά από τα χνούδια, ώστε η αναρρόφηση να λειτουργεί πάντα καλά.
6. Αφού καθαρίσετε τη σακούλα σκόνης και το φίλτρο σκόνης, θα πρέπει και τα δύο να είναι τελείως στεγνά στην επόμενη χρήση.
7. Το καρβουνάκι του κινητήρα πρέπει να αντικατασταθεί σε περίπτωση ζημιάς από υπερβολική χρήση.
8. Φροντίστε η τάση ρεύματος να είναι ανάλογη με την τάση που επισημαίνεται στην ετικέτα της συσκευής.
9. Εάν πάθει ζημιά το καλώδιο τροφοδοσίας, θα πρέπει να έλθετε σε επαφή με το τμήμα εξυπηρέτησης πελατών για να το αντικαταστήσετε, ώστε να αποφευχθεί πιθανός κίνδυνος.

Προειδοποίηση

Κάθε φορά που χρησιμοποιείται μια ηλεκτρική συσκευή θα πρέπει να γίνεται με ασφάλεια. Για να διασφαλιστεί

ασφαλής λειτουργία της συσκευής, πρέπει να γίνεται τακτική φροντίδα και συντήρηση.

Η εταιρεία μας δε φέρει ευθύνη για τυχόν ατυχήματα ασφαλείας που προκαλούνται από την έλλειψη φροντίδας και συντήρησης, ή από την άκαιρη αντικατάσταση ελαττωματικών εξαρτημάτων.

➤ Σ' αυτή τη συσκευή δεν πρέπει να χρησιμοποιούνται οι παρακάτω ουσίες:

Επιβλαβή προϊόντα σε σκόνη, καυστικές ουσίες (για παράδειγμα: αναμμένο τσιγάρο, καύτρες, εύφλεκτα υγρά [βενζίνη, διαλύτες, οξέα και αλκαλικά διαβρωτικά υγρά]), ή εύφλεκτη σκόνη (για παράδειγμα: μαγνήσιο και αλουμίνιο σε σκόνη).

Καλώδιο τροφοδοσίας



Εάν η πρίζα δεν ταιριάζει με το βύσμα του καλωδίου ρεύματος αυτής της συσκευής, κόψτε το βύσμα της συσκευής αυτής και τοποθετήστε κάποιο κατάλληλο στη θέση του. Τα καλώδια μέσα στο καλώδιο τροφοδοσίας φέρουν επισήμανση σύμφωνα με τις ακόλουθες ρυθμίσεις:

Μπλε καλώδιο ----- ουδέτερο καλώδιο (μηδενικό καλώδιο)

Καφέ καλώδιο ----- καλώδιο ρεύματος

Κιτρινο-πράσινο καλώδιο ----- καλώδιο γείωσης

Το μπλε καλώδιο συνδέεται με το άκρο που γράφει «N». Το καφέ καλώδιο και το άκρο «L» συνδέονται με τη συσκευή. Και το καλώδιο γείωσης σημειώνεται με «E».

Μέρη και εξαρτήματα μπορεί ν' αλλάξουν χωρίς προειδοποίηση.

Διάγραμμα συνδεσμολογίας

Για το διάγραμμα συνδεσμολογίας, ανατρέξτε στο «Σχήμα 1», στη σελίδα 6.

Παράμετρος προδιαγραφών προϊόντος

Για τις παραμέτρους προδιαγραφών, ανατρέξτε στη «Φόρμα 1».

CAR275 Παράμετροι προδιαγραφών (Φόρμα 1)

Τάση ρεύματος (V)	220~240
Συχνότητα (Hz)	50/60
Ισχύς (W)	2000
Απορρόφηση (χλστ.Η ₂ O)	2005
(Ροή αέρα (λίτρα/λεπτό)	3115
Ήχος (dBA)	78
Δεξαμενή αποστράγγισης νερούCapacity (L)	75
Χωρητικότητα καθαρού νερού (L)	25
Διάμετρος λειτουργίας (μέτρα)	14m
Μήκος ηλεκτρικού καλωδίου (μέτρα)	10m

Bevezetés:

A kézikönyv célja a Viper megértése és a CAR275 helyes használatának elsajátítása.

A kézikönyvet használat előtt figyelmesen olvassa el.

Ez az eszköz egy kereskedelmi szőnyegtisztító.

Az eszköz leírása és szerkezete

A CAR275 alkatrészeiért hivatkozzon az "F1" ábrára a 3., valamint az "F2" ábrára a 4. oldalon.

1. Fogantyú kampó 2. Tápkábel 3. Vízzivattyú bemeneti gyors nőstény csatlakozó 4. Víztartály rögzítő
5. Szennyvíztartály rögzítő kampója 6. Tartályfogantyú 7. Rozsdamentes acél szennyvíztartály 8.
Be-/Kikapcsoló panel 9. Vízzivattyú kimeneti gyors nőstény csatlakozó 10. Fejszerkezet 11.
Rozsdamentes acél habvédő háló 12. Porszűrő 13. Szívótömlő alapgomb 14. Szívótömlő alap 15.
Vízleengedő tömlő 16. Tisztavíz tartály fedele 17. Tartalék tartály 18. 25 cm-es hátsó kerék 19.
Víztartály rögzítő 20. Tisztavíz tartály tömlő gyors hím csatlakozóelem 21. 25 literes tisztavíz tartály alap
22. 9 cm-es irányító kerék 23. Vízleeresztő fedele 24. Szívótömlő alap hím csatlakozóeleme 25.
Hullámostömlő-csatlakozó a szívótömlő alapján 26. Hullámos tömlő 27. Hullámostömlő-csatlakozó a
fém könyök oldalon 28. Fém könyök oldal gyors hím csatlakozója 29. BE-/Kikapcsoló panel gyors
nőstény csatlakozója 30. Vezérlő szelep 31. Fém könyökrész 32. Vízöntő 33. Vízöntő
tartócsipeszek 34. 110° fűvóka 35. 25 cm-es átlátszó háromszög alakú fésű 36. Lecsavarozó
csúszógomb

Utasítások

1. Töltse meg a tisztavíz tartályt megfelelő mennyiségű tiszta vízzel vagy tisztítószeres vizes oldattal (Figyelem: nem tartalmazhat szennyeződést és homokszemcséket). A kifolyás elkerülése érdekében, amikor a berendezést működteti, a tisztavíz tartály megtöltésére szolgáló vizes oldat felső szintje legfeljebb 5 cm-rel a tisztavíz tartály vízbemenete alatt lehet. Jól zárja rá a tisztavíz tartály kupakját.
2. Helyezze a fejrészt a 75 literes szennyvíz tartályra és jól rögzítse (Figyelem: a könnyű használat érdekében a fejrész kezelési panelének a szennyvíz tartály szívókészletének irányába kell néznie).
3. Az F2 ábra szerint jól csatlakoztassa a fém könyökrészt, rögzítse a háromszög alakú egységet, és állítsa be a működtetés kívánt irányát. Jól rögzítse a vízöntő tartócsipeszeket, majd rögzítse a be/ki vezérlőt a fém könyöktömlő fogantyú végéhez. Jól húzza be a hatszögletes anyákat. Csatlakoztassa a fém könyöktömlő oldal gyors hím csatlakozóját a be-/kikapcsoló panel gyors nősténycsatlakozójához.
4. Csatlakoztassa a szívótömlő vég hullámos tömlőjét a szívótömlő véghez, majd vezesse bele a vízöntő hím csatlakozóját a fejrész vízzivattyú kimenet gyors nőstény csatlakozójába.
5. Csatlakoztassa a tisztavíz tartály kimeneti tömlőjének hím csatlakozórészét a fejrész vízzivattyú vízbemenet gyors nőstény csatlakozójához.

(A gyors hím és nőstény csatlakozók csatlakoztatása és kihúzása: Tolja előre a csúszógombot, csatlakoztassa a hím csatlakozót, majd engedje el a csúszógombot, és automatikusan rögzül. Szétszerelés szükségessége esetén nyomja meg a nőstény csatlakozó csúszógombját, majd húzza ki a hím csatlakozót.)

6. Miután befejezte az összeszerelést az F3 ábra szerint, csatlakoztassa a tápkábelt, kapcsolja be a piros szívószivattyú kapcsolót, és használhatja az eszközt porszívózásra:

Figyelem: Amikor a szőnyegtisztításhoz nincs szükség vízre, vagy amikor a tisztavíz tartály üres, ne kapcsolja be a zöld vízszivattyú kapcsolót, máskülönben a vízszivattyú funkciója fölösleges lesz.

7. Csatlakoztassa a tápkábelt, kapcsolja be a piros szívószivattyú kapcsolót és a zöld vízszivattyú vezérlő kapcsolót, és kezével fogja a vezérlő szelepet. A szőnyeg tisztításra, valamint a víz és nedvesség kinyerésére kész. (Ez az eszköz magas vákuumkapacitással rendelkezik, és a dehidratálási arány körülbelül 90%). Tisztítás után a szőnyeg levegővel szárítható.

A két piros be/ki "MOTOR 1" és "MOTOR 2" kapcsoló a Fejrész panelen az F5 diagramon a be/ki vákuum szívó motor vezérlőkapcsolója, és a vákuumszívás generálását szolgálják. A zöld be/ki "PUMP" kapcsoló a vízszivattyú vezérlőkapcsolója.

A berendezés bármilyen minőségű szőnyegféle tisztítására alkalmas, legyen az gyapjú, szintetikus, műszál, növényi rostból készült, kötött gyapjútakaró, hosszú vagy rövid szálú takaró. Lágýítja a szőnyegszálakat, visszaadja a szőnyegek puhaságát, és meghosszabbítja a kidörzsölt és tisztított kárpitfélék élettartamát.

A berendezés rozsdamentes acélból készült habvédő hálóval van felszerelve, így működés közben a fejrészbe nem jut be hab. Túlhabosodás esetén habcsökkentő szer hozzáadása javasolt.

Figyelem: Szőnyegek tisztítására ne használjon nagyon meleg vizet. Langyos víz használatával jobberedményt ér el, különösen hidegebb éghajlatú régiókban. Soha ne használjon 40° C-t meghaladó hőmérsékletű vizet.

Túl sok víz esetén blokkolhatja a fejrész levegőbevitelét. Ilyenkor előfordulhat, hogy a berendezés nem hagyományos módon szívja be a vizet, és a fúvókán kijövő víz lehet, hogy nem kerül be az átlátszó háromszög alakú fésűegységen. A zaj hirtelen megnövekedhet. Ilyen esetben kapcsolja ki a tápellátást, vigye a berendezést vízleeresztési területre és nyissa ki a szennyvíztömlőt, hogy távozhasson az összegyűlt víz.

Befejezéskor ellenőrizze, hogy a fölösleges víz kifolyt-e és a víztartályt teljesen kiengedte-e. A megmaradó vízmennyiség a tisztavíz tartályban az alapzaton található kimeneten át engedhető ki. Az eszköz megtisztítására használjon tiszta törölközőt, és helyezze a tápkábelt a fejegység kampójára.

Garanciális szerződési feltételek

Ha a vásárlási számlán található dátumot követő fél éven belül a Viper termék meghibásodik, és a vállalatunk ezt bizonyíthatóan nem ember által okozott hibának ítéli meg, az eszközt díjmentesen megjavítjuk vagy a szükséges alkatrészeket kicseréljük (kivéve az érzékeny alkatrészeket). A következő okokra azonban a garancia nem vonatkozik:

1. Nem megfelelő működtetés okozta termék meghibásodás;
2. Szétszerelés vagy az eszköz módosítása a használója által;
3. Az eszköz kinézetének megváltoztatása, ember által okozott sérülés és/vagy torzulás.

Amennyiben minőséggel vagy a berendezés működtetésével kapcsolatos kérdése van, időben vegye fel a kapcsolatot a forgalmazó és értékesítési központok szervizosztályaival.



Ápolás és karbantartás



Figyelem: Ápoláskor és karbantartáskor bizonyosodjon meg arról, hogy a tápkábelt kihúzza a fali aljzatból.

1. Bizonyosodjon meg arról, hogy a tápkábel érintetlen.
2. Használat után tisztítsa meg a berendezést. Bizonyosodjon meg arról, hogy a szennyvíztartály víz-, szennyezés- és pormentes. A tisztavíz tartályból engedje ki a vizet.
3. Porszívózás után a porszűrőt jól tisztítsa meg.
4. A szivattyú helyes víznyomásának biztosítása érdekében rendszeresen ki kell venni a szűrőt a bemeneti pontnál és eltávolítani a szennyeződések, valamint kivenni a fűvókaszűrőt és eltávolítani a szennyeződések.
5. A rozsdamentes acélból készült habvédő hálót rendszeresen meg kell tisztítani, hogy megelőzze a szívás nem kívánt hatásait.
6. A porzsák és a porszűrő tisztítását követően újrahasználás előtt teljesen meg kell szárítani azokat.
7. Túlhasználata okozta elhasználódás esetén a karbonkefét ki kell cserélni.
8. Bizonyosodjon meg arról, hogy az áramkör paraméterei megfelelnek a berendezés címkéjén található értékeknek.
9. Ha a tápkábel sérült, a veszély elkerülése érdekében annak cseréjével kapcsolatosan vegye fel a kapcsolatot az értékesítés utáni szervizosztállyal.

Figyelmeztetés

Elektromos berendezés használata esetén mindig fokozottan ügyeljen a biztonságra. A berendezés biztonságos működése érdekében szükség van annak rendszeres ápolására és karbantartására.

Vállalatunk nem vonható felelősségre az elhanyagolt ápolás vagy karbantartás, vagy a hibás részek nem időben történő cseréje miatt okozott balesetekért.

➤ A berendezésbe nem teheti a következő anyagokat:

Káros porok, perzselő anyagok (például égő cigaretta, forró hamu, gyúlékony folyadékok (üzemanyag, oldószerek, savas és lúgos korrozív folyadékok), gyúlékony porok (például magnézium vagy alumínium por)

Tápkábel



Ha az eszköz külső csatlakozója nem illeszkedik a fali aljzatba, vágja le a csatlakozót és helyettesítse megfelelő csatlakozóval. A tápkábel belsejében lévő vezetékek a következő szabályzatnak megfelelően vannak jelölve:

Kék vezeték ----- semleges vezeték (nullás vezeték)

Barna vezeték ----- élő vezeték

Sárga-zöld vezeték ----- földelő vezeték

A kék vezeték az “N” jelölésű csatlakozóhoz csatlakozik; a barna vezeték és az “L” csatlakozó az eszközbe; a földelő vezeték “E” jelölésű.

Az alkatrészek és tartozékok előzetes figyelmeztetés nélkül változhatnak.

Áramkör-kapcsolási diagram

Az áramkör-kapcsolási diagramért hivatkozzon az “1. ábrára” a 6. oldalon.

Termék műszaki paraméterei

A műszaki paraméterekért hivatkozzon az “1. táblázatra”.

CAR275 Műszaki adatok (1. táblázat)

Feszültség (V)	220~240
Frekvencia (Hz)	50/60
Teljesítmény (W)	2000
Vákuum (mm H ₂ O)	2005
Légáramlás (liter/perc)	3115
Zajszint (dBA)	78
Szennyvíztartály kapacitása (l)	75
Tisztavíz tartály (l)	25
Működtetési terület átmérője (m)	14 m
Tápkábel hossza (m)	10 m

Introduzione:

Il presente manuale deve essere utilizzato per la comprensione di Viper e per acquisire una padronanza nell'esecuzione delle operazioni del CAR275.

Questo manuale deve essere letto attentamente prima dell'uso.

Questo dispositivo è un battitappeto commerciale.

Descrizione del montaggio del dispositivo

Per gli schemi delle parti per il montaggio di CAR275, far riferimento allo schema "F1" a pagina 3 e allo schema "F2" a pagina 4.

1. Maniglia a gancio della testata 2. Cavo di alimentazione 3. Connettore rapido tipo femmina della linea di ingresso della pompa d'acqua della testata 4. Fissaggio serbatoio acqua 5. Gancio di fissaggio del serbatoio acqua di scarico 6. Maniglia del serbatoio 7. Serbatoio acqua di scarico in acciaio inox 8. Pannello di comando con on/off (accensione/spegnimento) 9. Connettore rapido tipo femmina della linea di uscita della pompa d'acqua della testata 10. Gruppo testata 11. Rete di protezione della schiuma in acciaio inox 12. Filtro antipolvere 13. Pulsante base di supporto del tubo flessibile di aspirazione 14. Base di supporto del tubo di aspirazione 15. Tubo di scarico 16. Coperchio del serbatoio acqua pulita 17. Tasca parti di ricambio 18. Ruota posteriore da 10 pollici 19. Fissaggio serbatoio acqua 20. Connettore rapido tipo maschio per il tubo del serbatoio acqua pulita 21. Base di supporto del serbatoio acqua pulita da 25 litri 22. Ruota direzionale da 3.5" 23. Coperchio del drenaggio acqua 24. Connettore tipo maschio per la base di supporto del tubo di aspirazione 25. Connettore per il tubo corrugato alla base del tubo di aspirazione 26. Tubo corrugato 27. Connettore per il tubo corrugato a un'estremità del raccordo a gomito in metallo 28. Connettore rapido tipo maschio a un'estremità del raccordo a gomito in metallo 29. Connettore rapido filettato tipo femmina del pannello di accensione/spegnimento 30. Valvola di controllo 31. Componente finale a gomito in metallo 32. Tubo dell'acqua in PU 33. Clip di fissaggio del tubo dell'acqua in PU 34. Ugello a 110° 35. Componente a rastrello triangolare trasparente di 10" 36. Pulsante di scorrimento di svitamento

Istruzioni

1. Riempire il serbatoio acqua pulita con una quantità adeguata di acqua pulita o di una soluzione acquosa con detersivi (Attenzione: Non devono essere presenti granelli di sporco o sabbia). La soluzione acquosa da utilizzare per riempire il serbatoio di acqua pulita deve essere mantenuta a 5 cm sotto l'imboccatura di ingresso dell'acqua nel serbatoio, in modo da evitare fuoriuscite quando la macchina è in funzione. Stringere strettamente il tappo del serbatoio d'acqua pulita.
2. Fissare bene la testata sul serbatoio da 75 litri di scarico dell'acqua. (Attenzione: per facilitare l'uso, il pannello di controllo del funzionamento della testata deve essere rivolto verso il set di aspirazione del serbatoio dell'acqua di scarico).
3. Facendo riferimento allo schema F2, collegare bene il componente a gomito in metallo, fissare il blocco triangolare, e regolare secondo la direzione di funzionamento corrispondente. Fissare bene la clip di fissaggio del tubo dell'acqua in PU, e fissare il controllo di accensione/spegnimento all'estremità del lato del manico del tubo a gomito in metallo. Fissare bene i dadi esagonali. Inserire il connettore rapido di tipo maschio del raccordo a gomito in metallo dell'estremità del tubo nel connettore rapido filettato di tipo femmina del pannello di accensione/spegnimento.

4. Inserire il tubo corrugato all'estremità del tubo di aspirazione nell'estremità del tubo di aspirazione, e inserire il connettore di tipo maschio del tubo dell'acqua nel connettore rapido di tipo femmina dell'uscita della pompa dell'acqua della testata.
5. Inserire il connettore di tipo maschio del tubo di scarico del serbatoio di acqua pulita nel connettore rapido di tipo femmina dell'ingresso dell'acqua della pompa dell'acqua della testata.

(Il modo per inserire ed estrarre i connettori rapidi di tipo maschio e femmina è il seguente: Spingere in avanti il pulsante di scorrimento filettato, inserire il connettore maschio, quindi rilasciare il pulsante di scorrimento, e si bloccherà automaticamente. Quando le parti si devono sconnettere, premere il pulsante di scorrimento filettato del connettore di tipo femmina ed estrarre il connettore di tipo maschio.)

6. Al termine dei collegamenti come mostrato nella Figura F3, collegare l'alimentazione, accendere la pompa di aspirazione tramite l'interruttore rosso, e utilizzare questo dispositivo per aspirazione assorbente:

Attenzione: Quando l'acqua non è necessaria per la pulizia dei tappeti o quando il serbatoio dell'acqua pulita è vuoto, non accendere l'interruttore verde della pompa dell'acqua, altrimenti la funzione della pompa dell'acqua sarà sprecato.

7. Collegare l'alimentazione, accendere l'interruttore rosso della pompa di aspirazione e quello verde della pompa dell'acqua e utilizzare la mano per tenere la valvola di controllo. Il tappeto è ora pronto per la pulizia e per l'estrazione di acqua e umidità. (Questo dispositivo ha una elevata capacità di aspirazione e il tasso di disidratazione è di circa il 90%). Dopo la pulizia, il tappeto può essere essiccato ad aria.

I due interruttori rossi di accensione/spengimento per "MOTOR 1" e "MOTOR 2" del pannello della Testata nel diagramma F5 sono gli interruttori di controllo per l'accensione/spengimento del motore di aspirazione di aspirazione per la creazione del vuoto di aspirazione. L'interruttore verde di accensione/spengimento per la "PUMP" è l'interruttore di comando della pompa dell'acqua.

Questo dispositivo può pulire tappeti di qualsiasi qualità, come di pura lana, sintetici, nylon, fibre vegetali, tessuti, coperte di lana, e coperte di lane lunghe e corte. Può ammorbidire le fibre dei tappeti, recuperare la loro elasticità, e allungare la vita di tappeti strofinati e puliti.

Questo dispositivo utilizza una maglia di protezione in acciaio inox che fa in modo che la schiuma non entri nella testata durante il funzionamento. Quando la schiuma è eccessiva, si raccomanda l'aggiunta di un agente per la dissoluzione della schiuma stessa.

Attenzione: Non utilizzare acqua ad alta temperatura per la pulizia tappeti. Il risultato migliore si ottiene con acqua tiepida, soprattutto nelle regioni relativamente fredde. Non usare mai acqua con una temperatura superiore a 40°C.

Quando è completamente riempito di acqua, il galleggiante salirà a bloccare la presa d'aria della testata. In questo caso, il dispositivo non potrà più aspirare l'acqua nel modo normale, e l'acqua espulsa dalla bocchetta non potrà essere aspirata attraverso il rastrello triangolare trasparente. Il rumore potrebbe improvvisamente diventare più forte. In tal caso, spegnere l'alimentazione, portare il dispositivo su un area di drenaggio, e aprire il tubo dell'acqua di scarico per svuotare il serbatoio dall'acqua sporca al suo interno.

Una volta completato, assicurarsi che l'acqua sporca nel serbatoio dell'acqua di scarico sia stata completamente scaricata. Anche l'acqua residua inutilizzata nel suo serbatoio dovrebbe essere scaricata attraverso l'uscita alla

base. Utilizzare un panno asciutto per pulire il corpo del dispositivo, e riagganciare il cavo di alimentazione sul gancio della maniglia della testata.

Termini e condizioni di garanzia

Quando un prodotto Viper viene utilizzato almeno per 6 mesi (a partire dalla data della fattura d'acquisto) e se trovato difettoso per causa non dovute a un uso improprio e qualora ciò fosse provato essere vero da parte della nostra società, il dispositivo verrà riparato gratuitamente o le parti saranno sostituite (da questo sono escluse le parti più vulnerabili). Le seguenti condizioni, tuttavia, non sono coperte dalla garanzia:

1. Il prodotto subisce danni causati da un uso improprio;
2. L'utente smonta o apporta modifiche al dispositivo e ci sono danni provocati da persone;
3. Danni provocati da persone e/o distorsioni che hanno cambiato l'aspetto del dispositivo.

Per domande riguardo la qualità o il funzionamento del prodotto, si prega di contattare immediatamente il servizio di assistenza della nostra distribuzione e i centri vendita.

Cura e manutenzione



Attenzione: Quando la cura e la manutenzione è eseguita, assicurarsi che la spina del cavo di alimentazione sia estratta dalla presa.

1. Assicurarsi che il cavo di alimentazione sia integro.
2. Pulire l'apparecchio dopo l'uso. Assicurarsi che il serbatoio dell'acqua di scarico sia privo di acqua sporca, sporcizia o polvere. Drenare completamente l'acqua inutilizzata ancora presente nel serbatoio dell'acqua pulita.
3. Dopo l'aspirazione, il filtro per la polvere deve essere battuto con la forza.
4. Per assicurarsi che la pressione dell'acqua nella pompa sia buona, è necessario estrarre a cadenza regolare il filtro dal punto di ingresso per rimuovere eventuali ostruzioni ed estrarre il filtro dalla parte dell'ugello per rimuovere eventuali ostruzioni.
5. La maglia in acciaio inox per la protezione dalla schiuma dovrebbe essere regolarmente pulita liberandola da fiocchi di lana per evitare un effetto sfavorevole sull'aspirazione.
6. Dopo aver pulito il sacchetto per la polvere e il filtro antipolvere, assicurarsi che siano perfettamente asciutti prima di riutilizzarli.
7. La spazzola in carbonio del motore deve essere sostituita in caso di danneggiamento per un uso eccessivo.
8. Assicurarsi che la tensione in uso sia compatibile con quella indicata sull'etichetta del dispositivo.
9. Se il cavo di alimentazione è danneggiato, il dipartimento per servizi successivi alla vendita deve essere contattato per la sua sostituzione, al fine di evitare pericoli.

Attenzione

La sicurezza deve essere sempre tenuta in considerazione quando si utilizza un dispositivo elettrico. Al fine di garantire un funzionamento sicuro del dispositivo, è necessaria una cura e manutenzione regolare.

La nostra azienda non potrà essere ritenuta responsabile per eventuali incidenti di sicurezza causati da una mancanza di una cura e manutenzione regolare o per la sostituzione inopportuna di parti difettose.

➤ Le seguenti sostanze non devono essere utilizzate in questo dispositivo:

Polveri nocive, sostanze roventi come ad esempio: sigarette accese, cenere calda, liquidi infiammabili (benzina, solventi, liquidi corrosivi acidi e alcalini), polvere infiammabile (ad esempio: magnesio e polvere di alluminio)

Cavo di Alimentazione



Se la presa esterna non corrisponde alla spina del cavo di alimentazione di questo dispositivo, tagliare la spina del dispositivo e fissare un connettore adatto al suo posto. I fili all'interno del cavo di alimentazione sono etichettati in conformità alle seguenti norme:

Filo blu ----- neutro (Zero)

Filo marrone ----- cavo in tensione

Giallo-verde ----- filo di terra

Il filo blu si collega con il morsetto contrassegnato con "N", il filo marrone con il terminale "L", e il conduttore di terra è contrassegnato con "E".

Parti e accessori possono essere modificati senza preavviso.

Schema di Collegamento del Circuito

Per lo schema di collegamento, far riferimento alla "Figura 1" a pagina 6.

Specifiche dei Parametri del Prodotto

Per specifiche dei parametri del prodotto, far riferimento alla "Forma 1".

CAR275 Parametri delle Specifiche Tecniche (Forma 1)

Tensione(V)	220~240
Frequenza(Hz)	50/60
Potenza(W)	2000
Pressione di aspirazione(mmH ₂ O)	2005
Flusso d'Aria(ltr/min)	3115
Rumore(dBA)	78
Capacità Serbatoio Acqua di Scarico (L)	75
Capacità Serbatoio Acqua Pulita(L)	25
Diametro Operativo (m)	14m
Lunghezza Cavo d'Alimentazione(m)	10m

Wprowadzenie

Celem niniejszej instrukcji Viper jest zaznajomienie z działaniem i obsługą CAR275.

Przeczytaj przed użyciem.

Opisywane urządzenie służy do komercyjnego czyszczenia dywanów.

Budowa urządzenia

Zobacz schemat części CAR275 “F1” na stronie 3 i “F2” na stronie 4.

1. Uchwyt 2. Kabel zasilania 3. Szybkozłączka żeńska wlotu pompy wody, 4. Zacisk zbiornika wody 5. Haczyk mocujący zbiornika wody zebranej 6. Rączka zbiornika 7. Zbiornik wody zebranej ze stali nierdzewnej 8. Panel przełączników wł./wył. 9. Szybkozłączka żeńska wylotu pompy wody, 10. Moduł górny urządzenia 11. Siatka na pianę ze stali nierdzewnej 12. Filtr przeciwykowy 13. Przycisk bazy węża ssawnego 14. Baza węża ssawnego 15. Wąż spustowy 16. Pokrywa zbiornika na czystą wodę 17. Zbiornik dodatkowy 18. Koło tylne (10 cali) 19. Zacisk zbiornika wody 20. Szybkozłączka męska węża zbiornika na czystą wodę, 21. Podstawa zbiornika na czystą wodę 22. Koło kierujące (3,5 cala) 23. Pokrywa zbiornika na wodę zebraną 24. Złączka męska do bazy węża ssawnego 25. Złączka do węża karbowanego, u podstawy węża ssawnego 26. Wąż karbowany 27. Złączka do węża karbowanego, do zakończenia metalowego kolanka 28. Szybkozłączka męska do zakończenia metalowego kolanka 29. Szybkozłączka gwintowana, zewnętrzna do panelu przełączników wł./wył. 30. Zawór sterujący 31. Zakończenie metalowego kolanka 32. Wąż do wody z poliuretanu 33. Pierścienie ustalające do węża do wody z poliuretanu 34. Dysza 110° 35. Przezroczysta, trójkątna ściągaczka, 10 cali 36. Przycisk przesuwany, zwalniający

Instrukcja

1. Napełnij zbiornik na czystą wodę – odpowiednią ilością wody lub wody z detergentem (uwaga: powierzchnia musi być już oczyszczona z brudu i piasku). Poziom nalaną wodę/roztworu musi się znajdować 5 cm poniżej wlotu zbiornika, aby nie rozlewał się w trakcie pracy urządzenia. Szczelnie dokręć pokrywę zbiornika czystej wody.
2. Założyć górny moduł urządzenia na zbiornik wody zebranej (75-litrowy) i zabezpieczyć (uwaga: dla ułatwienia, panel sterowania modułu powinien być skierowany na stronę ssawną zbiornika na wodę zebraną).
3. Kierując się schematem F2, złóż metalowe kolanko, załóż trójkątną ściągaczkę i ustaw je w odpowiednim kierunku do pracy. Szczelnie zamocuj pierścienie ustalające do węża do wody i przyłącz panel sterowania do uchwytu na końcu lancy. Dokręć nakrętki sześciokątne. Włóż szybkozłączkę gwintowaną, wewnętrzną końcówki lancy do szybkozłączki gwintowanej, zewnętrznej panelu przełączników wł./wył.
4. Włóż wąż karbowany do końcówki węża ssawnego i włóż szybkozłączkę gwintowaną, wewnętrzną węża do wody do szybkozłączki gwintowanej, zewnętrznej wylotu pompy wody, na górnym module.
5. Włóż szybkozłączkę gwintowaną, wewnętrzną węża wylotowego zbiornika wody czystej do szybkozłączki gwintowanej, zewnętrznej wlotu pompy wody, na górnym module.

(Sposób wkładania i wyjmowania szybkozłączy męskich i żeńskich: Przesuń przycisk i włóż złączkę męską, a następnie przycisk zwolnij – zablokuje się automatycznie. Kiedy trzeba będzie je rozłączyć, wtedy przesuń przycisk złączki żeńskiej i wyciągnij złączkę męską.)



6. Po połączeniu elementów zgodnie ze schematem F3, podłącz urządzenie do gniazdka zasilania, włącz czerwony przełącznik pompy i używaj urządzenie do odkurzania z pochłanianiem:

Uwaga: Jeśli nie ma potrzeby mycia dywanu na mokro albo kiedy zbiornik na czystą wodę będzie pusty, wtedy nie włączaj zielonego przełącznika pompy. W przeciwnym wypadku pompa będzie działać niepotrzebnie.

7. Podłącz zasilanie, włącz czerwony przełącznik pompy ssącej i zielony przełącznik sterowania pompą wody, oraz przytrzymaj ręką zawór sterujący. Teraz możesz zacząć czyścić dywan i odciągać z niego wodę oraz wilgoć. (urządzenie posiada wysoką wydajność odkurzania i odwadniania, wynosząca ok. 90%). Po czyszczeniu dywan można dosuszyć na powietrzu.

Czerwone przełączniki wł./wył. "MOTOR 1" oraz "MOTOR 2" na panelu sterowania, na module górnym, widoczne na schemacie F5, obsługują włączanie i wyłączanie silnika zasysającego, który wytwarza podciśnienie. Zielony przełącznik wł./wył. "PUMP" obsługuje włączanie i wyłączanie pompy wody.

Urządzenie czyści dywany wszelkiego rodzaju: z czystej wełny, syntetyczne, nylonowe, z włókna roślinnego, koce utkane z wełny, długo- i krótkowłose. Zmiękcza włókna dywanów, przywraca dywanom sprężystość i przedłuża żywotność dywaników gumowych i zmywalnych.

Urządzenie jest wyposażone w siatkę ze stali nierdzewnej, która chroni moduł górny przed dostaniem się do niego piany. Jeśli pienienie będzie bardzo intensywne, to zalecamy dodanie środka do rozpuszczania piany.

Uwaga: Nie stosować gorącej wody do mycia dywanów. Lepsze efekty uzyskuje się z letnią wodą, szczególnie w rejonach zimnych. Nigdy nie używaj wody o temperaturze powyżej 40° C.

Jeśli zbiornik zostanie całkowicie wypełniony wodą, to pływak zablokuje wlot powietrza do modułu górnego. Wtedy urządzenie nie będzie mogło normalnie zasysać powietrza i woda wyrzucana z dyszy nie będzie wciągana przez ściągaczkę. Urządzenie zacznie bardziej hałasować. W takiej sytuacji wyłącz zasilanie, zabierz urządzenie do miejsca gdzie możesz wylać wodę i otwórz wąż spustowy żeby opróżnić zbiornik z brudnej wody.

Na koniec jeszcze sprawdź, czy cała brudna woda została spuszczone. Resztę niezużytej wody w zbiorniku wody czystej spuść przez wylot w dnie. Suchym ręcznikiem wytrzyj korpus urządzenia, zawieś kabel zasilania na haku w uchwycie.

Warunki gwarancji

Wszystkie produkty Viper użytkowane do pół roku (od daty faktury zakupowej), a w których zostanie stwierdzona wada nie spowodowana przez człowieka i potwierdzona przez naszą firmę, są naprawiane lub ich części - wymieniane (z wyjątkiem części eksploatacyjnych) za darmo. Gwarancja nie obejmuje następujących szkód:

1. Na skutek nieprawidłowej eksploatacji;
2. Na skutek samowolnych demontaży i zmian, oraz uszkodzeń spowodowanych przez człowieka;
3. Spowodowanych przez człowieka uszkodzeń i/lub zmian wyglądu urządzenia.

Pytania dotyczące jakości i eksploatacji urządzenia prosimy kierować do działu serwisowego w naszych centrach dystrybucji i sprzedaży.

Pielęgnacja i konserwacja



Uwaga: Do pielęgnacji i konserwacji urządzenia, kabel zasilania musi być wyjęty z gniazdka.

1. Dopilnuj by nie uszkodzić kabla.
2. Myj urządzenie po użyciu. Sprawdź czy w zbiorniku wody zebranej nie ma brudnej wody, brudu lub kurzu. W całości spuść niez użytą wodę ze zbiornika wody czystej.
3. Po odkurzaniu mocno wytrzep filtr przeciwpyłowy.
4. Aby zapewnić prawidłowe ciśnienie pompy, trzeba regularnie wyjmować filtry na wlocie i na dyszy w celu usunięcia nagromadzonego materiału.
5. Regularnie oczyszczaj siatkę na pianę z kłaczków wełny, żeby nie zaburzały ssania.
6. Po oczyszczeniu worka na kurz i filtra przeciwpyłowego, trzeba je wysuszyć do ponownego użycia.
7. Wymień szczotkę węglową silnika, jeśli zostanie uszkodzona.
8. Sprawdź czy napięcie w gniazdku odpowiada parametrom tabliczki znamionowej urządzenia.
9. W przypadku uszkodzenia kabla, skontaktuj się z działem serwisowym w sprawie wymiany, żeby uniknąć niebezpieczeństwa.

Ostrzeżenie

W trakcie używania urządzenia elektrycznego, należy stale pamiętać o bezpieczeństwie. W celu zapewnienia bezpiecznej pracy urządzenia, trzeba o nie systematycznie dbać i je konserwować:

Nasza firma uchyła się od odpowiedzialności za wypadki spowodowane zaniedbaniem urządzenia i zbyt późną wymianą uszkodzonych części.

➤ W urządzeniu nie wolno używać następujących substancji:

Szkodliwych proszków, substancji parzących (np.: palący się papieros, gorący popiół, palne ciecze (benzyna, rozpuszczalniki, kwaśne i zasadowe ciecze o właściwościach żrących), palne proszki (np.: proszek aluminiowo-magnezowy)

Kabel zasilania



Jeśli gniazdko nie pasuje do wtyczki kabla zasilania tego urządzenia, to obetnij tę wtyczkę i zamocuj odpowiednią. Przewody w kablu zasilania są opisane zgodnie z następującymi przepisami:

Przewód niebieski ----- neutralny (zero)

Przewód brązowy -----przewód pod napięciem

Przewód żółtozielony -----uziemiaenie

Przewód niebieski łączy się z zaciskiem oznaczonym jako "N"; przewód brązowy i zacisk "L" łączą się z urządzenie, a przewód uziemiaenia jest oznaczony jako "E".

Części i akcesoria podlegają zmianom bez uprzedzenia.

Schemat połączeń

Zob. schemat połączeń na rysunku 1, na stronie 6.

Specyfikacja techniczna produktu

Zob. parametry techniczne w formularzu 1.

CAR275 Parametry techniczne (Formularz 1)

Napięcie(V)	220~240
Częstotliwość(Hz)	50/60
Moc(W)	2000
Podciśnienie(mmH ₂ O)	2005
(Natężenie przepływu powietrza(l/min))	3115
Hałas(dBA)	78
Pojemność zbiornika na wodę zebraną(L)	75
Pojemność zbiornika na czystą wodę(L)	25
Średnica robocza(m)	14m
Długość kabla zasilania(m)	10m

Introdução:

Este manual é para ser utilizado para compreender Viper e aprender a utilizar e operar CAR275.

Este manual deve ser atentamente lido antes de utilizar.

Este dispositivo é um limpador de carpetes comercial.

Descrição da construção do dispositivo

Para diagramas das peças de CAR275, refira ao Diagrama “F1” na Página 3 e Diagrama “F2” na Página 4.

1. Gancho de alavanca da peça principal 2. Cabo de alimentação 3. Conector de entrada de bomba de água da peça principal 4. Colchete de tanque de água 5. Gancho de colchete traseiro do tanque de água de drenagem 6. Alavanca de tanque 7. Tanque de água de drenagem de aço inoxidável 8. Painel de interruptores On/off 9. Conector de saída de bomba de água da peça principal 10. Montagem de peça principal 11. Rede de protecção de espuma em aço inoxidável 12. Filtro de pó 13. Botão de base da mangueira de sucção 14. Base da mangueira de sucção 15. Mangueira de drenagem 16. Tampa do tanque de água limpa 17. Tanque de sobresselente 18. Roda traseira de 10 polegadas 19. Colchete de tanque de água 20. Componente de conexão de mangueira de tanque de água limpa 21. Base de tanque de água limpa de 25 litros 22. Roda direccional 3.5” 23. Tampa de drenagem de água 24. Componente de conector para base de mangueira de sucção 25. Conector para mangueira franzida na base da mangueira de sucção 26. Mangueira franzida 27. Conector para mangueira franzida da ponta de metal 28. Conector rápido da ponta de metal 29. Conector rápido roscado do painel de interruptor on/off 30. Válvula de controlo 31. Componente de ponta de metal 32. Mangueira de água PU 33. Clipes de retenção de mangueira de água PU 34. Bocal 110° 35. Componente de ancinho triangular transparente de 10” 36. Botão de deslize de desparafusamento

Instruções

1. Encha o tanque de água limpa com a quantidade apropriada de água limpa ou solução aquosa com agentes de limpeza (Atenção: Nenhuma sujidade ou grãos de areia devem estar presentes). A solução aquosa a ser utilizada para encher o tanque de água limpa deve ser mantido a 5 cm abaixo da entrada de água do tanque de água limpa, de modo a evitar derrame quando a máquina está em operação. Feche bem a tampa do tanque de água limpa.
2. Fixe a peça principal no tanque de água limpa de 75 litros, e aperte bem (Atenção: para conforto de utilização, o painel de controlo de operação da peça principal deve estar virada na direcção do conjunto de sucção do tanque de água de drenagem).
3. Referindo ao diagrama F2, conecte bem o componente de metal, fixe a montagem triangular e ajuste para a direcção de operação apropriada. Fixe bem os clips de retenção de mangueira de água PU, e fixe o controlo on/off à ponta da alavanca da mangueira de metal. Fixe bem as porcas hexagonais. Insira o conector rápido da mangueira de metal ao conector rápido roscado do painel de interruptor on/off.
4. Insira a mangueira franzida da mangueira de sucção à ponta da mangueira de sucção, e insira o componente conector de mangueira de água ao conector rápido da saída da bomba de água da peça principal.
5. Insira o componente de conexão da mangueira de saída do tanque de água limpa no conector rápido da entrada de água da peça principal da bomba de água..

(Forma de inserir e retirar os conectores rápidos: Empurre o botão de deslizamento roscado, insira o conector, e liberte o botão de deslize, ficando automaticamente bloqueado. Quando for necessário desconectar, empurre o botão de deslize roscado do conector e puxe o outro conector.)

6. Ao completar as conexões como mostrado no Diagrama F3, ligue a energia, ligue o interruptor de bomba de sucção vermelho, e utilize este dispositivo para aspiração absorvente:

Atenção: Quando não for necessário água para a limpeza da carpete ou quando o tanque de água limpa estiver vazio, não ligue o interruptor de bomba de água verde. Caso contrário, a função de bomba de água será desperdiçada.

7. Ligue a energia, ligue o interruptor de bomba de sucção vermelho e o interruptor de controlo de bomba de água verde, e utilize a mão para segurar a válvula de controlo. A carpete está agora pronto para a limpeza e para extrair a água e humidade. (Este dispositivo tem uma capacidade de vácuo alta, e a taxa de desidratação é à volta de 90%). Após terminar a limpeza, a carpete pode ser seca ao ar livre.

Os dois interruptores vermelhos on/off de “MOTOR 1” e “MOTOR 2” do painel da peça principal no Diagrama F5 estão nos interruptores de controlo de sucção de vácuo on/off para a criação de sucção de vácuo. O interruptor de “PUMP” on/off verde é o interruptor de controlo da bomba de água.

Este dispositivo pode limpar carpetes de qualquer qualidade, como lã pura, sintéticos, nylon, fibra de planta, cobertores de lã tricotada, e cobertores de lã compridos e curtos. Pode suavizar as fibras das carpetes, recuperar a elasticidade das carpetes, e prolongar a utilização das carpetes esfregadas e limpas.

Este dispositivo utiliza rede protegida com espuma de aço inoxidável de forma a que nenhuma espuma entre na peça principal durante a operação. Quando a espuma se tornar excessiva, a adição de um agente de dissolução de espuma é aconselhada.

Atenção: Não utilize água com altas temperaturas quando limpar as carpetes. O resultado será melhor se utilizar água morna, especialmente em regiões relativamente frias. Nunca utilize com temperaturas mais altas que 40 °C.

Quando estiver completamente cheio de água, a boia irá subir para bloquear a entrada de ar da peça principal. Nessa altura, o dispositivo poderá não sugar a água como a forma normal, e a água ejetada do bocal poderá não ser sugada através do ancinho triangular transparente. O barulho poderá tornar-se mais alto. Nesse caso, desligue, leve o dispositivo para a área de drenagem, e abra a mangueira de água de drenagem para esvaziar o tanque de água a mais.

Quando concluído, certifique-se que a água a mais no tanque de água de drenagem é completamente drenada. A água não utilizada restante dentro do tanque de água limpa deve ser drenada através da saída na base. Utilize uma toalha seca para limpar o corpo do dispositivo, e substitua o cabo de alimentação no gancho da alavanca na peça principal

Termos e Condições da Garantia

Quando qualquer produto Viper é utilizado dentro de meio ano (desde a data de recibo de compra) e achado defeituoso devido a causas não humanas e quando determinado ser verdadeiro pela nossa empresa, o dispositivo será reparado sem custos adicionais ou peças serão substituídas (excepto peças vulneráveis). As seguintes condições, no entanto, não são cobertas pela garantia:



1. Dano no produto causado por operação imprópria;
2. Auto-desmontagem ou alterações realizadas no dispositivo e danos artificiais;
3. Danos artificiais e/ou distorções realizadas à aparência do dispositivo.

Para informações sobre a qualidade ou operação do produto, contacte o departamento de apoio dos nossos centros de distribuição e vendas.

Cuidado e Manutenção



Atenção: Quando o cuidado e manutenção são realizados, certifique-se que o cabo de alimentação está desligado da tomada.

1. Certifique-se que o cabo de alimentação está intacto.
2. Limpe o dispositivo após utilizar. Certifique-se que o tanque de água de drenagem está livre de água a mais, sujidade ou pó. Drene completamente qualquer água não utilizada no tanque de água limpa.
3. Após aspirar, o filtro de pó deve ser batido com força.
4. De modo a assegurar que a pressão de água da bomba não tem problemas, é necessário que retire o filtro regularmente no ponto de importação para limpar sujidades. Retire o filtro da parte do bocal para limpar.
5. A rede de protecção de espuma de aço inoxidável deve ser limpa regularmente de acumulações de lã de modo a evitar um efeito não favorável na sucção.
6. Após limpar o saco de pó e o filtro de pó, devem ser completamente secos antes de voltar a utilizar.
7. A escova de carbono do motor deve ser substituída quando danificada através da utilização.
8. Certifique-se que a voltagem em utilização é compatível com a marcada na etiqueta do dispositivo.
9. Se o cabo de alimentação for danificado, o departamento de serviço pós-vendas deve ser contactado para substituição de modo a evitar perigos.

Aviso

Segurança deve ser considerada sempre que um dispositivo eléctrico é utilizado. De modo a assegurar a operação segura do dispositivo, é necessário dedicar cuidados e manutenção regulares.

A nossa empresa não será responsável por qualquer acidente de segurança causado por falta de cuidado e manutenção ou substituição tardia de partes defeituosas.

➤ As seguintes substâncias não devem ser utilizadas neste dispositivo:

Pó nocivo, substâncias chamuscadas (por exemplo: cigaros a arder, cinzas quentes, líquidos inflamáveis [petróleo, solventes, ácido e líquidos corrosivos alcalinos], pó inflamável [por exemplo: pó de magnésio e alumínio])

Cabo de Alimentação



Se a tomada externa não corresponder à ficha do cabo de alimentação deste dispositivo, retire a ficha deste dispositivo e substitua por uma ficha apropriada. Os fios dentro do cabo de alimentação estão

marcados de acordo com os seguintes regulamentos:

Fio azul ----- Fio neutro (Fio zero)

Fio castanho -----Fio vivo

Fio amarela-verde -----fio de terra

O fio azul conecta com o terminal marcado com “N”; o fio castanho e o terminal “L” conectam com o dispositivo; o fio de terra está marcado com “E”.

Peças e acessórios são alterados sem aviso prévio.

Diagrama de Conexão de Circuito

Para o diagrama de conexão de circuito, refira à “Figura 1” na página 6.

Parâmetros de Especificação do Produto

Para parâmetros de especificação, refira ao “Formulário 1”.

Parâmetros de Especificação de CAR275 (Formulário1)

Voltagem(V)	220~240
Frequência(Hz)	50/60
Energia(W)	2000
Aspirador(mmH ₂ O)	2005
(Fluxo de ar(ltr/min))	3115
Barulho(dBA)	78
Capacidade do Tanque de Água de Drenagem(L)	75
Capacidade do Tanque de Água Limpa(L)	25
Diâmetro de Operação(m)	14m
Comprimento do Cabo de Alimentação(m)	10m

Introducere:

Acest manual trebuie utilizat pentru a înțelege echipamentul Viper și pentru a putea utiliza CAR275.

Acest manual trebuie citit cu atenție înainte de utilizare.

Acest echipament este un aspirator comercial.

Descriere construcție echipament

Pentru diagramele pieselor care alcătuiesc echipamentul CAR275, consultați Diagrama “F1” de la pagina 3 și Diagrama “F2” de la pagina 4.

1. Mâner coronament 2. Cablu de alimentare 3. Admisie pompă apă coronament cu conector rapid cu filer interior 4. Element de prindere rezervor de apă 5. Cârlig de prindere rezervor de apă uzată 6. Mâner rezervor 7. Rezervor de apă uzată din oțel inoxidabil 8. Panou de control pornire / oprire 9. Evacuare pompă apă coronament cu conector rapid cu filer interior 10. Ansamblu coronament 11. Plasă de protecție împotriva spumei din oțel inoxidabil 12. Filtru de praf 13. Buton furtun de aspirație 14. Furtun de aspirație 15. Furtun de evacuare 16. Capac rezervor de apă curată 17. Rezervor suplimentare 18. Roată de 10 țoli 19. Element de prindere rezervor de apă 20. Componentă conector cu filet exterior pentru furtunul rezervorului de apă curată Clean 21. Bază rezervor de apă curată cu capacitatea de 25 litri 22. Roată de direcție de 3.5” 23. Capac evacuare apă 24. Componentă conector cu filet exterior pentru baza furtunului de aspirație 25. Conector pentru furtunul ondulat la baza furtunului de aspirație 26. Furtun ondulat 27. Conector pentru furtunul ondulat aferent capătului îndoit metalic 28. Conector rapid cu filet exterior pentru capătul îndoit metalic 29. Conector rapid cu filet interior pentru panoul de control pornire / oprire 30. Supapă de control 31. Componentă capăt îndoit metalic 32. Furtun de apă PU 33. Cleme de prindere furtun de apă PU 34. Ajutaj 110° 35. Componentă suport triunghiular transparent de 10” 36. Buton glisant pentru demontare

Instrucțiuni

1. Umpleți rezervorul pentru apă curată cu o cantitate potrivită de apă sau o soluție de apă cu agenți de curățare (Atenție: nu trebuie să existe particule de murdărie sau granule de nisip). Soluția apoasă utilizată pentru a umple rezervorul de apă curată trebuie păstrată la un nivel cu 5 cm sub admisia de apă a rezervorului de apă curată pentru a evita vărsarea acesteia în timpul funcționării echipamentului. Fixați bine capacul rezervorului de apă curată.
2. Fixați coronamentul pe rezervorul de apă uzată cu capacitatea de 75 litri și prindeți bine (Atenție: pentru o utilizare ușoară, panoul de control funcționare de pe coronament trebuie să fie orientat în direcția mecanismului de aspirație al rezervorului de apă uzată).
3. Consultați diagrama F2 și conectați corect componenta cotului metalic, fixați ansamblul triunghiular și ajustați direcția corespunzătoare de funcționare. Fixați bine clemele de prindere ale furtunului de apă PU și fixați panoul de control pornire / oprire de capătul mânerului aferent furtunului cu cot metalic. Strângeți bine piulițele hexagonale. Introduceți conectorul rapid cu filet exterior al furtunului cu cot metalic în conectorul rapid cu filet interior al panoului de control pornit / oprit.
4. Introduceți furtunul ondulat al furtunului de aspirație în capătul furtunului de aspirație și introduceți componenta conectorului rapid cu filet exterior pentru furtunul de apă în conectorul rapid cu filet interior aferent evacuării pompei de apă coronament.

5. Introduceți componenta conectorului rapid cu filet exterior pentru furtunul de evacuare al rezervorului de apă curată în conectorul rapid cu filet interior aferent admisiei pompei de apă coronament.

(Metoda de introducere și extragere a conectorilor rapizi cu filet interior și exterior: împingeți în față butonul glisant cu filet, introduceți conectorul cu filet exterior, după care eliberați butonul glisant care se blochează automat. Atunci când este necesară deconectarea, împingeți butonul glisant cu filet al conectorului cu filet interior și scoateți conectorul cu filet exterior).

6. După efectuarea conexiunilor conform Diagramei F3, conectați alimentarea, rotiți întrerupătorul roșu al pompei de aspirație și utilizați echipamentul pentru aspirare:

Atenție: atunci când nu este necesară apa pentru curățarea covoarelor sau atunci când rezervorul de apă curată este gol, nu rotiți întrerupătorul verde al pompei de apă. În caz contrar, funcționarea pompei de apă va fi deteriorată.

7. Conectați alimentarea, rotiți întrerupătorul roșu al pompei de aspirație și întrerupătorul verde pentru controlul pompei de apă și țineți supapa de control cu mâna. Covorul poate fi acum curățat, iar apa și umezeala pot fi extrase. (Acest dispozitiv are o capacitate ridicată de aspirare, iar rata de deshidratare este de aproximativ 90%). După curățare, covorul poate fi uscat la aer.

Cele două întrerupătoare roșii de pornire / oprire "MOTOR 1" și "MOTOR 2" de pe panoul coronamentului din Diagrama F5 sunt întrerupătoare de control pornire / oprire ale motorului de aspirație vacuum pentru generarea aspirării cu vacuum. Întrerupătorul verde pornire / oprire "PUMP" este întrerupătorul de control pentru pompa de apă.

Echipamentul poate fi utilizat pentru curățarea covoarelor de orice calitate, cum ar fi lână pură, materiale sintetice, fibre, nailon, pături din lână țesută, precum și pături din lână cu firul lung sau scurt. Echipamentul poate emolia fibra covorului, poate recupera elasticitatea covoarelor și poate prelungi durata de viață a covoarelor cauciucate sau coleiate.

Echipamentul utilizează o plasă e protecție din oțel inoxidabil protejată împotriva spumei, astfel încât spuma nu poate pătrunde în coronament pe durata funcționării. În cazul formării excesive de spumă, se recomandă utilizarea unui agent de dizolvare spumă.

Atenție: nu utilizați apă la temperaturi ridicate atunci când curățați covoarele. Rezultatul este mai bun dacă se folosește apă caldă, în special în regiunile relativ reci. Nu utilizați niciodată apă cu temperaturi de peste 40 °C.

Atunci când rezervorul este plin cu apă, flotorul se ridică și blochează admisia de aer a coronamentului. În acest caz, echipamentul nu poate absorbi apa în condiții normale, iar apa evacuată din ajutor nu poate fi aspirată prin suportul triunghiular transparent. Nivelul de zgomot poate crește brusc. În acest caz, opriți echipamentul, duceți echipamentul în zona de evacuare și deschideți furtunul de evacuare pentru a goli rezervorul de apă uzată.

La final, asigurați-vă că apa uzată din rezervor este evacuată complet. Apa rămasă în rezervorul de apă curată trebuie evacuată prin intermediul guri de evacuare de la bază. Utilizați un prosop uscat pentru a șterge corpul echipamentului și înlocuiți cablul de alimentare de pe mânerul coronamentului.

Termeni și condiții de garanție

Atunci când utilizați un echipament Viper timp de o jumătate de an (de la data facturii de achiziție) și dacă acesta



se dovedește a fi defect din cauze care nu țin de dvs. și atunci când acest lucru este determinat de compania noastră, echipamentul va fi reparat gratuit sau vor fi înlocuite piesele respective (cu excepția pieselor supuse uzurii). Totuși, condițiile de mai jos nu sunt acoperite de garanție:

1. Deteriorarea produsului prin utilizare incorectă;
2. Demontarea sau modificarea echipamentului și stricăciuni cauzate de dvs.;
3. Stricăciuni cauzate de dvs. și / sau deformări aparente ale echipamentului.

Pentru întrebări cu privire la calitatea sau funcționarea produsului, vă rugăm să contactați departamentul de relații clienți din cadrul centrelor de distribuție și de vânzare.

Întreținere



Atenție: atunci când efectuați activități de întreținere, asigurați-vă ca alimentarea este deconectată.

1. Asigurați-vă că firul de alimentare este intact.
2. Curățați echipamentul după utilizare. Asigurați-vă că rezervorul de apă uzată nu prezintă apă uzată, murdărie sau praf. Goliți complet apa rămasă în rezervorul de apă uzată.
3. După aspirare, filtrul de praf trebuie curățat eficient.
4. Pentru a asigura presiunea apei în pompă este bun, este necesar de a lua regulat filtrul la punctul de import pentru îndepărtarea blocaj și scoate filtru la partea duza pentru îndepărtarea blocajului.
5. plasa de protecție împotriva spumei din oțel inoxidabil trebuie curățată periodic de particulele de lână pentru a evita aspirația necorespunzătoare.
6. După curățare, sacul de praf și filtrul de praf trebuie uscate complet dacă sunt re-folosite.
7. Peria de carbon a motorului trebuie înlocuită dacă se deteriorează în urma utilizării excesive.
8. Asigurați-vă că tensiunea de lucru este compatibilă cu tensiune specificată pe eticheta produsului.
9. În cazul în care cablul de alimentare este deteriorat, departamentul de servicii post-vânzare trebuie contactat pentru înlocuirea acestuia cu scopul de a evita pericolele.

Atenție

Atunci când utilizați un echipament electric, aspectele de siguranță trebuie în permanență luate în considerare. Pentru a asigura funcționarea echipamentului în condiții de siguranță, este necesar să îl întrețineți periodic.

Compania nu își asumă răspunderea pentru accidente cauzate de lipsa întreținerii sau de înlocuirea tardivă a pieselor defecte.

➤ Nu se vor utiliza următoarele substanțe în acest echipament:

Pudră agresivă, substanțe întăritoare (de exemplu țigări aprinse, cenușă fierbinte, lichide inflamabile (benzină, solvenți, acizi și lichide corozive alcaline), pudră inflamabilă (de exemplu, pudră de magneziu și aluminiu)

Cablu de alimentare



În cazul în care mufa externă nu corespunde prizei pentru cablul de alimentare aferent acestui echipament, îndepărtați mufa dispozitivului și montați una potrivită. Firele din interiorul cablului de alimentare sunt marcate conform regulilor de mai jos:

Fir albastru ----- neutru (nul)

Fir maro ----- tensiune

Fir galben-verde ----- împământare

Firul albastru se conectează la terminalul marcat "N"; firul maro și terminalul "L" se conectează la dispozitiv, iar firul de împământare este marcat cu "E".

Piese și accesorii pot fi modificate fără notificare prealabilă.

diagramă conexiuni electrice

Pentru diagrama electrică, consultați "Figura 1" de la pagina 6.

Specificații parametri produs

Pentru specificațiile parametrilor, consultați "Tabelul 1".

Specificații parametri CAR275 (Tabel 1)

Tensiune (V)	220~240
Frecvență (Hz)	50/60
Putere (W)	2000
Vacuum (mmH ₂ O)	2005
Debit de aer (ltr/min)	3115
Zgomot (dBA)	78
Capacitate rezervor de apă uzată(L)	75
Capacitate rezervor de apă curată (L)	25
Diametru de lucru (m)	14m
Lungime cablu de alimentare (m)	10m

Вступление:

Данная инструкция предназначена для понимания принципов работы продукции компании Viper на конкретном примере устройства CAR275.

Внимательно ознакомьтесь с инструкциями перед использованием.

Это устройство является очистителем ковров для рабочих помещений.

Описание устройства прибора

Описание составных частей прибора CAR275 находится на стр. 3 и стр. 4 под названиями Схема “F1” и “F2” соответственно.

1. Верхняя ручка 2. Шнур питания 3. Вход водного насоса, соединяющий разъем 4. Прикрепляющее устройство резервуара с водой 5. Задняя ручка резервуара утилизации 6. Ручка резервуара 7. Резервуар утилизации из нержавеющей стали 8. Панель переключения вкл/выкл 9. Выход водного насоса, соединяющий разъем 10. Сборка головной части 11. Сетка защиты от пены из нержавеющей стали 12. Пылевой фильтр 13. Кнопка всасывающего шланга 14. Основа всасывающего шланга 15. Спускной шланг 16. Крышка резервуара с чистой водой 17. Запасной резервуар 18. 10-дюймовое заднее колесо 19. Защелка водного резервуара 20. Шланг резервуара с чистой водой, штекер 21. 25-литровый резервуар с чистой водой 22. 3.5” колесо направления 23. Крышка дренажного резервуара 24. Штекер базы всасывающего шланга 25. Соединение гофрированного шланга с базой всасывающего шланга 26. Гофрированный шланг 27. Соединение гофрированного шланга с металлическим рукавом 28. Штекер металлического рукава 29. Розетка панели переключения вкл/выкл 30. Контрольный клапан 31. Компонент металлического рукава 32. PU шланг для воды 33. PU соединения водяного шланга 34. 110° сопло 35. 10” прозрачный треугольный гребень 36. Открывающая кнопка

Инструкции

1. Наполните резервуар для чистой воды необходимым количеством чистой воды или водным раствором чистящего средства (Внимание: Не должно быть грязи и песка). Водный раствор чистящего средства должен быть использован для наполнения резервуара с чистой водой на 5 см ниже отверстия входа воды, чтобы предотвратить проливание воды. Плотнo закройте крышку.
2. Установите головную часть на 75-литровый резервуар с отработанной водой, хорошо прикрутите (Внимание: для легкости использования, панель управления должна находиться лицом к всасывающему шлангу резервуара отработанной воды).
3. Следуя схеме F2, присоедините металлический рукав, зафиксируйте треугольник в соответствии с правильным направлением работы. Хорошо закрепите соединения PU водяного шланга, присоедините управление вкл/выкл к ручке водяного шланга. Закрепите шестигранными гайками. Вставьте штекер металлического рукава к разъему панели управления вкл/выкл.
4. Присоедините гофрированный шланг к всасывающему шлангу, затем вставьте штекер в разъем выхода водного насоса.
5. Подключите штекер выхода из резервуара с чистой водой к разъему насоса для входа воды.

(Каким образом подключать штекеры и разъемы: нажмите на открывающую кнопку, вставьте штекер,

затем отпустите кнопку, устройство будет автоматически заблокировано. При необходимости отключения, нажмите на такую же кнопку разъема и вытащите штекер.)

- После установления всех соединений, как показано на схеме F3, включите питание, нажмите на красную кнопку насоса, используйте устройство для адсорбентной уборки:

Внимание: Если для уборки не нужна вода или если резервуар для чистой воды пуст, Не включайте зеленую кнопку насоса. Функция насоса в данном случае бесполезна.

- Включите прибор в сеть, включите красную кнопку насоса и зеленую кнопку управления насосом, вручную отрегулируйте контрольный клапан. Ковер готов к очистке и к удалению влаги и воды. (У устройства большой вакуумный потенциал и процент дегидратации составляет 90%). После уборки, проветрите ковер.

Два красных переключателя вкл/выкл “MOTOR 1” и “MOTOR 2” на головной панели на схеме F5 включают/выключают управление двигателем вакуумного всасывания. Зеленый выключатель вкл/выкл “PUMP” управляет функцией переключения насоса.

Устройство подходит для очистки любых ковров, полностью шерстяных, синтетических, нейлоновых, ковров из растительных волокон, тканых длинных и коротких одеял. Волокна ковров могут смягчиться, их упругость повысится, срок службы станет больше.

В конструкции устройства использована сетка для защиты от пены из нержавеющей стали, таким образом, пена не попадает в головной отсек прибора при работе. При слишком большом количестве пены, рекомендуется использовать специальное средство для ее растворения.

Внимание: При очистке ковров не используйте воду слишком высокой температуры. Результат может быть лучше в теплой воде, особенно в холодных регионах. Никогда не используйте воду с температурой выше 40 °С.

Когда резервуар полностью заполнен водой, поплавок поднимется для блокирования воздухозаборника в головном участке. В таком случае, вода перестанет поступать в устройство нормальным способом, вода из сопла не будет поглощаться с помощью прозрачного треугольного гребня. Внезапно работа может стать шумной. В таком случае, отключите питание, отнесите устройство в место для слива, откройте шланг резервуара утилизации для опустошения резервуара от грязной воды.

Когда закончите, убедитесь, что воды в резервуаре утилизации больше не осталось. Оставшаяся неиспользованной чистой вода в резервуаре может быть спущена через отверстие в корпусе. Используйте сухое полотенце для очистки корпуса прибора, повесьте шнур питания на специальный крючок на корпусе.

Сроки и условия гарантии

Если любая продукция компании Viper используется в течение полугода (с даты приобретения и получения чека) и ему нанесен вред не по вине пользователя, с чем соглашаются сотрудники компании, устройство будет бесплатно отремонтировано, а необходимые комплектующие заменены (кроме легко повреждаемых частей). Следующие условия, однако, не являются гарантийными:

- Повреждение прибора при неправильном использовании;
- Самостоятельная разборка или изменения конфигурации устройства, повреждения по вине

пользователя;

3. Повреждения по вине пользователя и/или нанесение вреда внешнему виду устройства.

Для запроса относительно качества работы и производительности продукта, свяжитесь с сервисным отделом нашего дистрибьюторского центра вовремя.

Уход за прибором



Внимание: При уходе за прибором, убедитесь, что шнур электропитания выключен из розетки.

1. Убедитесь, что шнур не поврежден.
2. Очищайте устройство после использования. Убедитесь, что резервуар утилизации свободен от грязной воды, пыли или грязи. Полностью вылейте всю воду из резервуара для чистой воды.
3. После уборки, выбейте пылевой фильтр.
4. Чтобы обеспечить хорошее давление воды в насосе, необходимо регулярно снимать фильтр и импортной точки для снятия блокировки и вынимать фильтр с части сопла для удаления блокировки.
5. Сетка для защиты от пены из нержавеющей стали должна быть постоянно очищена от волокон.
6. После очистки мешка для сбора пыли и пылевых фильтров, высушите их.
7. Щетки двигателя должны быть заменены при повреждении от чрезмерного использования.
8. Убедитесь, что напряжение сети совпадает с маркировкой устройства.
9. При повреждении шнура питания, для его замены свяжитесь с отделом послепродажного ухода во избежание травмы при самостоятельном ремонте.

Предупреждение

Меры безопасности должны выполняться при любом использовании электроприбора. Для обеспечения безопасной работы устройства, необходимо выполнять все инструкции.

Наша компания не несет никакой ответственности за несчастные случаи, вызванные пренебрежением инструкций или несвоевременной замены вышедших из строя комплектующих.

- Следующие вещества не могут быть использованы при работе с устройством:

Токсичные порошки, жгучие вещества (например, горящие сигареты, горячий пепел), легковоспламеняющиеся жидкости (бензин, растворители, кислоты и щелочи), горючие порошки (например, магниевый и алюминиевый порошки)

Шнур электропитания



Если розетка не совпадает с вилкой и шнуром электропитания, замените вилку на конце шнура.

Провода внутри кабеля маркированы следующим образом:

Синий ----- нейтральный провод (нулевой провод)

Коричневый -----живой провод

Желто-зеленый -----провод заземления

Синий провод соединяет с терминалом “N”; коричневый – с терминалом “L” и отвечает за подключение устройства; провод заземления маркирован “E”.

Запасные части и комплектующие заменяются при необходимости.

Схема цепи подключения

Для ознакомления со схемой цепи подключения, обратитесь к “Рис. 1” на странице 6.

Параметры спецификации продукта

Для ознакомления с параметрами спецификации, обратитесь к “Форме 1”.

CAR275 Спецификация параметров (форма 1)

Напряжение(V)	220~240
Частота(Гц)	50/60
Мощность(W)	2000
Вакуум(ммН ₂ О)	2005
Воздушный поток(литров/мин)	3115
Шум(дБ)	78
Объем резервуара утилизации(л)	75
Объем резервуара с чистой водой(л)	25
Площадь покрытия(м)	14м
Длина кабеля питания(м)	10м

Introducción:

Este manual es para entender el manejo y el dominio del funcionamiento y el uso de el VIPER CAR275

Esta manual debe ser leído en su totalidad antes de poner en uso el CAR275

Este aparato es un aspirador de alfombras/moquetas.

Descripción de la fabricación del CAR275

Para ver las graficas de las partes del CAR275, consulte Grafica “F1” en la pagina 3 y Grafica “F2” en la pagina 4.

1. Anclaje del gancho del mango en el casco 2.cable de alimentación 3. Anclaje del conector hembra de entrada de la bomba de agua 4. Sujetador del tanque de agua 5 gancho sujetador trasero del tanque del agua de drenada 6. Mango del tanque 7 tanque de agua de drenaje de acero inoxidable 8 panel de los interruptores de encendido y apagado 9. Anclaje del conector hembra de salida de la bomba de agua 10.ensamble de anclaje 11. Malla acero inoxidable para la protección de la espuma producida 12. Filtro de polvo 13 botón del conector de la manguera de succión 14. Conector de la manguera de succión 15. Manguera de desagüe 16. Tapón del tanque del agua limpia 17. Tanque de repuesto 18. Rueda trasera de 10 pulgadas 19. Anclaje del tanque de agua 20.conector macho para la manguera del tanque de agua limpia 21.tanque de agua limpia de 25 litros. 22. Rueda direccional de 3.5 pulgadas. 23.Tapon para el agua de drenado. 24. conector macho para la manguera de succión. 25. Conector para la manguera flexible en la base de la manguera de aspiración 26. Manguera flexible 27. Conector para la manguera ondulada del extremo del codo de metal 28. Conector macho del codo de metal del extremo 29. Rosca del conector hembra del panel de encendido / apagado 30. Válvula de control 31 componente del codo de metal del extremo 32 PU manguera de agua 33.PU clips de sujeción de la manguera 34 boquilla de 110° grados 35 componente del rastrillo triangular transparente de 10 pulgadas. 36. Botón desenroscador transparente.

Instrucciones

1. Llene el depósito de agua limpia con una cantidad apropiada de agua limpia o con una solución acuosa que contenga agentes limpiadores.(Atención: asegúrese que no existen granos de tierra o arena en el agua o en la solución acuosa). La solución acuosa que se utilice para llenar el depósito de agua limpia deben mantenerse a 5 cm por debajo de la entrada de agua del depósito de agua limpia, con el fin de evitar que se derrame cuando la máquina está en funcionamiento. Girar hasta apretar la tapa del depósito de agua limpia.
2. Fijar la pieza de anclaje en el depósito de drenaje de agua de 75-litros, y sujete bien (Atención: para la facilidad de uso, el panel de control de funcionamiento del anclaje debe enfrentarse en dirección del equipo de succión del depósito de agua de drenaje).
3. Refiriéndonos al diagrama F2, conecta bien el componente del codo metal, fije el componente triangular, y ajuste en dirección apropiada del funcionamiento. Fije bien la PU manguera de agua con los clips de sujeción, y fije el control de encendido y apagado a el mango del extremo del codo de metal de la manguera. Fije bien las tuercas hexagonales. Introduzca el conector macho del extremo codo de metal de la manguera a la rosca del conector hembra de del panel de interruptores de encendido / apagado
4. Inserte el extremo de la parte corrugada de la manguera de succión a la punta de la manguera ondulada de succión, e inserte el componente conector macho de la manguera de agua a el conector hembra de la salida del anclaje de la bomba de agua

5. Inserte el componente de conector macho de la manguera de salida del tanque de agua limpia en el conector hembra de la entrada de agua a el anclaje de la bomba de agua.

(Forma de insertar y sacar los conectores macho y hembra: Empuje hacia delante el botón de rosca deslizante, insertar el conector macho, luego suelte el botón deslizante, y se bloquea automáticamente. cuando se va desconectar, pulse el botón deslizante de rosca de el conector hembra y tire del conector macho.)

6. Al finalizar las conexiones como se muestra en el Diagrama F3, conecte la alimentador, encienda el interruptor rojo de aspiración de la bomba, y el uso de este dispositivo para aspiración al vacío:

Atención: Cuando no se requiere agua para la limpieza de la alfombra o cuando el tanque de agua limpia está vacío, no encienda el interruptor verde de la bomba de agua. De lo contrario la función de la bomba de agua se desperdiciara.

7. Conecte el alimentador, encienda el interruptor rojo de la bomba de aspiración y el interruptor verde de la bomba de agua, y use la mano para sujetar la válvula de control. La alfombra está lista para ser limpiada y para la extracción de agua y la humedad. (Este dispositivo tiene una alta capacidad de vacío y el rango de deshidratación es alrededor de un 90%). Después de la limpieza, la alfombra puede ser secada al aire.

Los dos interruptores de encendido el rojo y el verde "MOTOR 1" y "MOTOR 2" de el panel de anclaje en el grafico F5, son interruptores de encendido y apagado del motor de succión de vacío usados para crear la succión al vacío. El control del interruptor de la bomba de agua es el interruptor verde "PUMP" de encendido y apagado.

Este dispositivo puede limpiar alfombras de cualquier calidad, como la lana pura, fibras sintéticas, nylon, fibras vegetales, tejidos de lana mantas y mantas de lana largas y cortas. Se puede recuperar la textura de las fibras de las alfombras, recuperar el rebote de las alfombras, y alarga la vida de las estas frotando y limpiando.

Este dispositivo utiliza esta protegido de la producción de espuma por una malla de acero inoxidable de modo que no entra la espuma al anclaje durante el funcionamiento. Cuando hay espuma, se recomienda la adición de un agente de disolución de espuma.

Atención: No utilice agua a altas temperaturas para limpiar las alfombras. El resultado sería mejor si se utiliza agua tibia, especialmente en regiones relativamente frías. Nunca utilice agua con una temperatura superior a 40 ° C.

Cuando está completamente lleno de agua, el flotador subirá para bloquear la entrada de aire del anclaje. En ese momento, el dispositivo no puede aspirar agua de la manera normal, y el agua expulsada por la boquilla no puede ser aspirada a través de la rastrillo triangular transparente. El ruido de repente puede llegar a ser más fuerte. En tal caso, apague el alimentador, lleve el dispositivo a un área de drenaje y abra la manguera de drenaje para vaciar el tanque de agua sucia.

Cuando esté terminado, asegúrese de que el agua sucia del tanque de agua de drenaje está completamente expulsada. El agua restante que no ha sido utilizada del depósito de agua limpia debe ser expulsada a través de la salida en la base. Utilice un paño seco para limpiar el cuerpo del dispositivo y vuelva a colocar el cable de alimentación en anclaje del gancho del mango

Términos y condiciones de la Garantía.

Cuando un producto VIPER se utiliza dentro de un plazo de medio año (desde la fecha de la facturación de



compra), y si se encuentran defectuosos por causas no humanas y cuando se determina que es verdad a través de nuestra empresa, el dispositivo se reparará de forma gratuita o las partes serán sustituidas (salvo las partes más vulnerables). Las siguientes condiciones, sin embargo, no están cubiertas por la garantía:

1. Daño del producto causado por una utilización incorrecta;
2. Desembalaje o cambios realizados en el dispositivo por el hombre los daños en el dispositivo.
3. Daños causado por el hombre y / o cambios hecho a la apariencia del dispositivo.

Para la investigación sobre la calidad o el funcionamiento del producto, por favor póngase en contacto con el departamento de servicio de nuestros centros de distribución y ventas en el momento necesario.

Cuidado y mantenimiento



Atención: Cuando hace el cuidado y el mantenimiento, asegúrese de que el cable de alimentación se ha desconectado de la toma.

1. Asegúrese de que el cable de alimentación está intacto.
2. Limpiar el dispositivo después de su uso. Asegúrese de que el tanque de agua de drenaje esté libre de agua sucia, suciedad o de polvo. Vacíe por completo el agua utilizada del tanque de agua limpia.
3. Después de pasar la aspiradora, el filtro de polvo debe ser sacudido fuerza.
4. Para asegurarse que la presión del agua en la bomba sea buena, es necesario retirar el filtro regularmente por el punto de inserción para eliminar las obstrucciones y sacar el filtro por el punto de la boquilla para eliminar las obstrucciones.
5. La malla acero inoxidable de protección contra la espuma deben ser limpiados regularmente de pelusas de lana para evitar el efecto bloqueo en la succión.
6. Después de limpiar la bolsa del polvo y el filtro del polvo, deberán estar completamente secos antes de volver a utilizarse.
7. El motor de carbono del cepillo debe ser reemplazado cuando se daña por el exceso de uso.
8. Asegúrese de que el voltaje que se utiliza sea compatible con el voltaje indicado en la etiqueta del dispositivo.
9. Si el cable eléctrico está dañado, el departamento de servicio post-venta debe ser contactado para la sustitución con el fin de evitar cualquier incidente.

Advertencia

La seguridad debe ser prioridad en todo momento cuando cualquier dispositivo eléctrico es utilizado. Con el fin de garantizar un funcionamiento seguro del dispositivo, es necesario darle la un cuidado regular y su mantenimiento.

Nuestra empresa no se hace responsable de los accidentes de seguridad causados por la falta de cuidado y mantenimiento o por reemplazo prematuro de las piezas defectuosas.

➤ Las siguientes sustancias no deben ser utilizadas en el dispositivo:

Cualquier polvo dañino, sustancias ardientes (por ejemplo: cigarrillo, cenizas calientes), líquidos inflamables

(gasolina, disolventes, ácidos y alcalinos líquidos corrosivos), polvo inflamable (por ejemplo, magnesio y aluminio en polvo)

Cable de alimentación



Si la toma externa no coincide con el enchufe del cable de alimentación de este aparato, corte la clavija de este dispositivo y adapte un clavija apropiada en su lugar. Los cables dentro del cable de alimentación están etiquetados de acuerdo con las siguientes normas:

Cable azul ----- cable neutro (cable cero)

Cable marrón -----cable de alta tensión

Cable Amarillo-verde -----Polo a tierra

El cable azul se conecta con el terminal marcado con "N", el marrón y el terminal "L" conectar con el dispositivo y el polo a tierra está marcado con "E".

Los cambios de partes y accesorios se harán sin previo aviso.

Esquema de circuitos de conexión

Para ver el esquema de circuito de conexión, consulte la "Grafica 1" en la página 6.

Parámetro de las especificaciones del producto

Para ver parámetros de especificación, consulte la "Grafica 1".

CAR275 Descripción de parámetros (Forma1)

Voltaje (V)	220~240
Frecuencia (Hz)	50/60
Potencia (W)	2000
Aspirador (mmH ₂ O)	2005
Fluid de aire (ltr/min)	3115
Ruido (dBA)	78
Capacidad del tanque para el agua de drenaje (L)	75
Capacidad del tanque para agua limpia (L)	25
Diámetro operacional (m)	14m
Longitud del cable (m)	10m

Giriş:

Cihazın kullanım ömrü 10 yıldır.

Bu kılavuz Viper'ı tanımak ve CAR275'i en iyi şekilde kullanmak içindir.

Kullanmadan önce bu kılavuz baştan sona dikkatlice okunmalıdır.

Bu cihaz ticari bir halı temizleyicidir.

Cihaz yapısının tanıtımı

CAR275'in yapısı ve parçaları hakkında, Sayfa 3'teki "F1" Şemaya ve Sayfa 4'teki "F2" Şemaya bakın.

1. Başlık kısmı tutamağı 2. Güç kablosu 3. Başlık kısmı su pompası girişi hızlı dişi konnektör 4. Su tankı mandalı 5. Atık su tankı arka mandal kancası 6. Tank tutamağı 7. Paslanmaz çelik atık su tankı 8. Açma/kapama anahtar paneli 9. Başlık kısmı su pompası çıkışı hızlı dişi konnektör 10. Başlık kısmı 11. Paslanmaz çelik köpük koruma ağı 12. Toz filtresi 13. Emme hortumu kaide düğmesi 14. Emme hortumu kaidesi 15. Boşaltma hortumu 16. Temiz su tankı kapağı 17. Yedek tank 18. 10-inç arka tekerlek 19. Su tankı mandalı 20. Temiz su tank hortumu hızlı erkek konnektörü 21. 25-litrelik temiz su tankı kaidesi 22. 3.5"yön değiştirebilen tekerlek 23. Su boşaltma kapağı 24. Emme hortumu kaidesi için erkek konnektör 25. Emme hortumu kaidesi üzerinde oluklu hortum konnektörü 26. Oluklu hortum 27. Metal dirsek uç oluklu hortumu için konnektör 28. Metal dirsek uç için hızlı dişi konnektör 29. Açma/kapama anahtar panelinin vida dişli hızlı dişi konnektörü 30. Kontrol valfi 31. Metal dirsek uç 32. PU su hortumu 33. PU su hortumu tutma klipsleri 34. 110° nozül 35. 10" transparan üçgenel başlık 36. Sökme için kayıcı düğme

Talimatlar

1. Temiz su tankını uygun miktarda temiz su ile veya temizleme ajanı ihtiva eden sulu çözelti ile doldurun (Dikkat: Pislik ve kum tanesi içermemelidir). Makine çalışmakta iken taşmaya mani olmak için temiz su tankını doldurmak için kullanılacak olan sulu çözeltinin temiz su tankı girişinin 5 cm aşağısında tutulmalıdır. Temiz su tankı kapağı sıkıca kapatılmalıdır.
2. Baş kısmını 75-litrelik atık su tankı üzerine takın ve sıkıştırın (Dikkat: kullanım kolaylığı için, baş kısmın çalıştırma kontrol paneli atık su tankının emme yönüne bakmalıdır).
3. F2 şemaya bakarak, metal dirseği düzgünce birleştirin, üçgen başlığı takın ve uygun çalıştırma yönüne ayarlayın. PU su hortumu tutma klipslerini güzelce takın ve açma/kapama kontrolünü metal dirsek hortum tutamak ucuna takın. Altıgen somunları sıkıca yerine takın. Metal dirsek hortumun hızlı erkek konnektörünü açma/kapama anahtar panelinin dişli hızlı dişi konnektörüne takın.
4. Emme hortumu ucunun oluklu kısmını emme hortumu ucuna takın ve su hortumu erkek konnektörünü başlık kısmı su pompası çıkışının hızlı dişi konnektörüne takın.
5. Temiz su tankı çıkış noktası erkek konnektörünü, başlık kısmı su pompasının su girişi hızlı dişi konnektörüne takın.

(Hızlı erkek ve dişi konnektörlerin takılma ve çıkarılma şekli: Vidalı kayar butonu ileri doğru itin, erkek konnektörü takın daha sonra kayar butonu serbest bırakın ve otomatik olarak kilitlenecektir. Çıkarmak gerektiği zaman dişi konnektörün vidalı kayar butonuna bastırın ve erkek konnektörü çekin.)

6. F3 Şemada gösterilen bağlantıları yaptıktan sonra güç kablosunu prize takın, kırmızı emme pompası anahtarını açın ve bu cihazı emme vakumu için kullanın:

Dikkat: Halı yıkama için suya ihtiyaç duyulmadığında veya temiz su tankı boş iken, yeşil su pompası anahtarını açmayın. Yoksa su pompası işlevini yitirecektir.

7. Güç kablosunu takın, kırmızı emme pompası anahtarı ve yeşil su pompası kontrol anahtarını açın ve buradaki tutamağı kontrol valfini tutmak için kullanın. Şu anda halı temizlemeye hazırdır ve su ve nem emmeye hazırdır. (Bu cihaz yüksek vakum kapasitesine sahiptir ve dehidrasyon oranı yaklaşık %90'dır). Temizlemeden sonra halı hava ile kurutulabilir.

F5 Şemasındaki Başlık kısmı panelinin iki kırmızı açma/kapama "MOTOR 1" ve "MOTOR 2" anahtarları emme vakumunu oluşturan vakum emme kontrolü açma/kapama anahtarlarıdır. Yeşil açma/kapama "PUMP" anahtarı su pompasının kontrol anahtarıdır.

Cihaz, saf yün, sentetik, naylon, bitki lifinden, dokuma yün battaniyeler ve uzun ve kısa yün battaniyeler gibi her türden halıyı temizleyebilir. Halıların liflerini yumuşatabilir, halıların canlılığını geri getirebilir ve eskimiş ve temizlenmiş halıların ömürlerini uzatabilir.

Bu cihaz, çalışma esnasında başlık kısmına herhangi bir köpük girmemesi için paslanmaz çelikten bir köpük-koruma ızgarası kullanmaktadır. Aşırı köpük oluştuğunda köpük giderici eklenmesi önerilmektedir.

Dikkat: Halıları temizlerken yüksek sıcaklıkta su kullanmayın. Özellikle göreceli olarak soğuk bölgelerde ılık su kullanılırsa sonuç daha iyi olacaktır. Asla 40o C'nin üzerinde su kullanmayın.

Tamamen su doldurulduğunda yüzen düzenek başlık kısmının hava almasını tıkayacak şekilde yükselecektir. Böyle bir durumda, cihaz normal şekilde su ememez ve nozülünden çıkan su transparan üçgen başlık tarafından emilemez. Birden gürültü artabilir. Bu durumda, gücü kapatın, cihazı bir boşaltma alanına götürün ve su dolu tankı boşaltmak için su boşaltma hortumunu açın.

Tamamlandığında, atık su tankında bulunan atık sunun tamamen boşaldığından emin olun. Temiz su tankındaki geri kalan kullanılmamış temiz su kaidedeki çıkış kullanılarak boşaltılmalıdır. Cihazın gövdesini temizlemek için kuru bir havlu kullanın ve başlık kısmı kanca tutamağındaki güç kablosunu yerine takın.

Garanti Şartları ve Koşulları

Herhangi bir Viper ürünü iki yıl kullanım içerisinde (fatura tarihinden itibaren) ve eğer kullanım hatasından kaynaklanmayan bir nedenden dolayı arızalı ise ve şirketimiz tarafından bu doğrulandığında cihaz ücretsiz olarak tamir edilecek veya parçalar değiştirilecektir (hassas parçalar hariç). Aşağıdaki koşullar garanti kapsamında değildir:

1. Yanlış kullanımdan kaynaklanan cihaz hasarı;
2. Gerçeğin gizlenmesi veya cihazda yapılan değişiklikler ve insanların vermiş olduğu hasarlar;
3. Cihaz görünümüne insanların vermiş olduğu zarar ve/veya yamultmalar.

Ürün kalitesi veya çalışması hakkında öğrenmek istediğiniz herhangi bir konuda lütfen zamanında dağıtım ve satış merkezlerimizin servis departmanları ile irtibata geçin.



Bakım ve Onarım

Cihazın kullanım ömrü 10 yıldır.



Dikkat: Bakım ve onarım gerçekleştirileceği zaman güç fişinin prizden çekilmiş olduğundan emin olun.

1. Güç kablosunun bütünlüğünü kontrol edin.
2. Kullanımdan sonra cihazı temizleyin. Atık su tankında kirli su, pislik veya toz olmadığından emin olun. Temiz su tankında bulunan kullanılmamış suyu tamamen boşaltın.
3. Vakum sonrası toz filtresi iyi bir şekilde çırpılmalıdır.
4. Pompadaki su basıncının iyi olduğundan emin olmak için, tıkanıklığı gidermek amacıyla dışarıdan alış noktasındaki filtreyi ve tıkanıklığı gidermek amacıyla ağızlık bölümündeki filtreyi düzenli olarak sökmek gereklidir.
5. Paslanmaz çelikten yapılmış olan köpük koruma ağı emme fonksiyonuna olumsuz etki yapmaması için düzenli olarak yün tüycüklerinden temizlenmelidir.
6. Toz torbasını ve toz filtresini temizledikten sonra tekrar kullanmak için tamamen kuru olmalıdırlar.
7. Aşırı kullanımdan dolayı hasar gördüğünde motor karbon fırçaları değiştirilmelidir.
8. Şehir şebekesi voltajının cihaz üzerindeki etikette yazan ile uyumlu olduğundan emin olun.
9. Eğer güç kablosu hasar görmüşse tehlikeli bir durumdan korunmak için değişim yapılmak üzere satış sonrası servis departmanı ile irtibata geçilmelidir.

Uyarı

Bir elektrikli cihaz kullanıldığında daima emniyet göz önünde bulundurulmalıdır. Cihazın emniyetli bir şekilde çalıştığından emin olmak için düzenli olarak bakım ve onarımı yapılmalıdır.

Bakım ve onarım yapılmaması veya hasarlı parçaların zamanında değiştirilmemesinden doğabilecek bir kazadan dolayı şirketimiz sorumlu tutulamaz.

➤ Aşağıdaki maddeler cihazda kullanılmamalıdır:

Zarar verici tozlar, kuruyan maddeler (mesela: yanan sigara, sıcak kül, yanıcı sıvılar (petrol, çözücüler, asit ve alkali korozyif sıvılar), yanıcı toz (mesela: magnezyum ve alüminyum tozu)

Güç Kablosu

Eğer harici soket bu cihazın güç kablosuna uymazsa fişi kesin ve bunun yerine uygun olanı takın. Güç kablosunun içerisindeki teller aşağıdaki düzenlemeye göre etiketlenmiştir:

Mavi tel ----- nötr tel (Zero wire)

Kahverengi tel -----elektrikli tel

Sarı-yeşil tel -----topraklama teli

Mavi tel “N” işaretli terminale bağlıdır; kahverengi tel “L” işaretli terminal ile cihaza bağlıdır ve topraklama “E” ile bağlıdır.

Parça ve aksesuarlar bilgi verilmeksizin değiştirilebilir.

Bağlantı Şeması

Bağlantı şeması için Sayfa 6'daki “Şekil 1” 'e bakın.

Ürün Özellikleri Parametresi

Özellik parametreleri için “Form 1” 'e bakın.

CAR275 Teknik Özellikler (Form1)

Voltaj(V)	220~240
Frekans(Hz)	50/60
Güç(W)	2000
Vakum(mmH ₂ O)	2005
Hava Akışı(ltr/min)	3115
Gürültü(dBA)	78
Atık Su Tank Kapasitesi(L)	75
Temiz Su Tank Kapasitesi(L)	25
Çalışma Çapı(m)	14m
Güç Kablosu Uzunluğu(m)	10m

Üretici ve İthalatçı bilgileri

Üretici Bilgisi

Viper Cleaning Equipment Co. Ltd.
Viper Industrial Estate
Liangbian, Liaobu,
Dongguan, Guangdong
CHINA
Tel: +86-769 83283988
Fax: +86-769-8328 0104

İthalatçı Bilgisi

Nilfisk-Advance Profesyonel
Temizlik Ekipmanları Tic. A.Ş.
Şerifali Mah. Bayraktar Blv.
Şehit Sk. No:7, 34775
Ümraniye İstanbul
TURKEY
Tel : +90 216 466 94 94
Fax : +90 216 527 30 32

Въведение:

Това ръководство има за цел да Ви запознае с уреда Вайпър и да ви помогне да овладеете функциите на CAR275.

Прочетете го внимателно, преди да използвате уреда.

Уредът е предназначен за професионално почистване на подови настилки.

Описание и устройство на уреда.

Относно части и схеми на устройството на CAR275, вижте Схема "F1" на страница 3 и схема "F2" на страница 4.

1. Гнездо за прибиране на корпуса 2. Захранващ кабел 3. Женски F конектор за отвора на помпата на корпуса 4. Захващаща скоба за контейнера за вода 5. Задна захващаща скоба за резервоара за мръсна вода 6. Дръжка на резервоара 7. Резервоар за мръсна вода от неръждаема стомана 8. Панел бутони включване/изключване 9. Женски F конектор за извод на помпата на корпуса 10. Корпус 11. Филтър за пяна от неръждаема стомана 12. Филтър за прах 13. Бутон за прибиране на смукателната тръба 14. Гнездо на смукателната тръба 15. Маркуч за източване 16. Капачка на резервоара за чиста вода 17. Резервен контейнер 18. 10-инчово задно колело 19. Щипки за резервоара 20. Мъжки F конектор за маркуча на резервоара за чиста вода 21. Гнездо за 25-литровия контейнер за вода 22. 3.5-инчова направляваща ролка 23. Пробка за източване на водата 24. Мъжки конектор за основата на смукателната тръба 25. Гнездо за гофрирания маркуч в основата на смукателната тръба 26. Гофриран маркуч 27. Накрайник за гофрирания маркуч и метално коляно 28. Мъжки F конектор за металното коляно 29. Женски F конектор с резба за панела за управление 30. Управляващ вентил 31. Метално коляно 32. Воден маркуч 33. Захващащи щипки на водния маркуч 34. Дюза 110° 35. 10-инчова прозрачна триъгълно гребло 36. Регулируем плъзгач

Инструкции

1. Напълнете резервоара за чиста вода с подходящото количество вода или воден разтвор с почистващи препарати (Внимание: Не трябва да попада мръсотия или пясъчинки). Нивото на почистващия разтвор трябва да е около 5 см под отвора, за да се избегне преливане по време на работа. Затегнете добре капачката на резервоара за чиста вода.
2. Поставете корпуса върху 75-литровия резервоар за мръсна вода и затегнете добре (Внимание: за улеснение, панела за управление на корпуса трябва да е разположен противоположно на смукателния механизъм на резервоара за мръсна вода).
3. Според схема F2, свържете металното коляно, поставете триъгълния накрайник и нагласете спрямо желаната посока. Закопчайте добре захващащите скоби на водния маркуч и захванете бутона за включване/изключване към дръжката на металното коляно. Завийте шестостенните гайки. Свържете женския F конектор в единия край на металното коляно към женския F конектор с резба на панела за управление.
4. Пъхнете гофрирания маркуч в смукателната тръба и свържете мъжкия F конектор на водния маркуч към женския F конектор на извода за помпата.
5. Свържете мъжкия конектор на извода на маркуча за чиста вода с женския F конектор на отвора на

водната помпа.

(Правилният начин за включване и изключване на женските и мъжките F конектори: Натиснете напред оребрения плъзгач, пхнете мъжкия конектор, след което освободете плъзгача и той ще се заключи автоматично. За да изключите, натиснете оребрения плъзгач на женския конектор и издърпайте мъжкия конектор.)

6. Когато уредът е сглобен според схема F3, включете захранването, включете червения бутон на смукателната помпа и използвайте уреда за прехосмукиране:

Внимание: Когато за почистването не е необходима вода или когато резервоарът за чиста вода е празен, не включвайте зеления бутон за водната помпата. В противен случай помпата ще работи напрасно.

7. Включете захранването, включете червения бутон на смукателната помпа и зеления бутон за водната помпа и с ръка придържайте контролния вентил. Килимът е готов за почистване и подсушаване. (Уредът има висока смукателна способност и степен на обезвлажняване около 90%). След като е почистен, килимът трябва да се подсуши.

Двата червени бутона "MOTOR 1" и "MOTOR 2" на панела за управление на схема F5 са бутоните за включване/изключване на прехосмукачката. Зеленият бутон "PUMP" служи за включване/изключване на водната помпа.

Уредът може да почиства всякакви килими: от естествена вълна, синтетични материи, найлон, естествени влакна, тъкани вълнени одеяла, както и вълнени одеяла с дълги и къси влакна. Омокотява влакната на килимите, възстановява и освежава цветовете на захабени килими.

Този уред е оборудван с филтър за пяна от неръждаема стомана, така че в корпуса да не влиза пяна. Ако има твърде много пяна, препоръчително е да добавите разтворител.

Внимание: Не използвайте прекалено гореща вода при почистване на килими. Използването на хладка вода може да подобри резултата, особено в по-студени райони. Никога не използвайте уреда, ако околната температура надвишава 40 °C.

Когато контейнерът е пълен с вода, поплавка се издига, за да блокира притока на въздух към корпуса. В такъв случай, уредът може да не всмуква достатъчно вода и течността, разпръсквана от дюза може да не се всмуква през прозрачното триъгълно гребло. Възможно е шумът да се усили изведнъж. Ако това се случи, изключете уреда, и на подходящо за източване място освободете маркуча за източване, за да изпразните контейнера от съдържанието му.

Когато приключите, уверете се, че мръсната вода е напълно източена от резервоара. Останалата в резервоара за чиста вода течност трябва също да се излее от пробката в основата. Със суха кърпа подсушете корпуса и навийте захранващия кабел в гнездото за прибиране на корпуса.

Гаранционни условия

Ако който и да е уред на Вайпър, който се ползва в продължение на половин година (считано от датата на покупката), дефектира поради независещи от ползвателя обстоятелства, след като дефектът бъде потвърден от нашата фирма, уредът ще бъде поправен и повредените части ще бъдат заменени безплатно (освен консумативите). Следните условия обаче, не се покриват от гаранцията:

1. Щети, причинени от неправилна експлоатация;
2. Щети или повреди, причинени от ползвателя.
3. Повреди и щети по външния вид на уреда.

За повече информация относно качеството или работата на уреда, моля свържете се с нашите сервизни центрове или локални дистрибутори.

Почистване и поддръжка



Внимание: При почистване и поддръжка, уверете се, че захранващия кабел е изключен от контакта.

1. Проверете дали захранващият кабел е изправен.
2. Почистете уреда след употреба. Уверете се, че в контейнера за мръсна вода няма вода, мръсотия или прах.
3. След почистване филтъра за прах трябва да бъде изтупан.
4. За да се уверите, че налягането на водата в помпата е достатъчно добро, е необходимо редовно да вадите филтъра откъм точката на засмукване и да отстраните замърсяванията, както и откъм дюзата - отново с цел отстраняване на замърсяванията.
5. Филтъра за пяна от неръждаема стомана трябва да бъде почистван редовно от влакна, за да се предотврати запушване и намаляване на смукателната способност.
6. След почистване на контейнера и филтъра за прах, те трябва да бъдат напълно сухи, преди да се използват отново.
7. Графитната четка на мотора трябва да се подмени, когато се износи.
8. Уверете се, че работното напрежение съвпада за предписанията на уреда.
9. Ако захранващия кабел е наранен, свържете се със сервизния център, за да го подменят. По този начин ще избегнете щети и наранявания.

Внимание!

Безопасността трябва да е на първо място при използване на уреда. За да осигурите безопасната работа на уреда, поддържайте го и го почиствайте редовно.

Компанията не поема отговорност за инциденти, причинени от лоша поддръжка или ненавременна подмяна на износени части.

➤ Следните вещества не бива да се използват с уреда:

Опасен прах, изгарящи вещества (например: горяща цигара, пепел, запалими течности (бензин, разтворители, киселина или основа), запалима пудра (например: магнезий или алуминий на прах)

Захранващ кабел



Ако външният контакт не съвпада с щепсела на захранващия кабел на уреда, отстранете щепсела и

го заменете с подходящ крайник. Проводниците в захранващия кабел са обозначени според следната схема:

Син кабел ----- неутрален проводник (нула)

Кафяв кабел ----- фаза

Жълто-зелен кабел ----- заземяващ

Синият проводник е свързан с клемата, маркирана с "N"; Кафявият проводник и клемата "L" са свързани с уреда, а заземяващият проводник е обозначен с "E".

Частите и аксесоарите могат да бъдат променяни без предупреждение.

Електрическа схема

За повече информация относно електрическата схема, вижте "Фигура 1" на страница 6.

Технически спецификации на уреда

За информация относно спецификациите, вижте "Форма 1".

SAR275 Технически параметри (Form1)

Напрежение(V)	220~240
Честота(Hz)	50/60
Мощност(W)	2000
Смукателна способност(mmH ₂ O)	2005
Вакуум(ltr/min)	3115
Ниво на шума(dBA)	78
Обем на резервоара за мръсна вода(L)	75
Обем на резервоара за чиста вода(L)	25
Обсег на движение(m)	14m
Дължина на кабела(m)	10m

Úvod:

Tento manuál slouží pro pochopení produktu Viper a zvládnutí obsluhy a využívání CAR275.

Tento manuál byste si před použitím produktu měli důkladně přečíst.

Toto stroj je určeno pro komerční čištění koberců.

Popis konstrukce stroj

Schémata s díly konstrukce CAR275 naleznete v diagramu "F1" na straně 3 a "F2" na straně 4.

1. Úchyt pro zavěšení vysavačové hlavice 2. Napájecí kabel 3. Zásuvka přívodu čerpadla vodní hlavice 4. Upevňovací pojistka vodní nádrže 5. Zadní upevňovací úchyt odtokové nádrže 6. Úchyt nádoby 7. Odtoková nádrž z nerezové oceli 8. Spínací panel pro zapnutí/vypnutí 9. Zásuvka vývodu čerpadla vodní hlavice 10. Vysavačová hlavice 11. Síťka z nerezové oceli chráněná pěnou 12. Prachový filtr 13. Základní tlačítko sací hadice 14. Jednotka sací hadice 15. Odtoková hadice 16. Víko nádrže s čistou vodou 17. Náhradní nádrž 18. Zadní kolo 25cm 19. Upevňovací pojistka vodní nádrže 20. Součástka zástrčky hadice nádrže na čistou vodu 21. Jednotka nádrže na čistou vodu o objemu 25 litrů 22. Řídicí kolo 9cm 23. Víko pro odtok vody 24. Součástka zástrčky konektoru pro jednotku sací hadice 25. Konektor pro vlnitou hadici na jednotce sací hadice 26. Vlnitá hadice 27. Konektor pro vlnitou hadici kovové koncovky ohbí 28. Konektor kovové koncovky ohbí 29. Závitový konektor spínacího panelu pro zapnutí/vypnutí 30. Regulační ventil 31. Koncovka kovového ohbí 32. PU vodní hadice 33. PU klipsy pro uchycení vodní hadice 34. Tryska 110° 35. Transparentní trojúhelníkový zešikmený díl 36. Posuvné tlačítko pro odšroubování

Pokyny

1. Naplňte nádrž na čistou vodu odpovídajícím množstvím čisté vody nebo vodného roztoku s čisticím prostředkem (Pozor: Nesmí obsahovat žádnou špinu a zrnka písku). Vodný roztok použitý k naplnění nádrže na čistou vodu musí být 5 cm pod přívodem nádrže na čistou vodu, aby nedošlo k jeho rozlítí, když je stroj v provozu. Pevně otočte víkem nádrže na čistou vodu.
2. Nasadte vysavačovou hlavici na 75-litrovou nádrž odpadní vody, a dobře ji upevněte (Pozor: pro snadné použití by měl ovládací panel vysavačové hlavice odpovídat směru sací sady nádrže na odpadní vodu).
3. Podle schématu F2 dobře připojte i kovové ohbí, upevněte trojúhelníkovou součást a nastavte na odpovídající směr provozu. Dobře upevněte klipsy pro zachycení PU hadice a připevněte ovladač pro zapnutí/vypnutí ovládání na koncovku rukojeti kovového ohbí hadice. Šestihřanné matice dobře utáhněte. Vložte zástrčku kovové koncovky ohbí hadice do závitové zásuvky na spínacím panelu pro zapnutí/vypnutí.
4. Vložte vlnitou hadici koncovky sací hadice do koncovky sací hadice, a vložte zástrčku vodní hadice do zásuvky na výstupu čerpadla vysavačové hlavice.
5. Vložte zástrčku na výstupu hadice nádrže na čistou vodu do zásuvky na přívodu vody čerpadla vysavačové hlavice.

(Způsob, jak vložit a vytáhnout zástrčky: Zatlačte na závitové posuvné tlačítko, vložte zástrčku, pak uvolněte posuvné tlačítko, a to se automaticky zablokuje. Pokud chcete zástrčky odpojit, stiskněte závitové posuvné tlačítko na zásuvce a vytáhněte zástrčku.)

6. Pro dokončení připojení, jak je uvedeno ve schématu F3, připojte napájení, zapněte červený spínač sacího

čerpadla, a použijte stroj pro vysávání:

Pozor: Pokud k čištění koberců není voda potřeba, nebo pokud je nádrž na čistou vodu prázdná, nezapínejte zelený spínač vodního čerpadla. V opačném případě bude funkce vodního čerpadla zbytečná.

7. Připojte napájení, zapněte červený spínač sacího čerpadla a zelený spínač vodního čerpadla, a pomocí rukou podržte regulační ventil. Koberec je nyní připraven k čištění a pro extrakci vody a vlhkosti. (Toto stroj má vysokou kapacitu vysávání a míra dehydratace rychlost je asi 90%). Po čištění může být koberec vysušen vzduchem.

Dva červené spínače pro zapnutí/vypnutí "MOTOR 1" a "MOTOR 2" na panelu vysavačové hlavičky podle schématu F5 slouží jako regulační spínače k zapnutí/vypnutí sacího motoru pro sací podtlak. Zelený spínač pro zapnutí/vypnutí "PUMP" je regulační spínač vodního čerpadla.

Toto stroj může čistit koberce jakékoli kvality, jako je čistá vlna, syntetická vlákna, nylon, rostlinná vlákna, tkané vlněné příkrývky, a vlněné deky s dlouhým a krátkým vlasem. Může změkčit vlákna koberců, obnovit nadýchanost koberců a prodloužit životnost třeňých a vyčištěných koberců.

Toto stroj používá síťku z nerezové oceli chráněnou pěnou tak, že se během provozu do hlavičky nedostane žádná pěna. Pokud se vytvoří nadměrné množství pěny, doporučuje se přidat prostředek na rozpouštění pěny.

Pozor: Při čištění koberců nepoužívejte vodu o vysoké teplotě. Lepších výsledků dosáhnete s použitím vlažné vody, a to zejména v relativně chladných oblastech. Nikdy nepoužívejte vodu o teplotě vyšší než 40 ° C.

Až bude nádrž zcela naplněna vodou, plovákový ventil zablokuje přívod vzduchu hlavičky. Tehdy stroj nemusí nasávat vodě normálním způsobem, a voda uvolněná z trysky se nemusí nasát přes průhledný trojúhelníkový díl. Hluk může náhle zesílit. V takovém případě vypněte napájení, přesuňte přístroj k místu pro vypuštění vody, otevřete odtokovou hadici k vyprázdnění nádrže špinavé vody.

Po dokončení se ujistěte, že v nádrži odpadní vody nezbyla žádná špinavá voda. Zbylou nevyužitou vodu v nádrži s čistou vodou byste měli odčerpat přes vývod na jednotce. K čištění vnější části stroj použijte suchý ručník, a vraťte napájecí kabel na úchyt rukojeti hlavičky.

Podmínky záruky

Pokud je jakýkoliv výrobek společnosti Viper používán po dobu půl roku (od data nákupu uvedeného na faktuře), a je-li zjištěna závada vlivem jiného než špatného zacházení ze strany uživatele, a pokud ji naše společnost uzná za oprávněný nárok, bude stroj opraveno zdarma nebo budou jeho části vyměněny (s výjimkou citlivých částí). Následující podmínky však nejsou zárukou pokryty:

1. Poškození výrobku způsobené nesprávným použitím;
2. Svévolně provedené úpravy nebo změny na stroj a z nich plynoucí škody;
3. Závady způsobené nesprávným zacházením a/nebo úpravami vzhledu stroj.

Pro dotazy ohledně kvality nebo provozu produktu včas kontaktujte servisní oddělení naší distribuce a prodejních center.

Čištění a údržba

Pozor: Při čištění a údržbě se ujistěte, že je napájecí kabel vytažen ze zásuvky.

1. Ujistěte se, že napájecí kabel není poškozen.
2. Po použití stroj vyčistěte. Ujistěte se, že odtoková nádrž neobsahuje špinavou vodu, nečistoty nebo prach. Veškerou nevyužitou vodu v nádrži na čistou vodu vypusťte.
3. Po ukončení vysávání je třeba prachový filtr vyprášit.
4. Pro zajištění dobrého tlaku vody v čerpadle je třeba pravidelně vyjmout filtr u výpusti a filtr u trysky a odstranit nečistoty, které by mohly filtry ucpávat.
5. Síťku z nerezové oceli chráněnou pěnou byste měli pravidelně čistit od chomáčů vlny, aby nedošlo k omezení sání.
6. Po vyčištění je třeba prachový sáček a prachový filtr nechat zcela vysušit, aby se mohly znovu použít.
7. Motorový uhlíkový kartáč je třeba při jeho poškození vlivem nadměrného užívání vyměnit.
8. Ujistěte se, že používané napětí se shoduje s napětím vyznačeným na štítku stroj.
9. Pokud je napájecí kabel poškozen, je třeba kontaktovat poprodejní servis ohledně jeho náhrady, aby nedošlo k újmě na zdraví.

Varování

Při práci s elektrickým přístrojem musí být za všech okolností dodržena bezpečnostní pravidla. Za účelem zajištění bezpečného provozu stroj je nutné, abyste dodržovali pokyny pro pravidelné čištění a údržbu.

Naše společnost neponese žádnou zodpovědnost za jakékoliv nehody způsobené nedostatkem péče a údržby nebo nevhodnou výměnou vadných dílů.

➤ V tomto stroji nesmí být použity následující látky:

Zdraví škodlivé prachové látky, horké materiály (např.: doutnající cigarety, horký popel), hořlavé kapaliny (benzín, rozpouštědla, kyseliny a louhy), hořlavé prachy (např.: hořčíkový a hliníkový prach)

Napájecí kabel

Pokud externí zásuvka neodpovídá zástrčce napájecího kabelu tohoto stroje, odpojte konektor tohoto stroje a nahraďte ho přiměřenou náhradní zástrčkou.

Vodiče uvnitř napájecího kabelu jsou označeny podle následujících pravidel:

Modrý vodič ----- neutrální vodič (Nulový vodič)

Hnědý vodič ----- fázový vodič (pod napětím)

Žluto-zelený vodič ----- uzemňovací vodič

Modrý vodič spojuje svorku označenou "N", hnědý vodič a svorka "L" se připojuje k stroji; a vodič ochranného uzemnění je označen "E".

Změny součástí a příslušenství jsou vyhrazeny.

Schéma zapojení obvodu

Schéma zapojení obvodu naleznete na "Obrázku 1" na straně 6.

Parametry specifikace produktu

Parametry specifikace naleznete v "Tabulce 1".

CAR275 Specifikace (Tabulka 1)

Napětí(V)	220-240
Kmitočet(Hz)	50/60
/Výkon(W)	2000
Sání(mmH ₂ O)	2005
(Proud vzduchu(l/min))	3115
Hluk(dBA)	78
/Kapacita nádrže na odtok vody(L)	75
Kapacita nádrže na čistou vodu(L)	25
Provozní rozsah(m)	14m
Délka napájecího kabelu(m)	10m

Úvod:

Tento manuál slúži pre pochopenie produktu Viper a zvládnutie obsluhy a používania CAR275.

Tento manuál by ste si pred použitím produktu mali dôkladne prečítať.

Toto stroj je určený pre komerčné čistenie kobercov.

Popis konštrukcie stroja

Schémy s diely konštrukcie CAR275 nájdete v obrázku "F1" na strane 3 a "F2" na strane 4.

1. Úchyt pre zavesenie vysávačovej hlavice
2. Napájací kábel
3. Zásuvka na pripojenie prívodu vodného čerpadla
4. Upevňovacia poistka vodnej nádrže
5. Zadný upevňovací úchyt odpadovej nádrže
6. Rukoväť nádoby
7. Odpadová nádrž z nerezovej ocele
8. Spínací panel pre zapnutie/vypnutie
9. Zásuvka na pripojenie rýchlo-spojky vývodu čerpadla
10. Hlava vysávača
11. Sieťka z nerezovej ocele chránená penou
12. Prachový filter
13. Tlačidlo pripojenia sacej hadice
14. Prípojka sacej hadice
15. Odtoková hadica odpadovej vody
16. Veko nádrže s čistou vodou
17. Náhradná nádrž
18. Zadné koleso (25cm)
19. Upevňovacia poistka vodnej nádrže
20. Rýchlo-spojka nádrže hadice na čistú vodu
21. 25 litrová nádrž na čistú vodu
22. Smerové koleso (9cm)
23. Zátka odtoku vody
24. Zástrčka pre jednotku sacej hadice
25. Zástrčka vlnitej hadice
26. Vlnitá hadica
27. Prípojka vlnitej hadice na kovovú koncovku
28. Prípojka kovovej koncovky
29. Závitová prípojka spínača na zapnutie/vypnutie
30. Regulačný ventil
31. Kovová koncovka
32. PU hadica na vodu
33. PU klipy na uchytenie hadice na vodu
34. Tryska 110°
35. Transparentný trojuholníkový zošikmený diel
36. Posuvné tlačidlo pre odskrutkovanie

Pokyny

1. Naplňte nádrž na čistú vodu zodpovedajúcim množstvom čistej vody, alebo vodného roztoku s čistiacim prostriedkom (**Pozor:** Nesmie obsahovať žiadnu špinu a zrnka piesku). Vodný roztok použitý na naplnenie nádrže na čistú vodu musí byť 5 cm pod prívodom nádrže na čistú vodu, aby nedošlo k jeho rozliatiu, keď je stroj vprevádzke. Pevne uzavrite veko nádrže na čistú vodu.
2. Nasadíte saciu hlavicu na 75-litrovú nádrž odpadovej vody, a dobre ju upevnite (Pozor: pre jednoduché použitie by mal ovládací panel vysávačovej hlavice odpovedať smeru sacej sady nádrže na odpadovú vodu).
3. Podľa schémy F2 dobre pripojte i kovové koleno, upevnite trojuholníkovú súčasť a nastavte na zodpovedajúci smer prevádzky. Dobre upevnite klipy pre zachytenie PU hadice a pripevnite ovládač pre zapnutie/vypnutie ovládania na koncovku rukoväte kovového kolena hadice. Šesťhranné matice dobre utiahnite. Vložte zástrčku kovovej koncovky kolena hadice do závitovej zásuvky na spínacom paneli pre zapnutie/vypnutie.
4. Vložte vlnitou hadici koncovky sacej hadice do koncovky sacej hadice, a vložte zástrčku hadice na vodu do zásuvky na výstupe čerpadla vysávačovej hlavice.
5. Vložte zástrčku na výstupe hadice nádrže na čistú vodu do zásuvky na prívode vody čerpadla vysávačovej hlavice. (Spôsob, ako vložiť a vytiahnuť zástrčky: Zatiačte na závitové posuvné tlačidlo, vložte zástrčku, potom uvoľnite posuvné tlačidlo, a to sa automaticky zablokuje. Ak chcete zástrčky odpojiť, stlačte závitové posuvné tlačidlo na zásuvke a vytiahnite zástrčku.)

6. Pre dokončenie pripojenia, ako je uvedené v schéme F3, pripojte napájanie, zapnite červený spínač sacieho čerpadla, a použite stroj na vysávanie:

Pozor: Ak na čistenie kobercov nie je potrebná voda, alebo ak je nádrž na čistú vodu prázdna, nezapínajte zelený spínač vodného čerpadla. V opačnom prípade bude funkcia vodného čerpadla zbytočná.

7. Pripojte napájanie, zapnite červený spínač sacieho čerpadla a zelený spínač vodného čerpadla, a rukou podržte regulačný ventil. Koberec je teraz pripravený na čistenie a na extrakciu vody a vlhkosti. (Tento stroj ma vysokú kapacitu vysávania a miera dehydratácie je asi 90%). Po čistení môže byť koberec vysušený vzduchom.

Dva červené spínače pre zapnutie/vypnutie "MOTOR 1" a "MOTOR 2" na panely vysávačovej hlavice podľa schémy F5 slúžia ako regulačné spínače na zapnutie/vypnutie sacieho motora pre sací podtlak. Zelený spínač pre zapnutie/vypnutie "PUMP" je regulačný spínač vodného čerpadla.

Tento stroj môže čistiť koberce akejkoľvek kvality, ako je čistá vlna, syntetické vlákna, nylón, rastlinné vlákna, tkané vlnené prikrývky a vlnené deky s dlhým a krátkym vlasom. Môže zmäkčiť vlákna kobercov, obnoviť nadýchanosť kobercov a predĺžiť životnosť trených a vyčistených kobercov.

Tento stroj používa sieťku z nerezovej ocele chránenú penou tak, že sa počas prevádzky do hlavice nedostane žiadna pena. Ak sa vytvorí nadmerné množstvo peny, odporúča sa pridať prostriedok na rozpúšťanie peny.

Pozor: Pri čistení kobercov nepoužívajte vodu s vysokou teplotou. Lepšie výsledky dosiahnete použitím vlažnej vody, a to najmä v relatívne chladných oblastiach. Nikdy nepoužívajte vodu s teplotou vyššou ako 40°C.

Keď bude nádrž úplne naplnená vodou, plavákový ventil zablokuje prívod vzduchu hlavice. Vtedy stroj nemusí nasávať vodu normálnym spôsobom, a voda uvoľnená z trysky sa nemusí nasať cez priehľadný trojuholníkový diel.

Hluk môže náhle zosilnieť. V takom prípade vypnite napájanie, presuňte prístroj k miestu pre vypúšťanie vody, otvorte odtokovú hadicu na vyprázdnenie nádrže špinavej vody.

Po dokončení sa uistite, že v nádrži odpadovej vody nezostala žiadna špinavá voda. Nepoužitú vodu v nádrži s čistou vodou by ste mali vypustiť cez vývod na jednotke. Na čistenie vonkajších častí stroja použite suchú handru, a vráťte napájací kábel na úchyt rukoväti hlavice.

Podmienky záruky

Ak je akýkoľvek výrobok spoločnosti Viper používaný po dobu pol roka (od dátumu nákupu uvedeného na faktúre), a ak je zistená porucha vplyvom iného ako nesprávneho zaobchádzania zo strany používateľa, a ak ju naša spoločnosť uzná za oprávnený nárok, bude stroj opravený zadarmo alebo budú jeho časti vymenené (s výnimkou citlivých častí). Nasledujúce podmienky však nie sú pokryté zárukou:

1. Poškodenie výrobku spôsobené nesprávnym použitím;
2. Svojoľne prevedené úpravy alebo zmeny na stroj a z nich plynúce škody;
3. Závady spôsobené nesprávnym používaním a/alebo úpravami vzhľadu stroja

Pre otázky ohľadom kvality alebo prevádzky produktu včas kontaktujte servisné oddelenie našej distribúcie a predajných centier.

Čistenie a údržba

Pozor: Pri čistení a údržbe sa uistite, že je napájací kábel vytiahnutý zo zásuvky.

1. Uistite sa, že napájací kábel nie je poškodený.
2. Po použití stroj vyčistite. Uistite sa, že odtoková nádrž neobsahuje špinavou vodu, nečistoty alebo prach. Všetku nevyužitú vodu v nádrži na čistú vodu vypustite.
3. Po ukončení vysávania je potrebné vyčistiť prachový filter.
4. Pre zabezpečenie dobrého tlaku vody v čerpadle je treba pravidelne vybrať filter pri vypusti a filter pri tryske a odstrániť nečistoty, ktoré by mohli filtre upchať.
5. Sitko z nerezovej ocele chránené penou by ste mali pravidelne čistiť od chumáčov vlny, aby nedošlo k obmedzeniu sania.
6. Po vyčistení je treba prachový sáčok a prachový filter nechať úplne vysušiť, aby sa mohli znovu použiť.
7. Motorový uhlíkový kartáč je treba pri jeho poškodení vplyvom nadmerného používania vymeniť.
8. Uistite sa, že používané napätie sa zhoduje s napätím vyznačeným na štítku stroja.
9. Ak je napájací kábel poškodený, je treba kontaktovať popredajný servis ohľadne jeho náhrady, aby nedošlo k ujme na zdraví.

Varovanie

Pri práci s elektrickým prístrojom musia byť za každých okolností dodržané bezpečnostné pravidlá. Za účelom zabezpečenia bezpečnej prevádzky stroja, je nutné aby ste dodržiavali pokyny pre pravidelné čistenie a údržbu.

Naša spoločnosť nenesie žiadnu zodpovednosť za akékoľvek nehody spôsobené nedostatkom starostlivosti a údržby alebo nevhodnou výmenou poškodených dielov.

- V tomto stroji nesmú byť použité nasledujúce látky:

Zdraviu škodlivé prachové látky, horúce materiály (napr.: tlejúce cigarety, horúci popol), horľavé kvapaliny (benzín, rozpúšťadlá, kyseliny a luhy), horľavé prachy (napr.: horčíkový a hliníkový prach)

Napájací kábel

Ak externá zásuvka nezodpovedá zástrčke napájacieho kábla tohto stroja, odpojte konektor tohto stroja a nahradte ho primeranou náhradnou zástrčkou.

Vodiče vnútri napájacieho kábla sú označené podľa nasledujúcich pravidiel:

Modrý vodič ----- neutrálny vodič (Nulový vodič)

Hnedý vodič ----- fázový vodič (pod napätím)

Žlto-zelený vodič --- uzemňovací vodič

Modrý vodič spája svorku označenú "N", hnedý vodič a svorka "L" sa pripája k stroju; a vodič ochranného uzemnenia je označený "E".

Zmeny súčastí a príslušenstva sú vyhradené.

Schéma zapojenia obvodu

Schému zapojenia obvodov nájdete na "Obrázku 1" na strane 6.

Parametre špecifikácie produktu

Parametre špecifikácie nájdete v "Tabuľke 1".

CAR275 Špecifikácia (Tabuľka 1)

Napätie (V)	220~240
Frekvencia(Hz)	50/60
Výkon(W)	2000
Sanie (mm H ₂ O)	2005
Prietok vzduchu (l/min)	3115
Hluk (dBA)	78
Objem nádrže na odtok vody (L)	75
Objem nádrže na čistú vodu(L)	25
Pracovný rádius (m)	14m
Dĺžka napájacieho kábla(m)	10m

Dovozca pre SR: Nilfisk-Advance s.r.o., Bajčíkovej 1/A, 821 03 Bratislava, www.nilfisk.sk

Einführung:

Dieses Handbuch dient dazu, die Viper zu verstehen und den Betrieb der CAR275 zu beherrschen.

Dieses Handbuch sollte vor Gebrauch sorgfältig durchgelesen werden.

Bei diesem Gerät handelt es sich um einen gewerblichen Teppichreiniger.

Konstruktionsbeschreibung des Geräts

Teilediagramm der CAR275-Konstruktion siehe Diagramm "F1" auf Seite 3 sowie Diagramm "F2" auf Seite 4.

1. Gerätekopf-Griffhaken 2. Stromkabel 3. Gerätekopfbuchse des Wasserpumpen-Schnelleinlasses 4. Wassertankverschluss 5. Hinterer Verschlusshaken des Schmutzwassertanks 6. Tankgriff 7. Edelstahl-Schmutzwassertank 8. An-/Ausschalttafel 9. Gerätekopf-Buchse des Wasserpumpen-Schnellauslasses 10. Gerätekopf-Baugruppe 11. Edelstahl-Schaumschutznetz 12. Staubfilter 13. Saugschlauchbasis-Taste 14. Saugschlauchbasis 15. Schmutzwasserschlauch 16. Frischwasser-Tankdeckel 17. Ersatztank 18. Hinteres Rad (25 cm) 19. Wassertankverschluss 20. Schnellanschlusskomponente des Frischwassertankschlauchs 21. 25-Liter-Frischwassertankbasis 22. Richtungsrad (ca. 9 cm) 23. Wasserablaufdeckel 24. Anschlusskomponente für die Saugschlauchbasis 25. Stecker für den gerippten Schlauch am Ende des Saugschlauchs 26. Gerippter Schlauch 27. Stecker für den gerippten Schlauch am metallenen Ellbogenende 28. Schnellanschluss des metallenen Ellbogenendes 29. Schnellanschlussbuchse mit Gewinde für die An-/Ausschalttafel 30. Steuerventil 31. Metallenen Ellbogenkomponente 32. PU-Wasserschlauch 33. PU-Wasserschlauch-Halteklammern 34. 110°-Grad-Düse 35. Transparente, dreieckige Saugaufsatzkomponente (25 cm) 36. Gewinde-Schiebeknopf

Anleitung

1. Befüllen Sie den Frischwassertank mit einer angemessenen Menge Frischwasser oder einer wässrigen Lösung mit Reinigungsmitteln (Achtung: Es dürfen keine Schmutz- oder Sandpartikel vorhanden sein). Die wässrige Lösung, die für das Befüllen des Frischwassertanks verwendet wird, muss 5 cm unterhalb des Wassereinlasses des Frischwassertanks gehalten werden, damit während des Maschinenbetriebs nichts verschüttet wird. Drehen Sie den Deckel des Frischwassertanks fest.
2. Fixieren Sie den Gerätekopf auf dem 75-Liter-Schmutzwassertank und befestigen Sie ihn gut (Achtung: Zur leichteren Bedienung sollte die Bediensteuertafel des Gerätekopfs in Richtung der Absaugvorrichtung des Schmutzwassertanks zeigen.)
3. Schließen Sie die metallene Ellbogenkomponente, wie im Diagramm F2 dargestellt, gut an, fixieren Sie die dreieckige Baugruppe und richten Sie diese in korrekter Bedienrichtung aus. Die PU-Wasserschlauch-Haltklammern gut befestigen und die An-/Aussteuerung am Griffende des metallenen Ellbogenschlauchs anbringen. Die Sechskantmuttern gut anziehen. Den Schnellanschluss des metallenen Ellbogenschlauchendes in die Schnellanschlussbuchse der An-/Aussteuertafel mit Gewinde einführen.
4. Den gerippten Schlauch des Absaugschlauchendes in das Absaufschlauchende einführen und die Wasserschlauch-Steckerkomponente in die Schnellanschlussbuchse an den Auslass der Gerätekopf-Wasserpumpe anschließen.

- Die Steckerkomponente des Auslassschlauchs des Frischwassertanks in die Schnellanschlussbuchse des Wassereinlasses der Gerätekopf-Wasserpumpe einführen.

(So werden Schnellanschluss und Schnellanschlussbuchse eingeführt und herausgezogen: Den Gewinde-Schiebeknopf nach vorne drücken, den Stecker einführen, den Schiebeknopf nun loslassen und der Anschluss ist automatisch verriegelt. Für das Abtrennen auf den Gewinde-Schiebeknopf der Buchse drücken und den Stecker herausziehen.)

- Wenn alle Anschlüsse, wie im Diagramm F3, angebracht sind, die Stromversorgung anschließen, den roten Saugpumpenschalter einschalten und das Gerät zum absorbierenden Staubsaugen verwenden:

Achtung: Schalten Sie den grünen Wasserpumpenschalter nicht ein, wenn für die Teppichreinigung kein Wasser erforderlich ist, oder wenn der Frischwassertank leer ist. Ansonsten wird die Wasserpumpenfunktion unnötig verschwendet.

- Schließen Sie die Stromversorgung an, schalten Sie den roten Saugpumpenschalter sowie den grünen Wasserpumpenschalter ein und benutzen Sie Ihre Hand, um das Steuerventil festzuhalten. Nun kann der Teppich gereinigt sowie Wasser und Feuchtigkeit genutzt werden. (Dieses Gerät verfügt über eine hohe Saugkapazität und die Entfeuchtungsrate liegt bei ca. 90 %.) Nach der Reinigung wird der Teppich luftgetrocknet.

Die zwei roten An-/Ausschalter "MOTOR 1" und "MOTOR 2" auf der Gerätekopf-Steuertafel in Diagramm F5 sind die An-/Ausschalter für die Vakuumsaugwirkung des Vakuums-Absaugmotors. Der grüne "PUMP"-Schalter (An/Aus) ist der Steuerschalter der Wasserpumpe.

Dieses Gerät kann Teppiche von jeder Qualität reinigen, wie z. B. reine Wolle, Synthetikgewebe, Nylon, Pflanzenfasern, gewebte Wolldecken sowie lange und kurze Wolldecken. Es kann die Teppichfasern weicher machen, die Flauschigkeit des Teppichs erneuern und die Haltbarkeit von eingeschäumten und gereinigten Teppichen verlängern.

Dieses Gerät verfügt über ein Edelstahl-Schaumschutznetz, damit während des Betriebs kein Schaum in den Gerätekopf eindringen kann. Tritt übermäßig viel Schaum auf, wird der Zusatz eines Entschäumers empfohlen.

Achtung: Verwenden Sie zum Teppichreinigen kein Wasser mit hohen Temperaturen. Sie erzielen bessere Ergebnisse, wenn Sie lauwarmes Wasser verwenden, vor allem in kalten Regionen. Verwenden Sie keinesfalls Wasser mit einer Temperatur über 40 °C.

Hat sich das Gerät vollständig mit Wasser gefüllt, steigt der Schwimmer und blockiert den Lufteinlass des Gerätekopfs. Zu diesem Zeitpunkt kann das Gerät möglicherweise auf herkömmliche Weise kein Wasser einsaugen und das aus der Düse ausgestoßene Wasser kann eventuell nicht durch den transparenten dreieckigen Saugaufsatz eingesaugt werden. Der Geräuschpegel könnte sich plötzlich erhöhen. Schalten Sie in diesem Fall die Stromversorgung ab, bringen Sie das Gerät zu einer Ablassstelle und öffnen Sie zum Ablassen des darin befindlichen Schmutzwassers den Ablaufschlauch.

Vergewissern Sie sich nach dem Beenden, dass alles Schmutzwasser aus dem Schmutzwassertank vollständig abgelassen wurde. Das im Frischwassertank verbliebene unverbrauchte Frischwasser sollte durch den Auslass in der Basis abgelassen werden. Benutzen Sie zum Abtrocknen des Geräts ein trockenes Handtuch und legen Sie das Stromkabel wieder an den Griffhaken des Gerätekopfs.

Allgemeine Gewährleistungsbedingungen

Wenn ein Viper-Produkt innerhalb eines halben Jahres (ab Kaufbelegdatum) verwendet wurde und durch nicht-menschliches Einwirken defekt erfunden wird und sich dies durch unsere Firma als zutreffend erweist, wird das Gerät kostenlos repariert oder Teile werden ausgetauscht (ausgenommen Verschleißteile). Folgende Zustände werden durch die Gewährleistung allerdings nicht abgedeckt:

1. Produktschaden durch unsachgemäße Bedienung;
2. Selbst-Demontage oder am Gerät vorgenommene Veränderungen und selbst verursachte Schäden;
3. Selbst verursachte Schäden und/oder Entstellungen des Erscheinungsbildes des Geräts.

Wenden Sie sich bei Rückfragen über Qualität oder Betrieb des Produkts bitte rechtzeitig an unsere Kundendienst-Abteilung des Vertriebs- und Verkaufszentrums.

Pflege und Instandhaltung



Achtung: Stellen Sie für Pflege- und Instandhaltungsmaßnahmen sicher, dass der Stecker des Stromkabels aus der Steckdose gezogen wurde.

1. Vergewissern Sie sich, dass das Stromkabel intakt ist.
2. Reinigen Sie das Gerät nach Gebrauch. Stellen Sie sicher, dass der Schmutzwassertank frei von Schmutzwasser, Schmutz oder Staub ist. Lassen Sie unbenutztes Wasser vollständig aus dem Frischwassertank ab.
3. Nach dem Staubsaugen muss der Staubfilter kräftig ausgeschlagen werden.
4. Um einen einwandfreien Wasserdruck in der Pumpe zu gewährleisten ist es nötig, den Einlass- sowie den Düsenfilter regelmäßig herauszunehmen und von blockierenden Verunreinigungen zu befreien.
5. Das Edelstahl-Schaumschutznetz muss regelmäßig von Wollflusen befreit werden, um eine unvorteilhafte Beeinträchtigung der Saugwirkung zu vermeiden.
6. Nach der Reinigung von Staubbeutel und –Filter müssen diese vor dem erneuten Gebrauch vollständig getrocknet sein.
7. Die Motor-Kohlenbürste muss ausgetauscht werden, wenn sie durch Überbeanspruchung beschädigt wurde.
8. Vergewissern Sie sich, dass die verwendete Spannung mit der Spannung auf dem Gerätetypenschild kompatibel ist.
9. Wenn das Stromkabel beschädigt ist, muss zur Gefahrenvermeidung die Kundendienstabteilung zwecks Austausch kontaktiert werden.

Warnung

Wenn ein Elektrogerät verwendet wird, muss zu allen Zeiten auf die Sicherheit geachtet werden. Damit das Gerät sicher betrieben werden kann, sind regelmäßige Pflege und Instandhaltung notwendig.

Unsere Firma kann für Unfälle durch mangelnde Sicherheit aufgrund von mangelnder Pflege und

Instandhaltung oder durch den verspäteten Austausch defekter Teile nicht zur Verantwortung gezogen werden.

➤ Folgende Substanzen dürfen sich in diesem Gerät nicht befinden:

Gesundheitsschädliche Pulver, ätzende Substanzen (zum Beispiel: brennende Zigaretten, heiße Asche, brennbare Flüssigkeiten (Benzin, Lösungsmittel, Säure und alkalisch-korrosive Flüssigkeiten), brennbare Pulver (zum Beispiel: Magnesium- und Aluminiumpulver).

Stromkabel



Wenn der Stecker des Gerätestromkabels nicht in die externe Steckdose passt, den Stecker dieses Geräts abschneiden und einen geeigneten Stecker an dessen Stelle anbringen. Die Adern im Stromkabel sind in Übereinstimmung mit folgenden Regeln markiert:

Blaue Ader -----neutrale Ader (Nulldraht)

Brauner Ader -----leitende Ader

Gelbgrüne Ader -----Erdungsdraht

Die blaue Ader wird an die mit einem "N" markierte Klemme angeschlossen; die braune Ader und die "L"-Klemme werden an das Gerät angeschlossen; und der Erdungsdraht ist mit einem "E" versehen.

Teile und Zubehör können ohne Ankündigung geändert werden.

Stromanschlussdiagramm

Stromanschlussdiagramm siehe "Abbildung 1" auf Seite 6.

Spezifikationsparameter des Produkts

Spezifikationsparameter siehe "Blatt 1".

CAR275-Spezifikationsparameter (Blatt 1)

Spannung (V)	220~240
Frequenz (Hz)	50/60
Energie (W)	2000
Vakuum (mmH ₂ O)	2005
Luftstrom (L/Min)	3115
/Geräuschpegel (db)	78
Schmutzwassertankkapazität (L)	75
Frischwassertankkapazität (L)	25
Betriebsdurchmesser (m)	14 m
Stromkabellänge (m)	10 m

Inleiding:

Deze handleiding moet worden gebruikt voor het begrijpen van Viper en een beheersing van de werking en het gebruik van CAR275.

Deze handleiding moet grondig gelezen worden voor gebruik.

Dit apparaat is een commerciële tapijtreiniger.

Beschrijving van de constructie van het toestel

Voor de onderdelen diagram van CAR275, zie "F1" diagram op pagina 3 en "F2" Diagram op pagina 4.

1. Zendspoel hendel haak 2. Netsnoer 3. Zendspoel water inlaat van de pomp snel vrouwelijke connector 4. Watertank sluiting 5. Tap het water reservoir achterpoten sluiting haak 6. Tank hendel 7. Roestvrij staal daftap water tank 8. Aan/ uit-schakelaar paneel 9. Zendspoel waterpomp uitlaat snel vrouwelijke connector 10. Hoofdstuk montage 11. Roestvrij stalen schuim bescherming mesh 12. Stof filter 13. Zuigslang basis toets 14. Zuigslang basis 15. Afvoerslang 16. Schoon water tankdeksel 17. Reservetank 18. 10-inch achterwiel 19. Watertank sluiting 20. Schoon water tank slang snel mannelijk connector component 21. 25-liter schoon water tank basis 22. 3,5 "directionele wielen 23. Water drainage deksel 24. Mannelijke connector component voor de basis van de zuigslang 25. Aansluiting voor de ribbelslang aan de voet van de zuigslang 26. Ribbelslang 27. Aansluiting voor de ribbelslang van de metalen elleboog einde 28. Snel mannelijke connector van de metalen elleboog einde 29. Schroefdraad snel vrouwelijke connector van de aan/uit-schakelaar paneel 30. Controle klep 31. Metalen elleboog end component 32. PU waterslang 33. PU waterslang klemmen 34. 110° nozzle 35. 10 "transparante driehoekige rake onderdeel 36. Losschroeven schuif knop

Instructies

1. Vul de schoonwatertank met een aangepaste hoeveelheid schoon water of waterige oplossing met reinigingsmiddelen (Let op: geen vuil en zandkorrels aanwezig moeten zijn). De waterige oplossing te gebruiken om de schoonwatertank vullen moet worden bewaard bij 5 cm onder de water inlaat van de schoonwatertank, om morsen te voorkomen wanneer de machine in bedrijf is. Draai het deksel van de schoonwatertank strak.
2. Bevestig het kopstuk op de 75-liter drainwater tank, en zet goed (Let op: voor het gebruiksgemak, de werking bedieningspaneel van de helm moet de richting van de zuig-set van de afvoer watertank staan).
3. Verwijzend naar de F2 diagram, mede nnect goed de metalen elleboog component, f ix de driehoekige montage, en aan te passen aan de juiste richting van de exploitatie. Bevestig ook de PU waterslang klemmen, en bevestig de aan / uit knop op het handvat van de metalen elleboog slang. Bevestig ook de zeskantmoeren. Steek de snelle mannelijke connector van de me tal elleboog uiteinde van de slang aan op de schroefdraad ed snelle female connector van de aan / uit-schakelaar bediend worden.
4. Steek de ribbelslang van de zuigslang einde aan de zuigslang einde, en plaats de waterslang mannelijke connector component aan de snelle vrouwelijke connector van de uitlaat van de hoofddeksel waterpomp.
5. Steek de mannelijke connector component van de afvoerslang van de schoonwatertank in de snelle vrouwelijke connector van het water inlaat van de hoofddeksel waterpomp.

(De manier in te voegen en trek de snelle mannelijke en vrouwelijke connectoren: Duw de schroefdraad

schuiven knop, plaats de male connector, en laat vervolgens de schuifknop, en het wordt automatisch vergrendeld wanneer scheiding vereist is, de schroefdraad schuiven knop te drukken. van de vrouwelijke connector en trek de mannelijke connector.)

6. Bij het invullen van de aansluitingen zoals aangegeven in F3 Diagram, stekker in het stopcontact, tur n op de rode zuigpomp schakelaar, en gebruik dit apparaat voor absorberende stofzuigen:

Let op: Als er geen water nodig is voor tapijt reinigen of wanneer de schoonwatertank leeg is, mag niet aan het groene water pompschakelaar. Anders de werking van de pomp water wordt verspild.

7. Stekker in het stopcontact, zet de rode zuigpomp schakelaar en het groene water pomp schakelaar en gebruik de hand om de regelklep te houden. Het tapijt is nu klaar voor reiniging en voor het onttrekken van water en vocht. (Dit apparaat heeft een hoog vacuüm capaciteit en de uitdroging bedraagt ongeveer 90%). Na het reinigen, het tapijt kan de lucht gedroogd.

De twee rode aan / uit "MOTOR 1" en "MOTOR 2" schakelaars van de zendspoel paneel in F5 Diagram zijn de aan / uit-vacuüm-zuigmotor schakelaars voor de creatie van afzuiging. De groene aan / uit "PUMP"-schakelaar is de schakelaar van de waterpomp.

Dit apparaat mag tapijten van een kwaliteit, zoals zuivere wol, synthetics, nylon, plantaardige vezels, geweven wollen dekens, en lange en korte wollen dekens schoon te maken. Het kan de vezels van tapijten te verzachten, terugvorderen van de springerigheid van tapijten, en het verlengen van de leven van wreef en gereinigd tapijten.

Dit apparaat maakt gebruik van roestvrij staal met schuim beschermde mesh zodat er geen schuim de helm binnenkomt tijdens het gebruik. Wanneer schuim buitensporig is, is de toevoeging van een schuim-middel oplossen aanbevolen..

Let op: Gebruik geen water bij hoge temperaturen bij het schoonmaken van tapijten. Het resultaat zou beter zijn als lauw water wordt gebruikt, met name in relatief koude gebieden. Gebruik nooit water met een temperatuur hoger dan 40 ° C.

Wanneer deze volledig is gevuld met water, zal de vlotter stijgen tot de luchtinlaat van het hoofddekseel blokkeren. Op deze tijd kan de devische e niet slecht in water op de normale wijze en het water verwijderd uit het mondstuk kan niet worden aangezogen door de transparante driehoekige rake. Het geluid kan plotseling luider. In dat geval schakelt het vermogen, neemt het apparaat aan een stroomgebied, en open de afvoer water slang in de tank van de overtreding water in leeg te maken.

Wanneer voltooid, controleert u het vuile water in het drainwater tank volledig leeg. De overige niet-gebruikte water in de schoonwatertank moet draine d worden door de uitlaat aan de basis. Gebruik een droge doek om het lichaam van het apparaat te reinigen, en het netsnoer te vervangen op het handvat haak van de hoofddekseel.

Algemene voorwaarden van de garantie

Wanneer een Viper product wordt gebruikt binnen een half jaar (vanaf de datum van de aankoopfactuur) en indien gevonden defecte via niet-menselijke oorzaken en wanneer vastbesloten om waar te zijn door ons bedrijf, zal het apparaat worden gratis gerepareerd of de onderdelen zullen vervangen (behalve kwetsbare delen). De volgende voorwaarden zijn echter niet gedekt door de garantie:

1. Product schade veroorzaakt door onjuist gebruik;



2. Self-huichelachtigheid of wijzigingen aan het apparaat en door de mens gemaakt schadevergoeding;
3. Kunstmatige beschadiging en / of verstoringen gedaan om de vormgeving van het apparaat.

Voor onderzoek naar de kwaliteit of de W ERKING van het product, neem dan contact op met de service-afdeling van onze distributie en verkoop centra in de tijd.

Verzorging en onderhoud



Let op: Bij verzorging en onderhoud is gedaan, zorg ervoor dat de stekker van het netsnoer wordt uitgetrokken uit het stopcontact.

1. Zorg ervoor dat het netsnoer niet beschadigd is.
2. Reinig het apparaat na gebruik. Zorg ervoor dat de afvoer watertank vrij is van vuil water, vuil of stof. Aftappen volledig ongebruikte water in de schoonwatertank.
3. Na het stofzuigen, moet de stoffilter goed worden geslagen.
4. Om de waterdruk in de pomp te garanderen is goed, is het nodig om regelmatig neem het filter op de invoer punt voor het verwijderen van de blokkade en neem het filter aan het mondstuk gedeelte voor het verwijderen van de blokkade.
5. De roestvrij stalen schuim-bescherming mesh moeten regelmatig gereinigd van wollen pluusjes aan ongunstige effect op de zuigkracht te voorkomen.
6. Na het reinigen van de stofzak en het stoffilter, moeten ze volledig droog zijn wanneer hergebruikt.
7. De motor koolborstel moet worden vervangen wanneer beschadigd door overmatig gebruik.
8. Zorg ervoor dat de spanning in gebruik verenigbaar is met dat aangegeven op het etiket van het apparaat.
9. Als het netsnoer beschadigd is, moet de after-sales service afdeling gecontacteerd worden voor de vervanging, om gevaar te vermijden.

Waarschuwing

Veiligheid moet worden beschouwd te hebben wanneer een elektrisch apparaat wordt gebruikt. Om een veilige werking van de inrichting te waarborgen, is het noodzakelijk om het regelmatig onderhoud.

Ons bedrijf zal niet aansprakelijk worden gesteld voor eventuele veiligheidsincidenten veroorzaakt door een gebrek aan verzorging en onderhoud of door ontijdige vervanging van defecte onderdelen.

- De volgende stoffen mogen niet worden gebruikt in het apparaat:

Schadelijk poeder, aanbraden stoffen (bijvoorbeeld: brandende sigaret, hete as, brandbare vloeistoffen (benzine, oplosmiddelen, zuren en alkali corrosieve vloeistoffen), onvlambare poeder (bijvoorbeeld: magnesium en aluminium poeder)

Vermogen Snoer



Als de externe aansluiting niet overeenkomt met de stekker van het netsnoer van dit apparaat, snij de stekker van dit apparaat af en zet een passende plug voor in de plaats. De draden in het netsnoer zijn

geëtiketteerd in overeenstemming met de volgende voorschriften:

Blauwe draad ----- neutrale draad (Nul draad)

Bruine draad ----- stroomdraad

Geel-groene draad ----- aardleiding

De blauwe draad wordt verbonden met de pool die is gemarkeerd met een "N", de bruine draad en klem "L" wordt verbonden met het apparaat, en de aarde draad is gemarkeerd met een "E".

Onderdelen en accessoires worden gewijzigd zonder voorafgaande kennisgeving.

Circuit Aansluitschema

Voor circuit aansluitschema, zie "Figuur 1" op pagina 6.

Product Specificatie Parameters

Voor specificatie parameter, zie "Formulier 1" .

CAR275 Specificatie Parameter (Formulier 1)

Spanning(V)	220~240
Frequentie(Hz)	50/60
Vermogen(W)	2000
Vacuum(mmH ₂ O)	2005
(Luchtstroom (ltr/min)	3115
Geluid(dBA)	78
Aftap Water Tank Capaciteit(L)	75
Schoon Water Tank Capaciteit(L)	25
Bedienings Diameter(m)	14m
Vermogen Snoer Lengte (m)	10m

Uvod:

Ta priročnik se uporablja za razumevanje naprave Viper in obvladovanje ter uporabo CAR275.

Ta priročnik je potrebno pred uporabo temeljito prebrati.

Ta naprava je gospodarski čistilec preprog.

Opis sestave naprave

Za diagrame delov sestave naprave CAR275, se obrnite na "F1" diagram na strani 3 in "F2" diagram na strani 4.

1. Upravljalni zaklop krone 2. Napajalni kabel 3. Vhodni hitri ženski prikllop vodne črpalke krone 4. Zapenjalo vodnega rezervoarja 5. Zadnji zapenjalni zaklop odtočnega vodnega rezervoarja 6. Ročaj rezervoarja 7. Odtočni vodni rezervoar iz nerjavečega jekla 8. Vkllop / izkllop stikalo 9 Izhodni hitri ženski prikllop vodne črpalke krone 10. Kronska sklop 11. Mrežica iz nerjavečega jekla za zaščito pred peno 12. Filter za prah 13. Bazni gumb sesalne cevi 14. Baza sesalne cevi 15. Odtočna cev 16. Pokrov rezervoarja čiste vode 17. Rezervni rezervoar 18. 10-palčno zadnje kolo 19. Spenjalo rezervoarja 20. Moška hitra povezovalna komponenta cevi rezervoarja čiste vode 21. Osnovni 25-litrski rezervoar za čisto vodo 22. 3.5" smerno kolo 23. Pokrov za vodno drenažo 24. Moška povezovalna komponenta za osnovo sesalne cevi 25. Priključek za valovito cev na dnu sesalne cevi 26. Valovita cev 27. Priključek za valovito cev na koncu kovinskega komolca 28. Hitri moški konektor na koncu kovinskega komolca 29. Navojni hitri ženski konektor vkllop / izkllop preklopni plošči 30. Nadzorni ventil 31. Kovinska komponenta konca komolca 32. PU cev za vodo 33. Varovalne sponke PU cevi za vodo 34. 110° šoba 35. 10" pregledna trikotna nagibna komponenta 36. Odvijalni drseči gumb

Navodila

8. Napolnite rezervoar s čisto vodo s primerno količino čiste vode ali vodno raztopino s čistilnimi sredstvi (Pozor: Nobeni delci peska ali umazanije ne smejo biti prisotni). Vodna raztopina naj bo za uporabo rezervoarja čiste vode shranjena 5cm pod dotokom vode rezervoarja čiste vode, da ne pride do polivanja, ko naprava obratuje. Dobro zategnite pokrov rezervoarja čiste vode.
9. Pričvrstite krono na 75-litrski odtočni vodni rezervoar in dobro pričvrstite (Pozor: za lažjo uporabo naj delovna nadzorna plošča krone gleda proti sesalnemu delu odtočnega vodnega rezervoarja).
10. Glede na F2 diagram, dobro povežite kovinsko komolčno komponento, pričvrstite trikotni sklop in ga prilagodite primerni smeri delovanja. Dobro pričvrstite varnostne sponke PU vodne cevi in pritrdite vkllop / izkllop nadzor na konico ročaja kovinske komolčne cevi. Dobro pritrdite šesterokotne matice. Vstavite hitre moške konektorje konca kovinske komolčne cevi na navojni pritrdilni ženski konektor vkllop / izkllop preklopne plošče.
11. Vstavite vijugasto cev konca sesalne cevi na konec sesalne cevi in vstavite moško povezovalno komponento vodne cevi na pritrdilni ženski konektor izpusta krone vodne črpalke.
12. Vstavite moško povezovalno komponento izpustne cevi rezervoarja čiste vode, v trdni ženski konektor vodnega dotoka krone vodne črpalke.

(Način, kako vstaviti ali izvleči hitri moški in ženski konektor: Naprej potisnite navojni drseči gumb, vstavite moški konektor, nato popustiti drseči gumb, ki se bo samodejno zaklenil. Ko je potrebno ponovno popustiti,

pritisnite navojni drseči gumb ženskega konektorja in izvlecite moški konektor.)

13. Ko končate s priklopi, kot je prikazano na F3 diagramu, vklopite elektriko, prižgite rdeče stikalo sesalne črpalke in uporabljajte to napravo za absorpcijsko sesanje:

Pozor: Ko ni potrebna voda za čiščenje preprog ali ko je rezervoar čiste vode prazen, ne vklaplajte zelenega stikala vodne črpalke. Drugače funkcija vodne črpalke ne pride do izraza.

14. Priključite elektriko, vključite rdeče stikalo sesalne črpalke in zeleno nadzorno stikalo vodne črpalke in z roko držite nadzorni ventil. Preproga je zdaj pripravljena za čiščenje in za izčrpanje vode ter vlage. (Ta naprava ima visoko sesalno zmogljivost in dehidracijska stopnja je okoli 90%). Po čiščenju lahko preprogo posušite na zraku.

Dve rdeči vklop /izklop "MOTOR 1" in "MOTOR 2" stikali plošče na kroni na F5 diagramu, sta vklop / izklop stikali nadzora vakuumskega sesalnega motorja za ustvarjanje vakuumskega sesanja. Zeleno stikalo vklop /izklop "PUMP", je nadzorno stikalo vodne črpalke.

Ta naprava lahko čisti preproge vseh kakovosti, kot je čista volna, sintetika, najlon, rastlinska vlakna, zašite volnene odeje, dolge in kratke volnene odeje. Zmehča lahko vlakna na preprogah, obnovi prožnost preprog in podaljša življenje zdragnjenih in čiščenih preprog.

Ta naprava uporablja mrežico iz nerjavečega jekla, ki je odporna na peno, tako, da le-ta ne uide v krono med delovanjem. Ko se ustvari preveč pene, se priporoča dodajanje sredstva za raztapljanje pene.

Pozor: Pri čiščenju preprog ne uporabljajte vroče vode. Rezultat bo boljši, če uporabite mlačno vodo, posebej v dokaj hladnih območjih. Nikoli ne uporabljate vode, toplejše od 40 ° C.

K obo dovolj polna vode, se bo plovec dvignil dovolj visoko, da prepereči dovod zraka v krono. V tem primeru naprava lahko neha vleči vodo kot ponavadi in voda, ki je izločena iz šobe, lahko ni vsrkana skozi pregledne trikotne grablje. Naenkrat lahko naprava postane glasna. V tem primeru, izključite napajanje z elektriko, napravo odnesite do drenažnega mesta in odprite cev drenažne vode, da izpraznite rezervoar umazane vode, ki se nahaja v njem.

Ko končate, se prepričajte, da ste popolnoma izpraznili rezervoar drenažne vode. Preostanek neuporabljene vode v rezervoarju čiste vode se naj izprazni skozi odvod baze. Uporabite suho brisačo za brisanje ogrodja nparve in nadomestite električni kabel na upravljalnem ročaju krone.


Garancijski pogoji in določila

Katerikoli Viper izdelek, ki je rabljen manj kot pol leta (od dneva iz katerega je račun nakupa) in če se ugotovi okvarjenost zaradi nečloveških razlogov in kadar je to potrjeno s strani našega podjetja, bo naprava brezplačno popravljena, ali pa bodo deli zamenjani (razen ranljivih delov). Ob sledečih pogojih, garancija ne velja:

1. Poškodba izdelka, povzročena z neustrezno uporabo;
2. Samorazstavljanje ali spremembe na napravi ter človeške poškodbe;
3. Človeške poškodbe in/ali izkrivljanje izgledu naprave.

Za povpraševanje glede kakovosti ali delovanja izdelka, prosimo pravočasno kontaktirajte servisni oddelek naše distribucije in prodajne centre.

Nega in vzdrževanje

 **Pozor: Ob negi in vzdrževanju se prepričajte, da je električni kabel iztagnjen iz vtičnice.**

1. Prepričajte se, da je električni kabel nedotaknjen.
2. Po uporabi napravo očistite. Prepričajte se, da rezervoar drenažne vode ne vsebuje umazane vode, umazanije ali prahu. Popolnoma izpraznite neporabljeno vodo v rezervoarju čiste vode.
3. Po končanem sesanju, je potrebno prašni filter temeljito iztresti.
4. "Za zagotovitev dobrega vodnega pritiska v črpalki, je potrebno filter redno odstranjevati pri vhodni točki in pri šobi, da ne pride do blokad.
5. Mrežica iz nerjavečega jekla za zaščito pene, mora biti redno očiščena volnenih dlak, da se izognete neželenim učinkom sesanja.
6. Po čiščenju prašne posode in prašnega filtra, ju je potrebno popolnoma posušiti, preden se ponovno uporabita.
7. Motorna karbonska ščetka mora biti zamenjana, ko se poškoduje ali prevečkrat uporabi.
8. Prepričajte se, da je uporabljena voltaža skladna s tisto, ki je označena na oznaki naprave.
9. Če je električni kabel poškodovan, je potrebno kontaktirati preprodajalca za zamenjavo, v izogib nevarnosti.

Opozorilo


Zmeraj je treba biti pozoren na varnost, ko je v uporabi električna naprava. Za zagotovitev varnega delovanja naprave, jo je potrebno redno negovati in vzdrževati.

Naše podjetje ne bo odgovorno za kakršne koli varnostne incidente, ki bi jih povzročilo pomanjkanje nege in vzdrževanja ali nepravčasna zamenjava nedelujočih delov.

Naslednje snovi se v tej napravi ne smejo uporabljati:

Škodljivi prašek, žgoče snovi (na primer: prižgana cigareta, vroč pepel, vnetljive tekočine (bencin, razredčila, kisline in alkalne korozivne tekočine), vnetljiv prah (na primer: prah iz magnezija in aluminija)

Električni kabel

 Če se zunanja vtičnica ne ujema s priklopom električnega kabla te naprave, odrežite priklop te naprave in pritrdite primeren priklop namesto obstoječega. Žice znotraj električnega kabla so označene v skladu z naslednjimi predpisi:

Modra žica ----- nevtralna žica (Ničelna žica)

Rjava žica -----živa žica

Zeleno-rumena žica -----ozemljitev

Modra žica povezuje terminal, označen z "N"; rjava žica in terminal "L", se povezujeta z napravo; zemeljska žica pa je označena z "E".

Deli in pripomočki se lahko spremenijo brez predhodnega obvestila.

Diagram povezovalnega vezja

Za ogled diagram povezovalnega vezja, glejte "Slika 1" na strani 6.

Podrobnosti o izdelku

Za podrobnosti o izdelku glejte "Obrazec 1" na strani 6.

CAR275 Tehnični podatki Parametra (Tabela1)

Voltaža(V)	220~240
Frekvenca(Hz)	50/60
Moč(W)	2000
Sesanje(mmH ₂ O)	2005
Pretok zraka(ltr/min)	3115
Glasnost(dBA)	78
Zmogljivost odtočnega zbiralnika vode(L)	75
Zmogljivost zbiralnika vode za čisto vodo(L)	25
Premer delovanja(m)	14m
Dolžina električnega kabla(m)	10m

Introduktion:

Denne manual skal bruges til en forståelse af Viper og en beherskelse af driften og anvendelsen af CAR275.

Denne manual bør læses grundigt før brug.

Denne enhed er en kommerciel tæpperenser.

Beskrivelse af konstruktionen af enheden

For deldiagrammer af konstruktionen på CAR275, henvises der til "F1" Diagrammet på side 3 og "F2" Diagrammet på side 4.

1. Hovedstykke håndtag 2. Strømledning 3. Hovedstykke vandpumpe indgang hunstik 4. Vandtank 5. Udledningsvandtank krog 6. Tankhåndtag 7. Rustfri stål afløb vandtank 8. Tænd / sluk-knap-panel 9. medaljon vandpumpe stikkontakt hurtigt hunstik 10. medaljon samling 11. Rustfrit stål skum beskyttelse mesh 12. Støvfiler 13. Sugelange basis knap 14. Sugelange bund 15. Aftapning slange 16. rentvandstank låg 17. Spare tanken 18. 10-tommer hind hjul 19. vandtank befæstelser 20. rent vandtank slange hurtigt hanstik komponent 21. 25-liters klar vandtank bund 22. 3.5 "retningsbestemt hjul 23. vand dræning låg 24. Mand stik komponent til bunden af sugeslangen 25. stik til bølgepap slange i bunden af sugeslangen 26. bølgepap slange 27. stik til den bølgede slange af metallet albue enden 28. Fast hanstik af metallet albue enden 29. gevind hurtig hunstik af tænd / sluk-panel 30. Reguleringsventil 31. metal albue ende komponent 32. PU vandslange 33. PU vandslange fastgørelsesklemmerne 34. 110 ° dyse 35. 10 "transparent trekantede rake komponent 36. skrue glidende knap

Instruktioner

1. Fyld rentvandstanken med en passende mængde rent vand eller opløseligt lavtskummende løsning med rengøringsmidler (OBS: Ingen snavs og sandkorn skal være til stede). Den opløselige opløsning, der skal bruges til at fylde rentvandstanken skal holdes på 5 cm under vandindløbet af rentvandstanken, med henblik på at undgå at spilde, når maskinen er i drift. Drej låget på rentvandstanken stramt.
2. Fastgør medaljon på 75-liters afløb vandtank, og fastgør godt (OBS: til brugervenlighed, skal driften kontrolpanel medaljon står retningen af suge sæt af afløbet vandtank).
3. Med henvisning til F2 diagrammet, tilslut godt metal albue komponent, fastsætte den trekantede forsamling, og juster til den relevante retning drift. Fix godt PU vandslangen fastgørelsesklemmerne, og løse on / off styring til håndtaget ende af metal albue slange. Fix godt sekskantmøtrikkerne. Sæt hurtige hanstik af metallet albue slange ende til den gevind hurtig hunstik af tænd / sluk kontakt panel.
4. Sæt den fleksible slange af sugeslangen ende til sugeslangen ende, og indsæt vandslangen hanstik komponent til den hurtige hunstik af udløbet af medaljon vandpumpe.
5. Sæt hanstik komponent af afløbsslangen af rentvandstanken ind i den hurtige hunstik af vandet indløbet af medaljon vandpumpe.

(Den måde at indsætte og trække den hurtige mandlige og kvindelige stik: Skub fremad gevind glidende knappen, skal du indsætte den mandlige stik, slip derefter glidende knappen, og den er låst automatisk, når afbrydelse er nødvendig, skub gevindet af hunstikket og træk i hanstikket.)

6. Efter at have afsluttet tilslutningerne som vist i F3 Diagram, tilslut strømmen, tænde den røde sugemotor switch, og bruge denne enhed til at støvsuge snavs før rengøring:

Vigtigt: Når der ikke kræves vand til tæppe rengøring eller når rent vand tanken er tom, skal du ikke tænde for grønne vandpumpe switch. Ellers funktionen af vandpumpen vil være spildt.

7. Tilslut strømmen, tænde den røde sugemotor switch og den grønne vandpumpe kontrol skifte, og bruge hånden til at holde kontrol ventil. Gulvtæppet er nu klar til rengøring og til ekstraktion vand og fugt. (Denne enhed har et højt vakuum kapacitet og dehydrering ligger på omkring 90%). Efter rengøring kan tæppet blive lufttørret.

De to røde on / off "MOTOR 1" og "MOTOR 2" skifter i medaljon panel i F5 Diagram er de på / off vakuum suge kontakter til skabelsen af vakuum suges motorstyring. Den grønne on / off "PUMP" switch er kontrol kontakten med vandpumpe.

Denne enhed kan rense tæpper af enhver kvalitet, såsom ren uld, syntetiske, nylon, plantefibre, vævede uldne tæpper, og lange og korte uldne tæpper. Det kan blødgøre fibre i tæpper, inddrive bounciness af tæpper, og forlænge levetiden af gnides og rensede tæpper.

Enheden anvender stål skum beskyttet trådned af rustfrit så ingen skum ind i hovedstykket under drift. Når skummet er blevet for stor, anbefales tilføjelsen af en skum-opløsende middel eller et lavtskummende kemikalie.

OBS: Brug ikke vand ved høje temperaturer, ved rengøring af tæpper. Resultatet bliver bedre, hvis der anvendes lunkent vand, især i relativt kolde områder. Brug aldrig vand med en temperatur over 40 ° C.

Når den er helt fyldt med vand, vil flyderen stige og blokere luft-indtag på hovedstykket. På et sådant tidspunkt, kan enheden ikke suger vand på normal måde, og vandet udstødes fra dysen må ikke suges ind gennem den gennemsigtige trekantede rake. Støjen kan pludselig blive højere. I et sådant tilfælde, skal du slukke for strømmen, tage enheden til en dræning område, og åbn afløbet vandslange for at tømme tanken for modbydeligt vand inde.

Når det er gennemført, skal du sørge for det snavsede vand i afløbet vandtanken er fuldt drænet. Det resterende ubrugt vand i rentvandstanken skal tømmes gennem udløbet i bunden. Brug et tørt håndklæde til at rense kroppen af enheden, og udskift strømkablet på håndtaget krog af medaljon.

Vilkår og betingelser for garanti

Når et Viper-produkt anvendes inden for et halvt år (regnet fra købsfakturaen), og defekt findes der ikke har at gøre med slid, og når bestemt til at være sandt af vores virksomhed, vil enheden blive repareret gratis eller dele vil være udskiftes (undtagen sårbare dele). Følgende betingelser er imidlertid ikke omfattet af garantien:

1. Produkt skader forårsaget af forkert betjening;
2. Selv-hykleri eller ændringer til enheden og menneskeskabte skader;

3. Man-made skader og / eller forvridninger gjort til udseendet af indretningen.

Til undersøgelse af kvaliteten eller drift af produktet, skal du kontakte serviceafdelingen af vores distributions- og salgscentre i gang.

Pleje og vedligeholdelse



Vigtigt: Når pleje og vedligeholdelse foretages, skal du sørge for at netledningen trækkes ud fra stikkontakten.

1. Sørg for, at ledningen er intakt.
2. Rengør enheden efter brug. Sørg for, at afløbet vandbeholderen er fri for modbydeligt vand, snavs eller støv. Aftap helt ubrugt vand i rentvandstanken.
3. Efter støvsugning, skal støvfilteret blive slået med magt.
4. For at sikre vandtrykket i pumpen er godt, det er nødvendigt regelmæssigt at tage filteret ud ved import punkt for at fjerne blokeringen og tag filteret ved dysen del til at fjerne blokeringen.
5. stål skum-beskyttelse trådnnet af rustfrit bør regelmæssigt renses for uldne fluffs at undgå ugunstig effekt på sugning.
6. Efter rengøring af posen støv og støvfilteret, skal de være helt tørre, når genbruges.
7. Motoren kulbørster skal udskiftes, når beskadiget gennem over-brug.
8. Sørg for, at spændingen i anvendelse er forenelig med markeret på etiketten af enheden.
9. Hvis ledningen er beskadiget, skal den eftersalgsservice afdelingen kontaktes for udskiftning for at undgå fare.

Advarsel

Sikkerhed skal overvejes hele tiden, når et elektrisk apparat der anvendes. For at sikre en sikker drift af apparatet, er det nødvendigt at give det regelmæssig pleje og vedligeholdelse.

Vores virksomhed vil ikke holdes ansvarlig for eventuelle sikkerhedsmæssige ulykker forårsaget af mangel på pleje og vedligeholdelse eller ved utidig udskiftning af defekte dele.

Følgende stoffer må ikke anvendes i denne enhed:

Skadeligt pulver, sviende stoffer (for eksempel: brændende cigaret, varm aske, brandfarlige væsker (benzin, opløsningsmidler, syre og alkali ætsende væsker), brændbart pulver (for eksempel: magnesium og aluminium pulver)

Strømledning



Hvis den eksterne sokkel ikke passer til stikket på netledningen fra denne enhed, afbrød stikket på denne enhed og fastsæt en passende prop i dets sted. Ledningerne inde i ledningen er mærket i overensstemmelse med følgende regler:

Blå ledning.....neutral ledning (Nul-ledning)

Brun ledninglive ledning

Gul-grøn ledningjordet ledning

Den blå ledning forbinder med terminalen er markeret med "N"; den brune ledning og terminal "L" i forbindelse med indretningen; og jordledningen er markeret med "E"

Dele og tilbehør ændres uden varsel.

Ledningsføringsdiagram

For et ledningsføringsdiagram henvises der til "Figur 1" på side 6.

Produktspecifikation Parameter

For specifikationsparameter, henvises der til "Form 1".

CAR275 Specifikationsparameter (Formi)

Spænding (V)	220~240
Frekvens (Hz)	50/60
Effekt (W)	2000
Sugestyrke (mmH ₂ O)	2005
Luftgennemstrømning (ltr/min)	3115
Støj (dBA)	78
Udledningsvandtank kapacitet (L)	75
Renvandstank kapacitet (L)	25
Driftsdiameter (m)	14 m
Længde på ledning (m)	10 m

Inledning:

Denna handbok bör användas för att förstå Viper och behärska drift och användning av CAR275.

Denna bruksanvisning bör läsas noggrant före användning.

Denna enhet är en kommersiell mattrengörare.

Beskrivning av enhetens konstruktion.

För deldiagram för strukturen av CAR275, se diagram "F1" på sidan 3 och diagram "F2" på sidan 4.

1. Maskinhuvudets handkrok 2. Strömsladd 3. Maskinhuvudets vattenpumpinlopp honkontakt 4. Fäste för vattenbehållare 5. Fästkrok för tömningsbehållare 6. Vattenbehållarhandtag 7. Tömningsbehållare i rostfritt stål 8. På/av-strömpanel 9. Maskinhuvudets vattenpumputlopp honkontakt 10. Maskinhuvud 11. Skydd i rostfritt stål 12. Dammfilter 13. Slangens basknapp 14. Slangens bas 15. Tömnings slang 16. Lock för vattenbehållare 17. Reservbehållare 18. 10-tums bakre hjul 19. Fäste för vattenbehållare 20. Slang för vattentank hankontakt komponent 21. 25-liters vattenbehållare bas 22. 3,5-tums riktade hjul 23. Lock för vattentömning 24. Hankontakt komponent för bas av sugslang 25. Kontakt för korrugerad slang vid bas av sugslang 26. Korrugerad slang 27. Kontakt för korrugerad slang av metall för vinkelrör 28. Hankontakt av metall för vinkelrör 29. Gängad honkontakt för på/av-strömpanel 30. Styrventil 31. Vinkelrörskomponent 32. PU-vattenslang 33. PU-vattenslanghållare 34. 110° munstycke 35. 10" genomskinlig triangulär skrapkomponent 36. Skruva loss skjutbar knapp

Instruktioner

2. Fyll vattenbehållaren med en lämplig mängd rent vatten eller rengöringsmedel med låg skumbildning (Obs: ingen smuts och sandkorn bör förekomma). Lösningen som används för att fylla på vattenbehållaren måste hållas på 5 cm under vatteninloppet för att undvika spill när maskinen är i drift. Stäng locket till vattenbehållaren.
3. Sätt fast maskinhuvudet på 75-liters tömningsbehållaren och fäst ordentligt (Obs: för enkel drift bör maskinhuvudets kontrollpanel vara vänd mot utloppet på tömningsbehållaren).
4. Se diagram F2, anslut vinkelröret ordentligt, sätt fast den triangulära anordningen och anpassa den till den lämpliga riktningen för drift. Sätt fast PU-vattenslangens hållare ordentligt och fäst på/av-kontrollen till handtaget i vinkelrörets ände. Skruva fast med sexkantsmuttrar. Sätt in hankontakten för vinkelröret i metall i den gängade hankontakten på på/av-panelen.
5. Sätt in den flexibla slangen i sugslangens ände och sätt in vattenslangens hankontakt till hankontakten på maskinhuvudets utlopp för vattenpumpen.
6. Sätt in hankontakten för utloppsslangen för vattentanken i hankontakten på maskinhuvudets inlopp för vattenpumpen.

(Hur man kopplar in och från hon- och hankontakterna: Tryck framåt den gängade skjutbara knappen sätt in hankontakten, släpp sedan den skjutbara knappen och den låses automatiskt. Vid fränkoppling, tryck på den gängade skjutbara knappen på hankontakten och dra ut hankontakten.)

7. Efter att ha genomfört anslutningarna som visas i diagram F3, slå på strömmen, slå på den röda motorknappen och använd enheten för att suga upp skräp före rengöring:

Obs: När inget vatten krävs för mattrengöring eller när vattenbehållaren är tom, slå inte på den grönt vattenknappen. Annars kommer vattenpumpens funktion vara bortkastad.

8. Slå på strömmen, slå på den röda motorknappen och den gröna kontrollknappen för vattenpumpen och använd handen för att hålla reglerventilen. Mattan är nu klar för rengöring och för att extrahera vatten och fukt. (Enheten har en hög vakuump- och torkningskapaciteten är cirka 90 %). Efter rengöring bör mattan lufttorkas.

De två röda på/av-knapparna "MOTOR-1" och "MOTOR-2" på maskinhuvudets panel i diagram F5 fungerar som på/av-knappar för att reglera vakuummotorn och skapa sugkraft. Den gröna på/av-knappen "PUMP" är kontrollknappen för vattenpumpen.

Denna enhet kan rengöra olika sorters mattor såsom ren ull, syntet, nylon, växtfibrer, vävda ullfiltar och långa och korta ullfiltar. Det kan mjuka upp fibrerna i mattor, få tillbaka mattans studsighet och förlänga livslängden för gnuggade och rengjorda mattor.

Enheten använder ett nät i rostfritt stål som skyddas av skum så att inget skum kan tränga in i maskinhuvudet under drift. När skumbildningen blir för hög, rekommenderas tillsättning av ett skumupplösande medel eller en lågskummande kemikalie.

Obs: Använd inte vatten med hög temperatur vid rengöring av mattor. Resultatet blir bättre om ljummet vatten används, särskilt i områden där det är ganska kallt. Använd aldrig vatten med en temperatur högre än 40 °C.

När den är helt fylld med vatten, kommer flottören att stiga för att blockera luftintaget för maskinhuvudet. När det händer kan enheten inte suga in vatten på ett normalt sätt och vattnet som kommer ut från munstycket kan inte sugas in genom den genomskinliga trekantiga skrapan. Bullernivån kan plötsligt öka. I så fall, slå av strömmen, ta enheten till ett dräneringsområde och öppna tömningsslangen för att tömma behållaren med smutsvattnet.

När klar, se till att det smutsiga vattnet i avloppet vattentanken töms helt. Det återstående vattnet som inte använts i vattenbehållaren bör tömmas genom utloppet vid basen. Använd en torr handduk för att rengöra enhetens ytterhölje och sätt tillbaka elkablarna på kroken på handtaget på maskinhuvudet.

Garantivillkor

När en Viper-produkt har använts under ett halvt år (från dagen på inköpsfakturan) och det finns fel som inte orsakats av människor, ett faktum som måste fastställas av vårt företag, kommer enheten att repareras utan kostnad eller delar att bytas ut (förutom utsatta delar). Följande villkor omfattas dock inte av garantin:

1. Produktskador orsakade av felaktig användning;
2. Otillåtna ändringar i enheten och skador som orsakats av människor;
3. Skador som orsakats av människor och/eller snedvridning av enheten.

För frågor om kvalitet och produktens funktion, kontakta vår kundtjänst som finns i våra distributions- och försäljningscentra.

Skötsel och underhåll



Obs: När vård och underhåll ska utföras, kontrollera att nätkabelns kontakt har dragits ut ur uttaget.

1. Kontrollera att nätsladden är intakt.
2. Rengör apparaten efter användning. Se till att tömningstanken inte innehåller illaluktande vatten, smuts eller damm. Töm helt oanvänt vatten i vattentanken.
3. Efter dammsugning måste dammfiltret skakas ur ordentligt.
4. För att säkerställa att vattentrycket i pumpen är tillräcklig är det nödvändigt att regelbundet ta ut filtret vid importpunkten för borttagning av blockering, och ta ut filtret vid munstycket för att ta bort blockeringen.
5. Nätet i rostfritt stål bör rengöras regelbundet för att undvika ogynnsamma effekter på sugkraften.
6. När dammpåsen och dammfiltret har rengjorts måste de vara helt torra innan de används igen.
7. Motorns kolborste måste bytas när den är utnött.
8. Kontrollera att nätspänningen överensstämmer med den på apparatens märkskylt.
9. Om nätsladden är skadad, kontakta kundtjänst för att byta ut den och undvika fara.

Varning

Säkerheten måste alltid beaktas när en elektrisk anordning används. För att säkerställa säker drift av enheten, är det nödvändigt att utföra regelbunden skötsel och underhåll.

Vårt företag kommer inte att hållas ansvarig för eventuella säkerhetsolyckor som orsakats på grund av bristande skötsel och underhåll eller olämpligt byte av defekta delar.

Följande ämnen får inte användas i den här enheten:

Skadligt pulver, brännande ämnen (till exempel: brinnande cigarett, het aska), eldfarliga vätskor (bensin, lösningsmedel, syra och alkaliska frätande vätskor), eldfarligt pulver (till exempel: magnesium och aluminiumpulver)

Nätsladd



Om nätuttaget inte matchar kontakten på enhetens nätsladd, skära av kontakten på enheten och sätt dit en lämplig kontakt i dess ställe. Vajrarna i nätsladden är märkta enligt följande förordningar:

Blå vajer.....neutral vajer (noll vajer)

Brun vajer.....live vajer

Gulgrön vajer.....jordvajer

Den blåa vajern ansluts till kontakten som är märkt med "N"; den bruna vajern till kontakten "L"; och jordvajern till kontakten "E"

Delar och tillbehör ändras utan föregående meddelande.

Kopplingsschema

För kopplingsschema, se "Figur 1" på sidan 6.

Produktens specifikationsparameter

För specifikationsparametrar, se "Form 1".

CAR275 Specifikationsparameter (Formi)

Spänning (V)	220 ~ 240
Frekvens (Hz)	50/60
Ström (W)	2000
Vakuüm (mmH ₂ O)	2005
Luftflöde (liter/min)	3115
Buller (dBA)	78
Tömningbehållarens kapacitet (L)	75
Vattenbehållarens kapacitet (L)	25
Driftdiameter (m)	14 m
Strömladdens längd (m)	10 m

Innledning:

Denne håndboken er utarbeidet som en forståelse av Viper og som en veiledning for bruk av CAR275.

Les nøye gjennom denne håndboken før bruk.

Dette apparatet er en kommersiell tepperenser.

Beskrivelse av de ulike delene på apparatet

For delediagrammer av oppbyggingen av CAR275, se tegning "F1" på side 3 og "F2" på side 4.

1. Topphåndtak 2. Strømledning 3. Hurtigkopling for vannpumpeinnløp 4. Vanntanklås 5. Festekrok for avløpsvanntank 6. Tankhåndtak 7. Avløpsvanntank i rustfritt stål 8. Bryterpanel 9. Hurtigkontakt for vannpumpeutløp 10. Topp 11. Skumfilter i rustfritt stål 12. Støvfilter 13. Utløserknapp for sugeslange 14. Slangekopling 15. Avløpsslange 16. Lokk for rentvannstank 17. Reservetank 18. 10" bakhjul 19. Vanntanklås 20. Hurtigkopling for slange for rentvannstank 21. Base for 25L rentvannstank 22. 3,5" dreibart hjul 23. Lokk for vannavløp 24. Hannkontakt for sugeslangekopling 25. Kopling på riflet slange for enden til sugeslangen 26. Riflet slange 27. Kopling på riflet slange for buet metallrør 28. Hurtigkopling på buet metallrør 29. Gjenget hurtigkopling for bryterpanel 30. Reguleringsventil 31. Endestykke for buet metallrør 32. PU vannslange 33. Klemmer på PU vannslange 34. 110° dyse 35. 10" transparent trekantet munnstykke 36. Skyveknapp

Bruksanvisning

9. Fyll vanntanken med ønsket mengde rent vann eller en lavtskummende løsning med rengjøringsmidler (Merk: Det må ikke være smuss eller sandkorn i tanken). Løsningen som fylles på rentvannstanken må være 5 cm under vanninnløpet til rentvannstanken, for å unngå at det søles ut når maskinen er i bruk. Sørg for å lukke lokket på rentvannstanken skikkelig.
10. Sett toppen på 75L avløpsvanntanken, og fest den godt (Merk: Som en regel skal betjeningspanelet på toppen vende mot sugedelen på avløpsvanntanken).
11. Koble til det buede metallrøret, sett på det trekantede munnstykket og juster slik at det vender i riktig retning (se tegning F2). Fest klemmene på vannslangen og sett på plass bryterpanelet på håndtaket på det buede metallrøret. Stram mutrene godt til. Sett hurtigkoplingen på det buede metallrøret inn i den gjengede koplingen på bryterpanelet.
12. Sett den fleksible slangen inn i sugeslangen, og sett vannslangekoplingen inn i koplingen på utløpet til vannpumpen.
13. Sett hannkoplingen på avløpsslangen fra rentvannstanken inn i hurtigkoplingen på vanninnløpet for vannpumpen. (Gjør følgende for å koble til/fra hurtigkoplingene: Skyv frem den gjengede skyveknappen, sett inn hurtigkoplingen (hann), slipp skyveknappen, og den låses automatisk. For å koble fra, skyv den gjengede skyveknappen på hurtigkoplingen (hunn) og trekk ut hannkontakten.)
14. Når alle delene er montert som vist i tegning F3, koble apparatet til strømledningen, slå på den røde bryteren, og bruk apparatet til å støvsuge opp eventuelt smuss før rengjøring:

Merk: Når det ikke kreves vann for tepperens eller når vanntanken er tom, må den grønne bryteren ikke slås på.

Pumpen vil i dette tilfellet ikke være i bruk.

15. Koble til strømledningen, slå på den røde bryteren for sugemotor og den grønne bryteren for pumpemotor, og hold reguleringsventilen med hånden. Teppet er nå klart for rensing, og det kan trekkes ut vann og fuktighet. (Dette apparatet har en høy sugekapasitet og opptørkingsytelsen er ca. 90%). Etter rensing kan teppet lufttørkes.

De to røde bryterne "MOTOR 1" og "MOTOR 2" på bryterpanelet i tegning F5 er av/på-brytere for sugemotorer for bruk av støvsuger. Den grønne bryteren "PUMP" er av/på bryter for vannpumpemotor.

Dette apparatet kan brukes til å rense tepper av hvilken som helst kvalitet, som tepper av rent ull, syntetisk materiale, nylon, plantefiber, vevde ulltepper og lange og korte ulltepper. Fibrene i et teppe kan mykes opp, gi det en ny frisk og apparatet kan bidra til å forlenge levetiden på børstede og rensede tepper.

Apparatet har et skumfilter i rustfritt stål, slik at det ikke kommer skum inn i toppen under bruk. Dersom det genereres for mye skum, anbefales det å tilsette et skumoppløsende middel eller et lavtskummende kjemikalie.

Merk: Ikke bruk vann ved høye temperaturer ved rensing av tepper. Resultatet blir ved bruk av lunkent vann, spesielt i kaldere deler av verden. Bruk aldri vann som er varmere enn 40 ° C.

Når tanken er helt fylt med vann, vil flottøren flyte opp for å blokkere luftinnløpet på toppen. På dette tidspunktet kan det være at apparatet ikke suger inn vann på vanlig måte, og vann som kommer ut av dysen kan kanskje ikke suges opp gjennom det trekantede munnstykket. Støyen fra apparatet kan plutselig bli høyere. Dersom dette skjer, slå av strømmen, flytt apparatet til en plass det kan tømmes, og åpne avløpsslangen for å tømme tanken for overskytende vann.

Etter dette må det skitne vannet i avløpsvanntanken tømmes helt. Det gjenværende ubrukte vannet i rentvannstanken tappes gjennom utløpet på basen. Bruk et tørt håndkle for å rengjøre apparatet utvendig, og legg strømledningen på håndtaket på toppen.

Garantibetingelser

Når et Viper-produkt brukes innen et halvt år fra dato på kjøpsbevis, og dersom det oppdages defekter som ikke stammer fra brukerfeil, og når dette av oss er vurdert som feil på apparatet, vil produktet bli reparert kostnadsfritt eller de berørte delene vil bli skiftet ut (unntatt sårbare deler). Følgende forhold dekkes imidlertid ikke av garantien:

1. Skader på produktet som følge av feil bruk
2. Demontering av eller endringer på produktet og skader som er påført av brukeren
3. Skader som er påført av brukeren og/eller endringer av utseendet på produktet.

For spørsmål om kvaliteten på eller bruken av produktet, ta kontakt med serviceavdelingen på våre distribusjons- og utsalgssteder.

Stell og vedlikehold



Merk: Når det skal gjøres vedlikehold på apparatet, må du sjekke at strømledningen er koblet fra.

1. Sjekk at strømledningen er intakt.
2. Rengjør apparatet etter hver bruk. Forsikre deg om at avløpsvanntanken er fri for skittent vann, smuss eller støv. Tøm ut ubrukt vann fra rentvannstanken.

3. Etter støvsuging må støvfilteret ristes.
4. For å sikre at vanntrykket i pumpen er tilstrekkelig, må støvfilteret ved innløpet og filteret ved dysen tas ut jevnlig for å fjerne eventuelle blokkeringer.
5. Skumfilteret i rustfritt stål bør regelmessig rengjøres for ulldotter for å unngå at sugeeffekten reduseres.
6. Etter rengjøring av støvposen og støvfilteret, må de tørkes helt før støvsugeren tas i bruk igjen.
7. Kullbørstene i motoren må skiftes dersom de blir skadet som følge av høy belastning.
8. Sjekk at nettspenningen samsvarer med spenningen som er oppført på etiketten på apparatet.
9. Hvis strømledningen er skadet, må du ta kontakt med et serviceverksted for å få den skiftet, for å unngå fare.

Advarsel

Ved bruk av elektriske apparater, må sikkerheten hele tiden vurderes. For å sikre en sikker drift av apparatet, er må det foretas regelmessig stell og vedlikehold.

Produsenten påtar seg intet ansvar for eventuelle ulykker som følge av manglende stell og vedlikehold, eller dersom defekte deler ikke skiftes i tide.

Følgende elementer må ikke suges opp med dette apparatet:

Farlig pulver, brennende elementer (f.eks. glødende sigaretter, varm aske, brannfarlige væsker (bensin, løsemidler, syre og alkaliske etsende væsker), antennelig pulver (f.eks. magnesium og aluminiumspulver)

Strømledning



Hvis stikkkontakten ikke passer til støpselet på strømledningen på dette apparatet, må støpselet på dette apparatet byttes ut med et støpselet som passer. Lederne i strømledningen har følgende fargekoder:

Blå leder.....nøytralleder

Brun ledning.....faseleder

Gul/grønn leder.....jord

Den blå lederen kobles til terminalen som er merket med "N", den brune lederen til terminalen som er merket med "L", og jord kobles til terminalen som er merket med "E"

Deler og tilbehør kan endres uten ytterligere varsel.

Koblingsskjema

For koblingsskjema, se "Figur 1" på side 6.

Produktspesifikasjoner

For spesifikasjoner, se "Tabell 1".

CAR275 Spesifikasjoner (Tabell 1)

Spenning (V)	220~240
Frekvens (Hz)	50/60
Effekt (W)	2000
Trykk (mmH ₂ O)	2005
Luftstrøm (ltr/min)	3115
Støy (dBA)	78
Kapasitet på avløpsvanntank (L)	75
Kapasitet på rentvannstank (L)	25
Bruksdiameter (m)	14 m
Lengde på strømledning (m)	10m

Esittely:

Esittelemme tässä manuaalissa Viperin sekä miten sitä ja CAR275 tulee käyttää.

Lue tämä manuaali huolellisesti ennen laitteen käyttöönottoa.

Tämä laite on kaupallinen mattopesuri.

Laitteen rakennekuvaus

CAR275 kokoonpanon eri osat on esitelty "F1" kaaviossa sivulla 3 ja "F2" kaavio sivulla 4.

1. Moottoriosan kahvankoukku 2. Virtajohto 3. Vesipumpun sisääntulon naarasliitin. 4. Vesitankin kiinnitys. 5. Poistovesitankin takaosan kiinnityskoukku. 6. Säiliön kahva 7. Poistovesisäiliö ruostumatonta terästä 8. On/off-kytkimen säätötaulu 9. Vesipumpun ulostulon naarasliitin 10. Moottoriosia 11. Vaahdon suojaverkko ruostumatonta terästä 12. Pölyfiltteri 13. Imuletkun kiinnityskohdan painike 14. Imuletkun kiinnityskohta 15. Poistoletku 16. Puhdasvesisäiliönkorkki 17. Varasäiliö 18. 10-tuumainen takapyörä 19. Vesisäiliönkiinnitys 20. Puhdasvesisäiliöletkun urosliittimen osa 21. 25-litran puhdasvesisäiliön telakka 22. 3.5-tuuman kääntyvä etupyörä 23. Vedenpoistokorkki 24. Urosliitin imuletkun kiinnitykseen 25. Haitariletkun kiinnitys imuletkun tyvessä 26. Haitariletku 27. Haitariletkun kiinnitys metalliputken päähän 28. Urosliitin metalliputken päähän 29. On / off-kytkimen säädön kierteitetty naarasliitin 30. Säätöventtiili 31. Metallivarrenpään osa 32. PU vesiletku 33. PU vesiletkun kiinnitysklipsit 34. 110° suulake 35. 10-tuuman läpinäkyvä kolmiosuulake 36. Avauksen liukupainike

Ohjeet

16. Täytä puhdasvesisäiliö riittävällä määrällä puhdasta vettä tai matalavaahtoista pesunestettä sisältävällä nesteellä (Huom: Ei saa sisältää likaa tai hiekkaa). Jos säiliöön laitetaan matalavaahtoista pesunestettä, nesteen pinnan tulee olla 5cm puhdasvesisäiliön sisääntulon alapuolella, jotta vältetään ylläikkymiseltä laitteen käytön aikana. Kiinnitä vesisäiliönkansi huolellisesti.
17. Kiinnitä laitteen moottoriosia 75-litran poistovesisäiliöön huolellisesti (Huom: jotta laitetta olisi helppo käyttää, aseta moottoriosia siten, että näyttöpaneeli on samaan suuntaan kuin poistovesisäiliön imusarja.
18. F2 kaaviossa: yhdistä metalliputki huolellisesti, kiinnitä komiosuulake ja säädä haluttuun käyttösuuntaan. Kiinnitä PU vesiletkun klipsit huolellisesti ja on/off-säätö metalliputken käsiosaan. Kiinnitä mutterit. Aseta metalliputken urosliittimen pää on/off-kytkimen kierteitettyyn naarasliittimeen.
19. Aseta imuletkun joustava pää imuletkuun ja aseta vesiletkun urosliittimen osa vesipumpun ulostulon naarasliittimeen laitteen yläosassa.
20. Aseta puhdasvesisäiliön ulostuloletkun urosliitin vesipumpun veden sisääntulon naarasliittimeen laitteen yläosassa. (Uros- ja naarasliittimien kiinnitys ja irrotus: Työnnä kierteitettyä liukupainiketta eteenpäin, aseta urosliitin, päästä irti liukupainikkeesta ja lukitus tapahtuu automaattisesti. Kun haluat irrottaa liittimen, työnnä naarasliittimen liukupainiketta ja vedä urosliitin irti.)

21. Kun olet yhdistänyt osat kaavio F3 mukaan, kytke virtalähteeseen, käännä punainen imumoottorinkytkin päälle ja imuroi kaikki roskat ennen pesun suorittamista:

Huomioitavaa: Kun matonpesuun ei käytetä vettä tai kun puhtasvesisäiliö on tyhjillään, älä käännä vihreää vesipumpunkytkintä päälle, sillä silloin vesipumppu toimii turhaan.

22. Kytke virta, käännä punainen imumoottorinkytkin ja vihreä vesipumpun käyttökytkin päälle ja pitele säätöventtiiliä käsin. Matto on nyt valmis puhdistusta sekä veden ja kosteuden poistoa varten. (Tällä laitteella on voimakas imukapasiteetti ja sen kuivatusaste on noin 90%). Puhdistuksen jälkeen maton voi kuivata perinteisellä tavalla.

Kaksi punaista on/off "MOOTTORI 1" ja "MOOTTORI 2"kytkintä laitteen moottoriosassa, jotka näkyvät F5 kaaviossa, ovat on/off – imumoottorin säätökytkimiä joilla säädetään laitteen imutehoa. Vihreä on/off "PUMPPU"- kytkimellä säädentään vesipumppua.

Tällä laitteella voidaan puhdistaa kaiken laatuaisia mattoja, kuten esim. villa, synteettisiä, nailon, kasvikuitumattoja ja kudottuja villapeittoja sekä pitkä- ja lyhytnukkaisia villapeittoja. Puhdistus saattaa pehmentää mattomateriaaleja, palauttaa mattojen kimmoisuuden ja ryhdin sekä pidentää hangattujen ja pestyjen mattojen kestoa.

Laite käyttää ruostumattomasta teräksestä valmistettua vaahdonsuojaverkkoa, jottei vaahtoa pääse laitteen moottoriosaan käytön aikana. Jos vaahtoa tulee liikaa, suosittelemme vaahtoa liuottavia sekä matalavaahtoisia aineita.

Huom: Älä käytä kuumaa vettä mattojen puhdistamiseen. Saat paremman tuloksen käyttämällä haaleaa vettä, erityisesti suhteellisen kylmissä olotiloissa. Älä koskaan käytä yli 40 ° C asteen vettä.

Jos laitteen säiliö on täytetty liian täyteen, nousee kelluke ja sulkee moottoriosan ilmanottoaukon, jolloin laite ei pysty imemään vettä normaalisti ja eikä suulakkeesta tulevaa vettä pystytäkään imemään läpinäkyvän kolmiosuulakkeen läpi. Laitteen ääni saattaa yhtäkkiä muuttua kovaksi. Siinä tapauksessa sammuta virta, avaa poistovesiletku ja tyhjennä likavesi säiliöstä.

Varmista, että kaikki likavesi on poistunut säiliöstä. Tyhjennä puhtasvesisäiliössä oleva vesi laitteen pohjassa olevan venttiilin kautta. Puhdista laite kuivalla pyyhkeellä ja aseta kahvan koukussa oleva virtajohto takaisin paikoilleen.

Takuuseen liittyvät ehdot

Jos 6kk sisällä ostopäivästä huomaat vian Viper tuotteessasi, joka ei ole aiheutunut sen väärinkäytöstä, (ostokuitin päivämäärästä) ja, kun yrityksemme toteaa asian todenperäisyyden, laite korjataan ilman veloitusta tai osat vaihdetaan (paitsi riskialttiit osat). Seuraavat ehdot eivät kuulu takuun piiriin:

1. Virheellisestä käytöstä johtuvat vauriot;
2. Jos laitetta on peukaloitu tai muunneltu;
3. Itse aiheutetut viat ja/tai ulkoiset vauriot.

Laitteen laatuun tai toimintaan liittyvät tiedustelut voit osoittaa jakelu- ja myyntikeskuksiemme huolto-osastolle.

Huolto ja ylläpito



Huomioitavaa: Ennen huoltotoimenpiteiden suorittamista, varmista että virtapistoke on irrotettu virtalähteestä.

1. Varmista että virtajohto on ehyt.
2. Puhdista laite käytön jälkeen. Varmista että poistovesisäiliö on tyhjä ja puhdas. Poista kaikki jäljellä oleva vesi puhdasvesisäiliöstä.
3. Tomuta pölyfilteri kunnolla imuroimisen jälkeen.
4. Jotta pumpun vedenpaine pysyy hyvänä, irrota ja puhdista tulokohdan filteristä sitä tukkivat aineet sekä suulakkeen filteri säännöllisesti.
5. Ruostumatonta terästä oleva vaahdonestoverkko tulee puhdistaa säännöllisesti kaikesta villa ym.nukasta, joka voi haitata laitteen imukykyä.
6. Pölypussin ja pölyfilterin puhdistamisen jälkeen niiden tulee olla täysin kuivia ennen uudelleen käyttöönottoa.
7. Moottorin hiiliharjat tulee vaihtaa, jos ne vaurioituvat liiallisesta käytöstä.
8. Varmista että käyttövoittimäärä on yhteensopiva laitteen etiketin merkintöjen kanssa.
9. Jos virtajohto on vaurioitunut, vaihdeta sen huoltoliikkeessä vahinkojen välttämiseksi.

Varoitus

Sähkölaitteiden käytössä on turvallisuudesta huolehdittava jatkuvasti. Laitteen turvallisen käytön varmistamiseksi, on se huollettava säännöllisesti.

Yrityksemme ei ota vastuuta vahingoista, jotka aiheutuvat laitteen puutteellisesta huollosta tai viallisten osien vaihtamisen laiminlyönnistä.

Seuraavia aineita ei saa käyttää laitteen kanssa:

Haitallisia jauheita, polttavia aineita (esimerkiksi: palava savuke, kuuma tuhka, syttyvät nesteet (bensiini, liuottimet, hapot ja emäksiset syövyttävät nesteet), syttyviä jauheita (esimerkiksi: magnesiumin ja alumiinin jauheet)

Virtajohto



Jollei töpseli ja seinäpistoke ole yhteensopivat, vaihdeta laitteeseen sopiva pistoke valtuutetussa huoltoliikkeessä tai sähköasentajalla.

Osia ja lisävarusteita voidaan vaihtaa ilman erillistä ilmoitusta.

Piirin kytkentäkaavio

Katso "Figure 1" piirin kytkentäkaavio sivulla 6.

Tuotteen tekniset tiedot

Katso "Form 1" tekniset tiedot.

CAR275 Teknisetiedot (Lomake 1)

Volttimäärä(V)	220~240
Taajuus(Hz)	50/60
Teho(W)	2000
Imuteho(mmH ₂ O)	2005
Ilmanvirtaus(ltr/min)	3115
Melutaso(dBA)	78
Poistovesisäiliön kapasiteetti (L)	75
Puhdasvesisäiliön kapasiteetti (L)	25
Käyttösäde(m)	14m
Virtajohdon pituus(m)	10m

Carried Standard: QB1562-1992

VIPER INDUSTRIAL PRODUCTS
P.O.BOX 104 HAMILTON, MI 49419
(866) 418-4737
(866) 41-VIPER

VIPER CLEANING EQUIPMENT CO.,LTD
LIANG BIAN, LIAO BU, DONG GUAN,
GUANG DONG, CHINA
TEL: (0769) 83283988
FAX: (0769) 83280104

