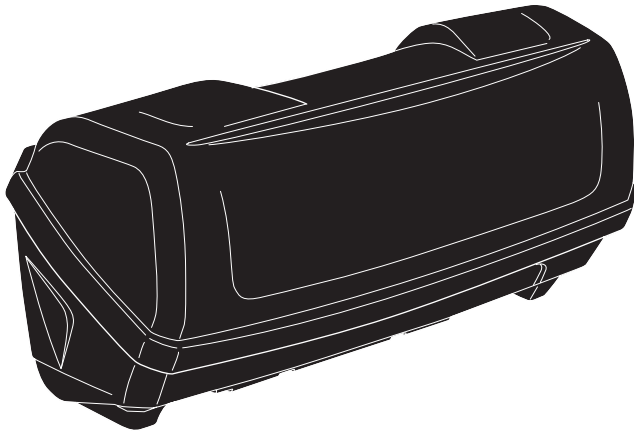


THULE[®]
SWEDEN

Thule BackUp 900

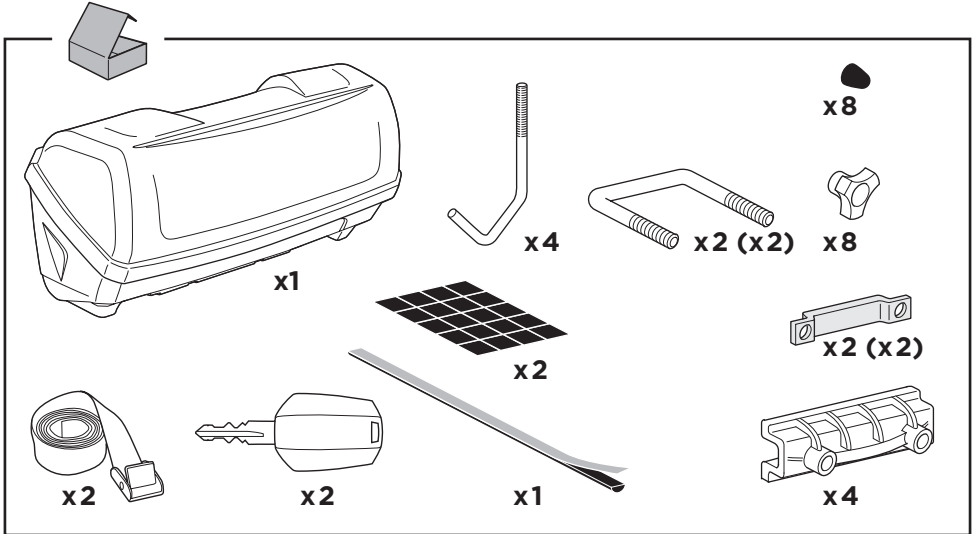
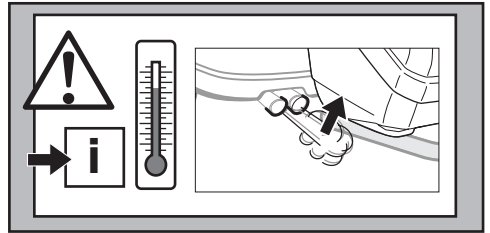
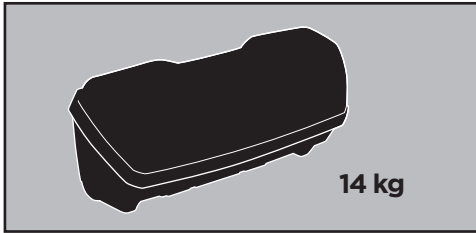
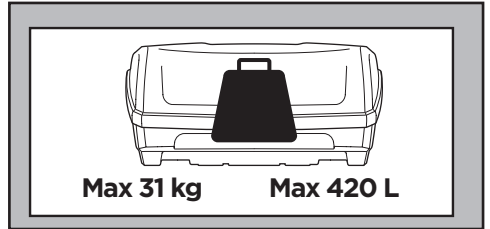
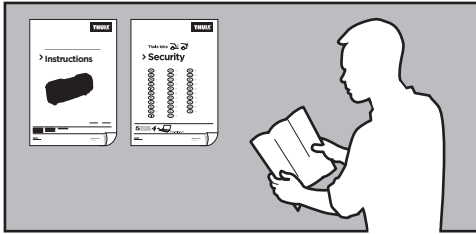
➤ Instructions



900000

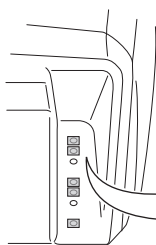
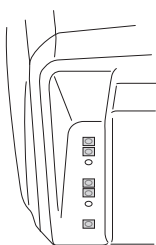
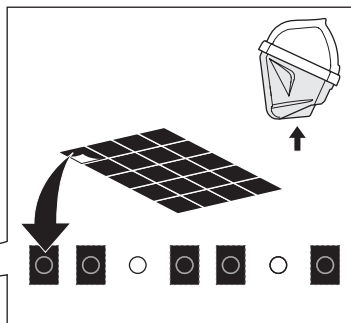
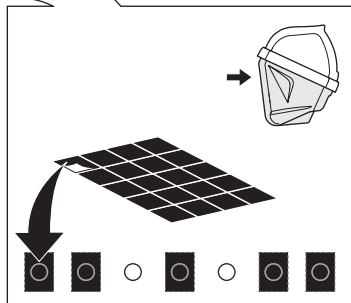
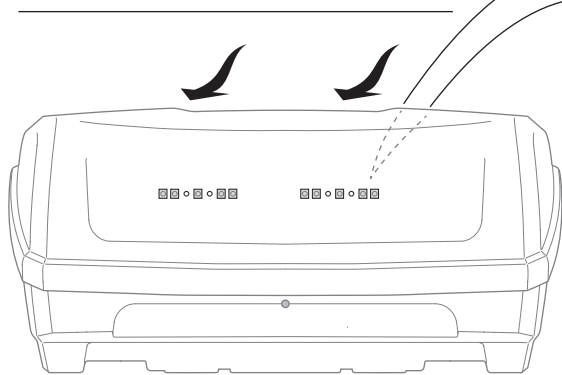
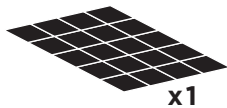
C.20160516
1801817703

Bring your life
thule.com

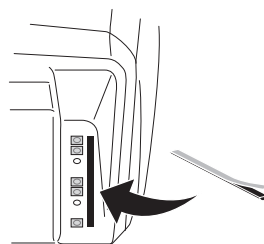
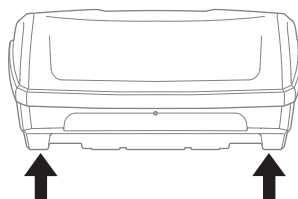


<p>Max ↓</p>			
40 kg	14,4 kg	14 kg	Max 11,6 kg
50 kg			Max 21,6 kg
>60 kg			Max 31 kg

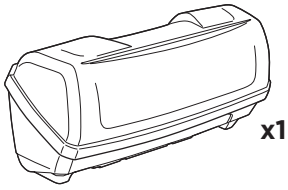
1



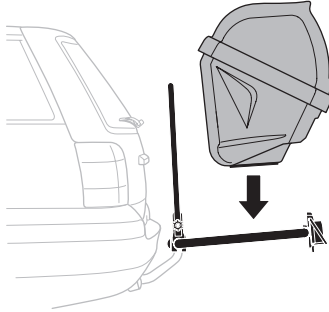
2



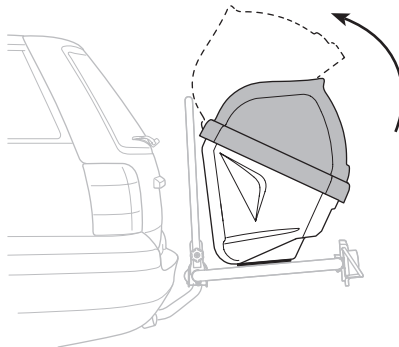
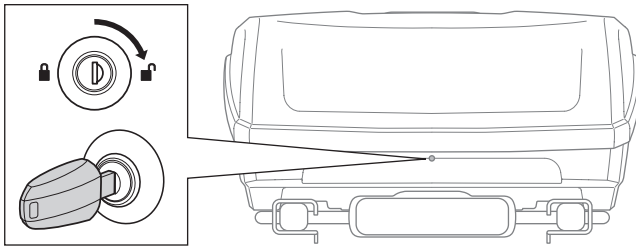
3



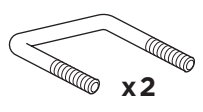
A



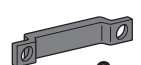
B



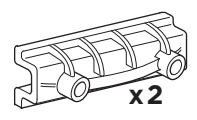
4



x2



x2



x2

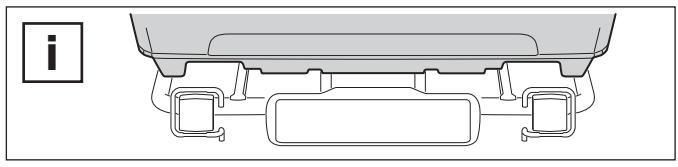
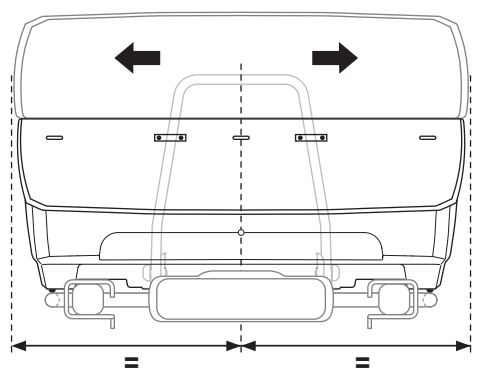


x4

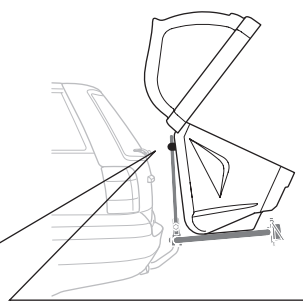
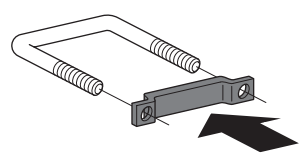


x4

A



B



2-2,5 Nm

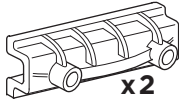
ok ✓

Not ok ✗

5



x4



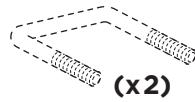
x2



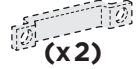
x4



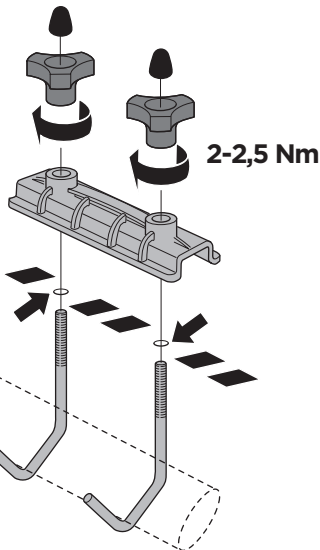
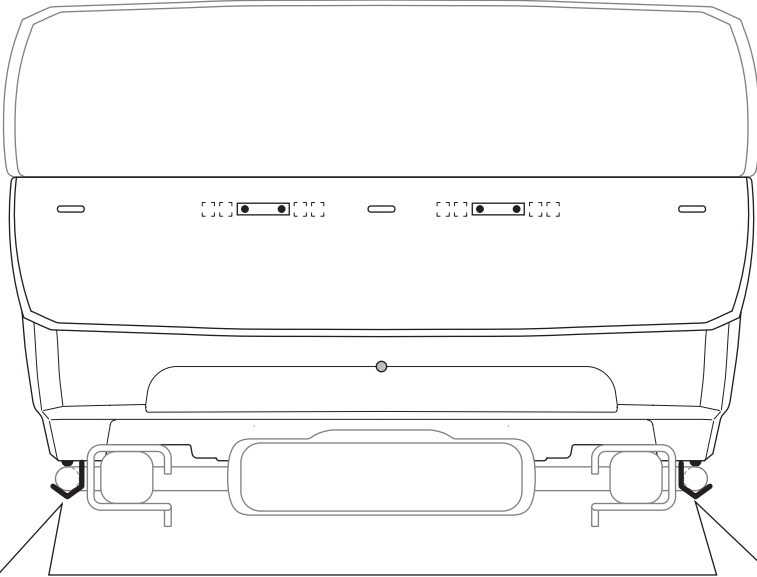
x4



(x2)



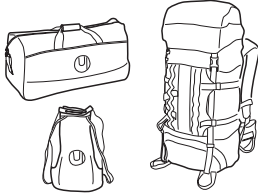
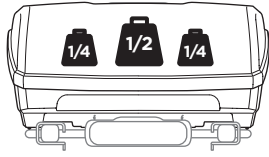
(x2)



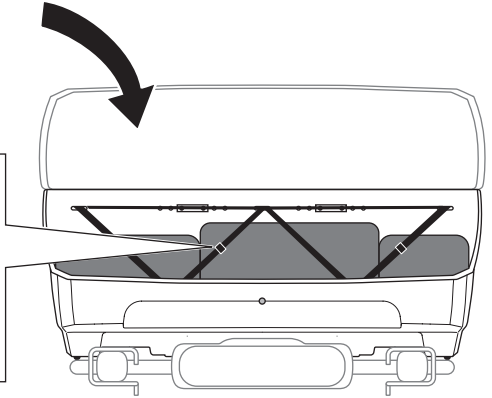
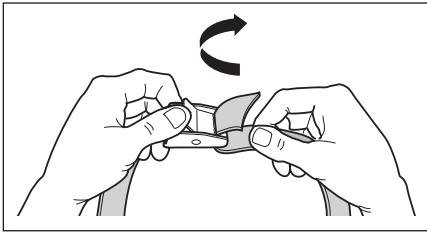
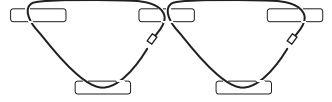
6



x2



i



i

