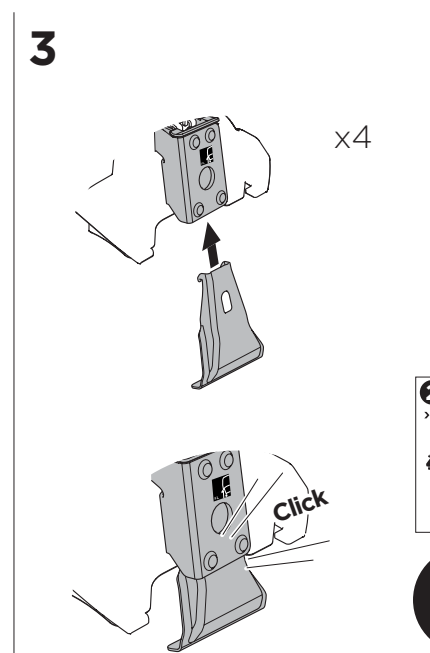
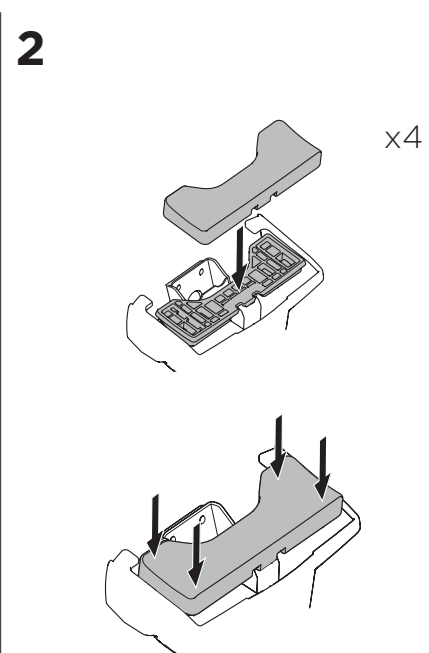
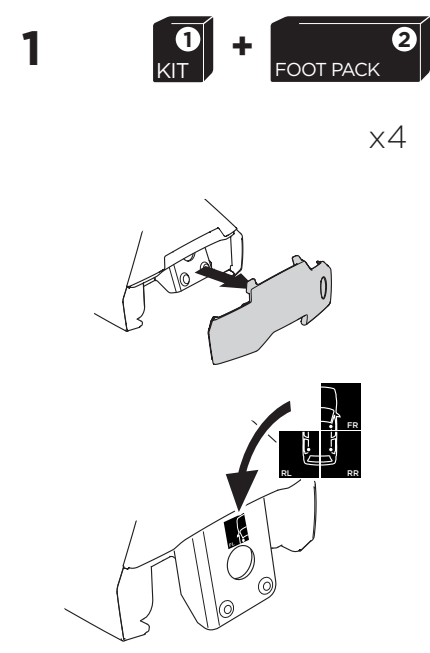
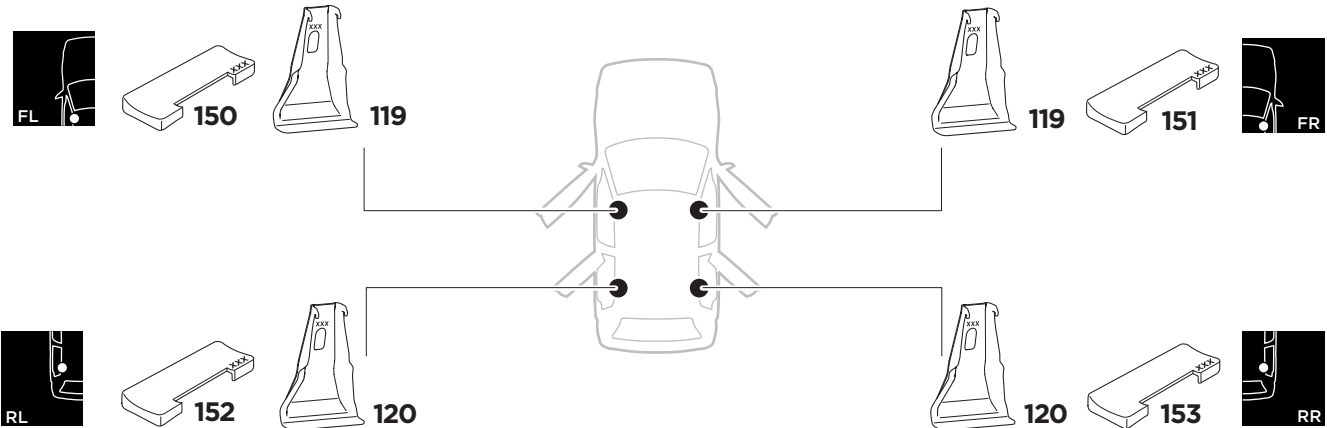
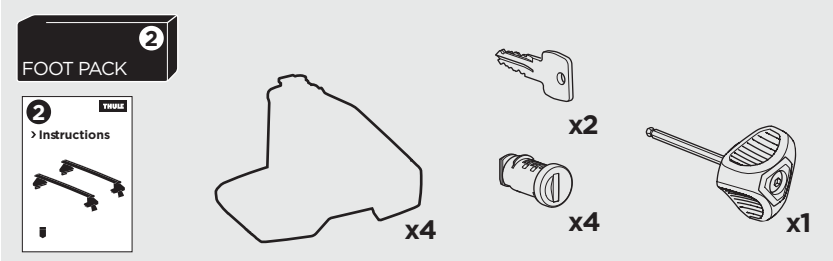
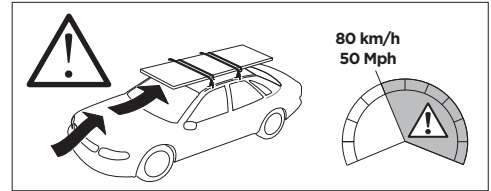
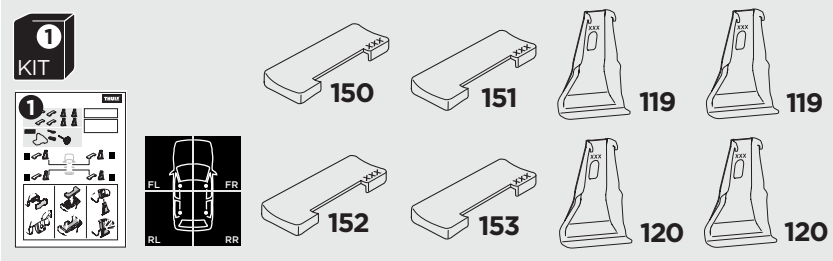


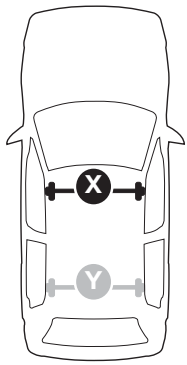
1

Kit 5039

VOLVO S90, 4-dr Sedan, 16-

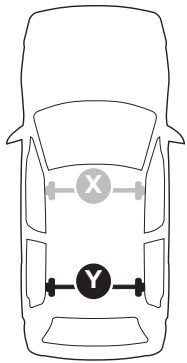
ISO 11154-E





THULE WingBar Evo	THULE WingBar Edge	THULE WingBar	THULE SquareBar	Evo X (scale)	Edge X (scale)
VOLVO S90, 4-dr Sedan, 16-				44.5	H

THULE ProBar	THULE SlideBar	X (mm/inch)		
VOLVO S90, 4-dr Sedan, 16-		1096 mm / 43 1/8"		



THULE WingBar Evo	THULE WingBar Edge	THULE WingBar	THULE SquareBar	Evo Y (scale)	Edge Y (scale)
VOLVO S90, 4-dr Sedan, 16-				42.5	L

THULE ProBar	THULE SlideBar	Y (mm/inch)		
VOLVO S90, 4-dr Sedan, 16-		1076 mm / 42 3/8"		

	W (mm/inch)	Z (mm/inch)
VOLVO S90, 4-dr Sedan, 16-	690 mm / 27 1/8"	285 mm / 11 1/4"

