

1

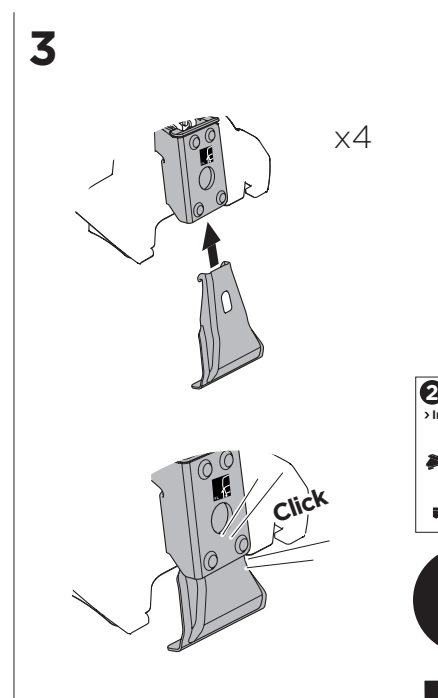
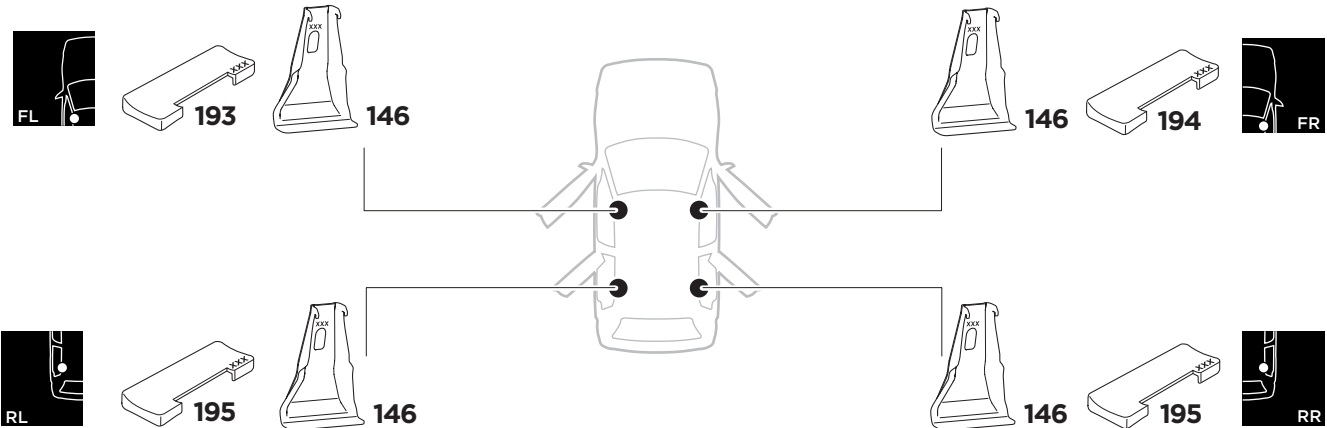
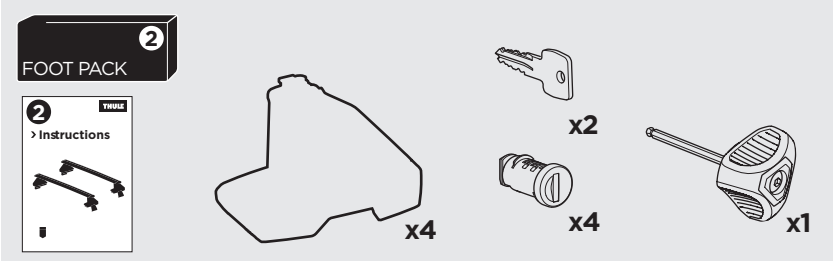
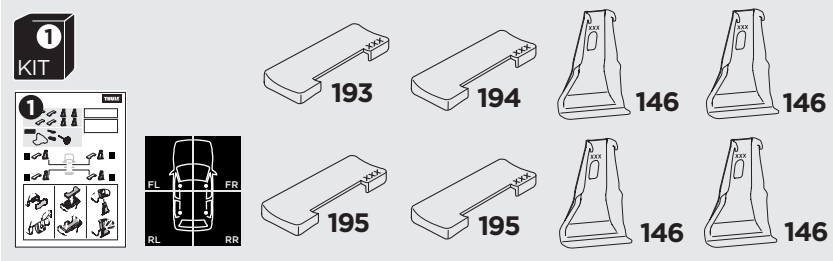
Kit 5078

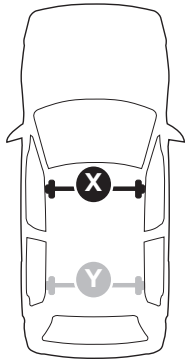
BUICK Regal Sportback, 5-dr Hatchback, *18-
HOLDEN Commodore, 5-dr Hatchback, 17-
OPEL Insignia Grand Sport, 5-dr Hatchback, 17-
VAUXHALL Insignia Grand Sport, 5-dr Hatchback, 17-

*North America



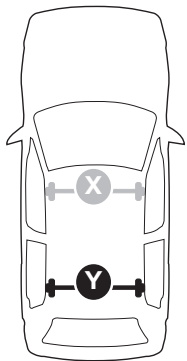
ISO 11154-E





THULE WingBar Evo	THULE WingBar Edge	THULE WingBar	THULE SquareBar	Evo X (scale)	Edge X (scale)
BUICK Regal Sportback, 5-dr Hatchback, *18-				46	E
HOLDEN Commodore, 5-dr Hatchback, 17-				46	E
OPEL Insignia Grand Sport, 5-dr Hatchback, 17-				46	E
VAUXHALL Insignia Grand Sport, 5-dr Hatchback, 17-				46	E

THULE ProBar	THULE SlideBar	X (mm/inch)
BUICK Regal Sportback, 5-dr Hatchback, *18-		1111 mm / 43 3/4"
HOLDEN Commodore, 5-dr Hatchback, 17-		1111 mm / 43 3/4"
OPEL Insignia Grand Sport, 5-dr Hatchback, 17-		1111 mm / 43 3/4"
VAUXHALL Insignia Grand Sport, 5-dr Hatchback, 17-		1111 mm / 43 3/4"



THULE WingBar Evo	THULE WingBar Edge	THULE WingBar	THULE SquareBar	Evo Y (scale)	Edge Y (scale)
BUICK Regal Sportback, 5-dr Hatchback, *18-				44	I
HOLDEN Commodore, 5-dr Hatchback, 17-				44	I
OPEL Insignia Grand Sport, 5-dr Hatchback, 17-				44	I
VAUXHALL Insignia Grand Sport, 5-dr Hatchback, 17-				44	I

THULE ProBar	THULE SlideBar	Y (mm/inch)
BUICK Regal Sportback, 5-dr Hatchback, *18-		1091 mm / 43 "
HOLDEN Commodore, 5-dr Hatchback, 17-		1091 mm / 43 "
OPEL Insignia Grand Sport, 5-dr Hatchback, 17-		1091 mm / 43 "
VAUXHALL Insignia Grand Sport, 5-dr Hatchback, 17-		1091 mm / 43 "

	W (mm/inch)	Z (mm/inch)
BUICK Regal Sportback, 5-dr Hatchback, *18-	730 mm / 28 3/4"	140 mm / 5 1/2"
HOLDEN Commodore, 5-dr Hatchback, 17-	730 mm / 28 3/4"	140 mm / 5 1/2"
OPEL Insignia Grand Sport, 5-dr Hatchback, 17-	730 mm / 28 3/4"	140 mm / 5 1/2"
VAUXHALL Insignia Grand Sport, 5-dr Hatchback, 17-	730 mm / 28 3/4"	140 mm / 5 1/2"

