

1

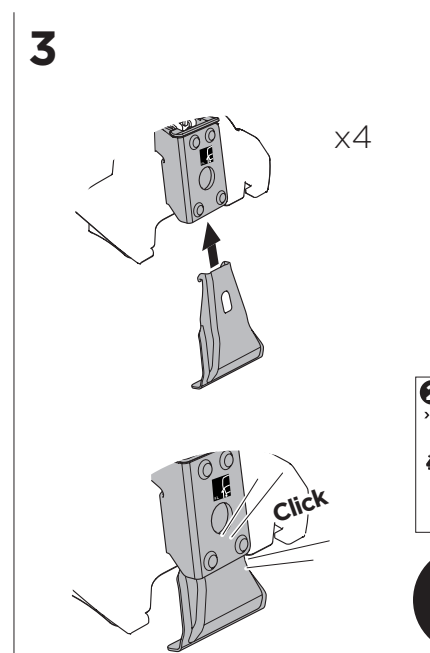
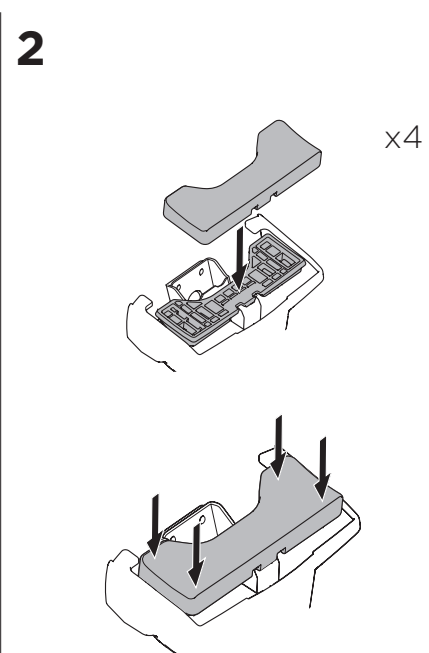
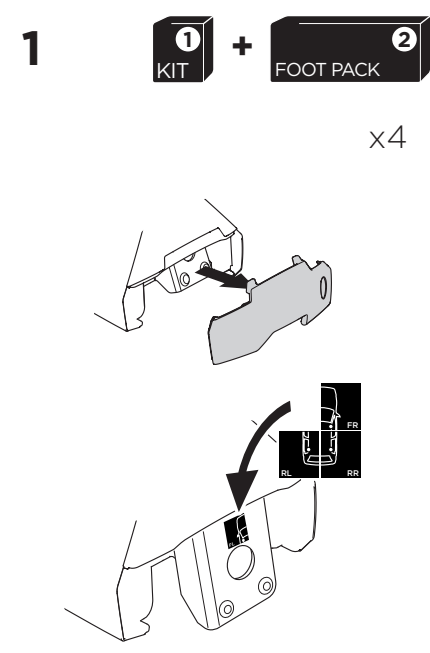
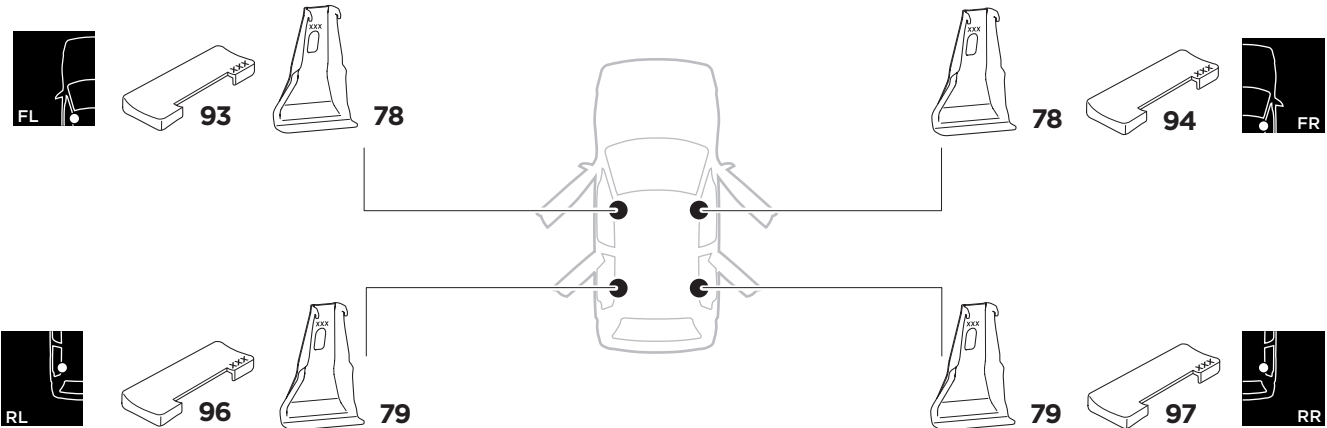
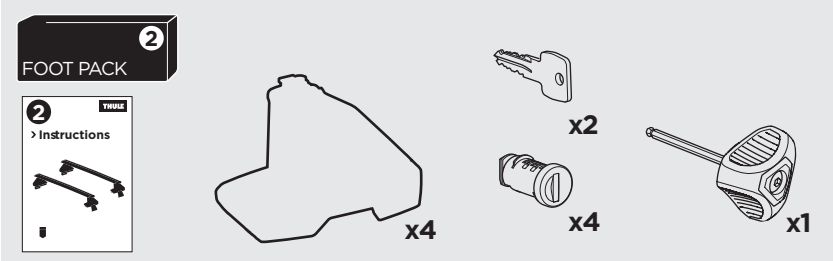
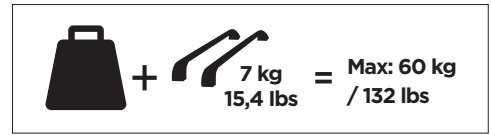
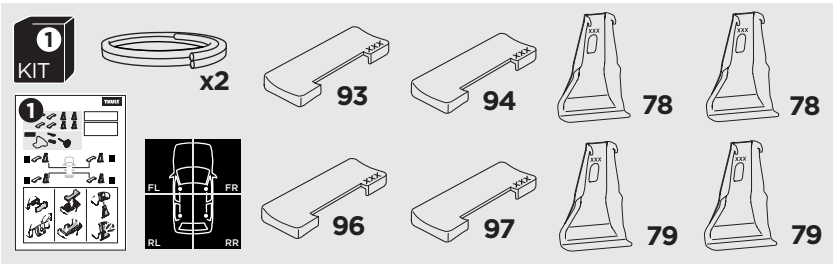
Kit 5016

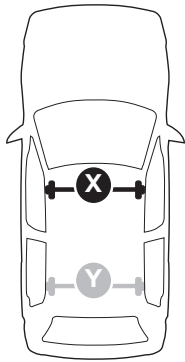
VOLKSWAGEN Jetta (Mk. VI), 4-dr Sedan, 10-18 / *11-18

*North America



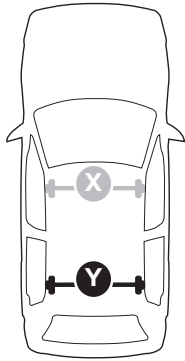
ISO 11154-E





THULE WingBar Evo	THULE WingBar Edge	THULE WingBar	THULE SquareBar	Evo X (scale)	Edge X (scale)
VOLKSWAGEN Jetta (Mk. VI), 4-dr Sedan, 10-18 / *11-18				38,5	B

THULE ProBar	THULE SlideBar	X (mm/inch)		
VOLKSWAGEN Jetta (Mk. VI), 4-dr Sedan, 10-18 / *11-18		1036 mm / 40 3/4"		



THULE WingBar Evo	THULE WingBar Edge	THULE WingBar	THULE SquareBar	Evo Y (scale)	Edge Y (scale)
VOLKSWAGEN Jetta (Mk. VI), 4-dr Sedan, 10-18 / *11-18				35,5	H

THULE ProBar	THULE SlideBar	Y (mm/inch)		
VOLKSWAGEN Jetta (Mk. VI), 4-dr Sedan, 10-18 / *11-18		1006 mm / 39 5/8"		

	W (mm/inch)	Z (mm/inch)
VOLKSWAGEN Jetta (Mk. VI), 4-dr Sedan, 10-18 / *11-18	795 mm / 31 1/4"	250 mm / 9 7/8"

