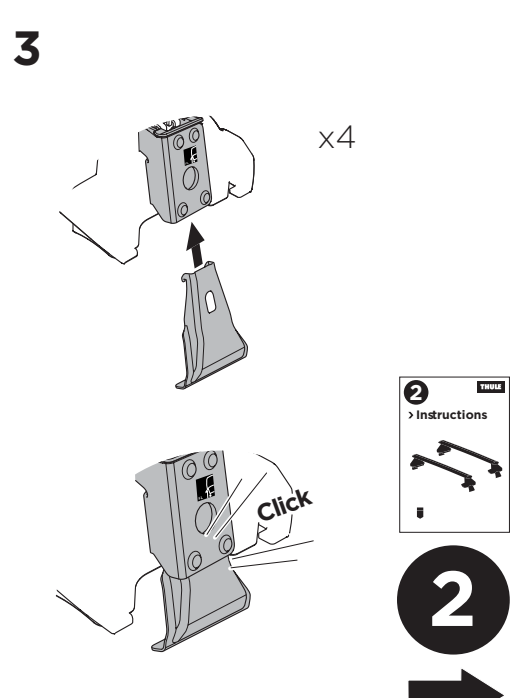
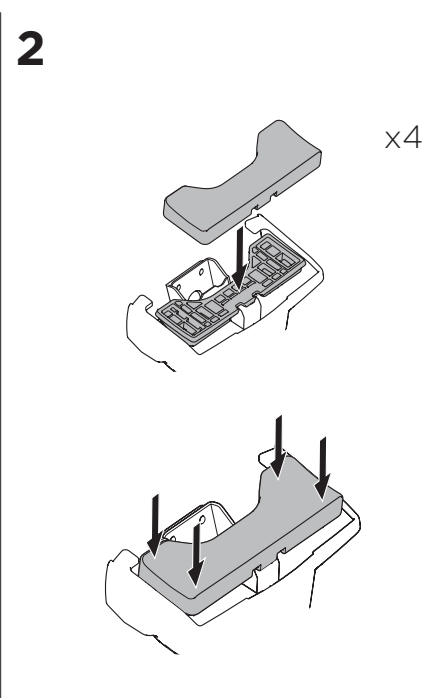
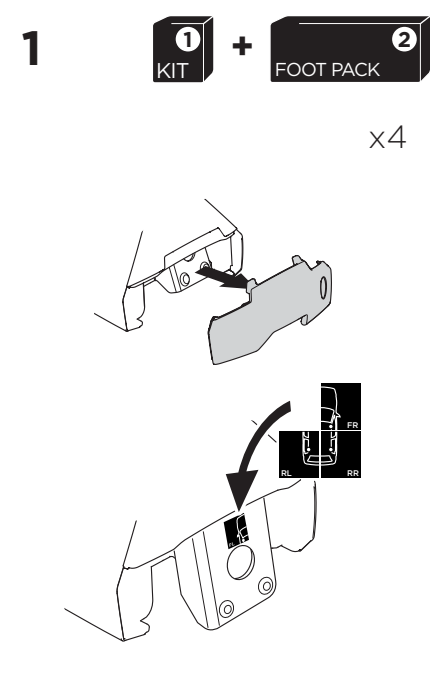
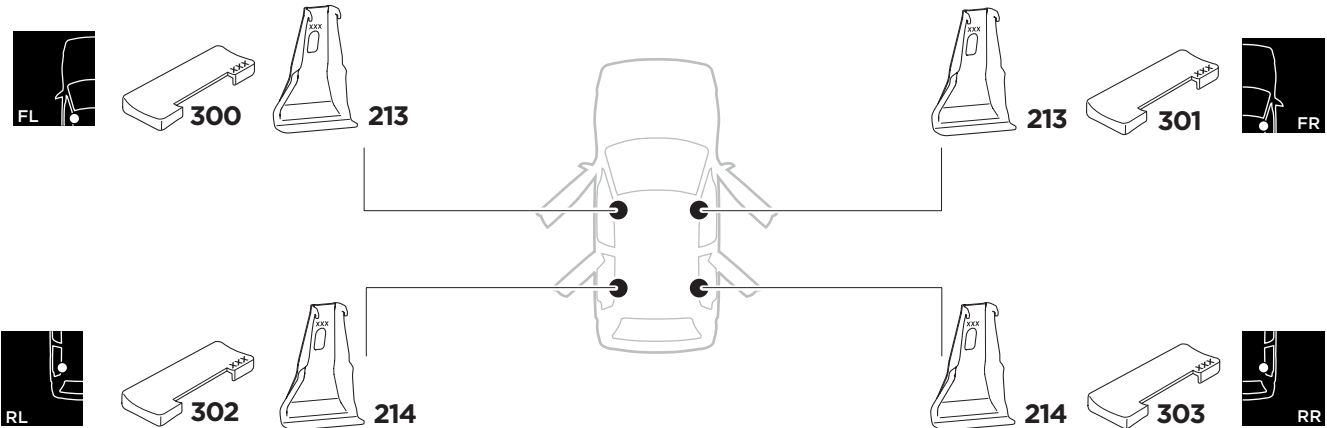
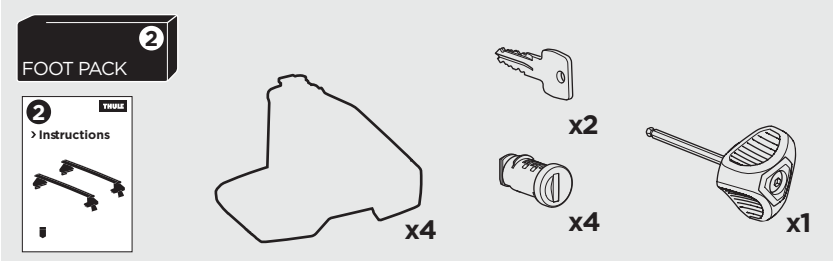
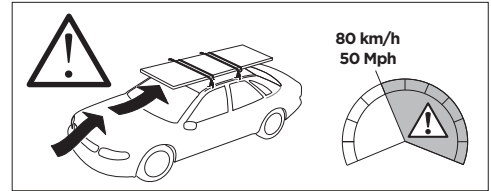
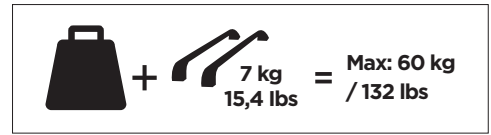
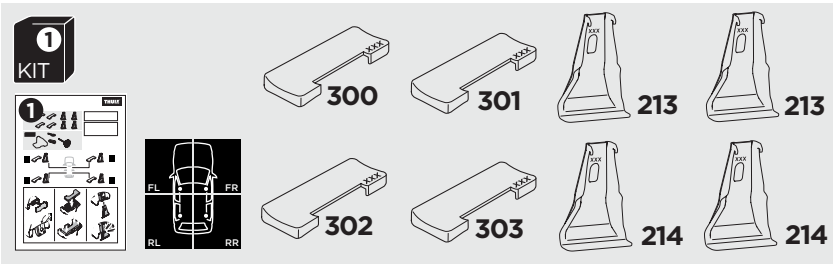


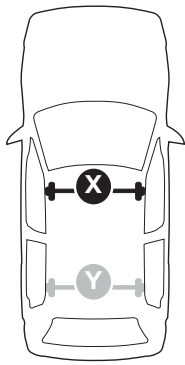
1

Kit 5090 VOLVO V40, 5-dr Hatchback, 12-



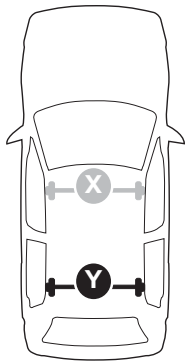
ISO 11154-E





THULE WingBar Evo	THULE WingBar Edge	THULE WingBar	THULE SquareBar	Evo X (scale)	Edge X (scale)
VOLVO V40, 5-dr Hatchback, 12-				39,5	R

THULE ProBar	THULE SlideBar	X (mm/inch)		
VOLVO V40, 5-dr Hatchback, 12-		1046 mm / 41 1/8"		



THULE WingBar Evo	THULE WingBar Edge	THULE WingBar	THULE SquareBar	Evo Y (scale)	Edge Y (scale)
VOLVO V40, 5-dr Hatchback, 12-				27	G

THULE ProBar	THULE SlideBar	Y (mm/inch)		
VOLVO V40, 5-dr Hatchback, 12-		921 mm / 36 1/4"		

	W (mm/inch)	Z (mm/inch)
VOLVO V40, 5-dr Hatchback, 12-	770 mm / 30 3/8"	225 mm / 8 7/8"

