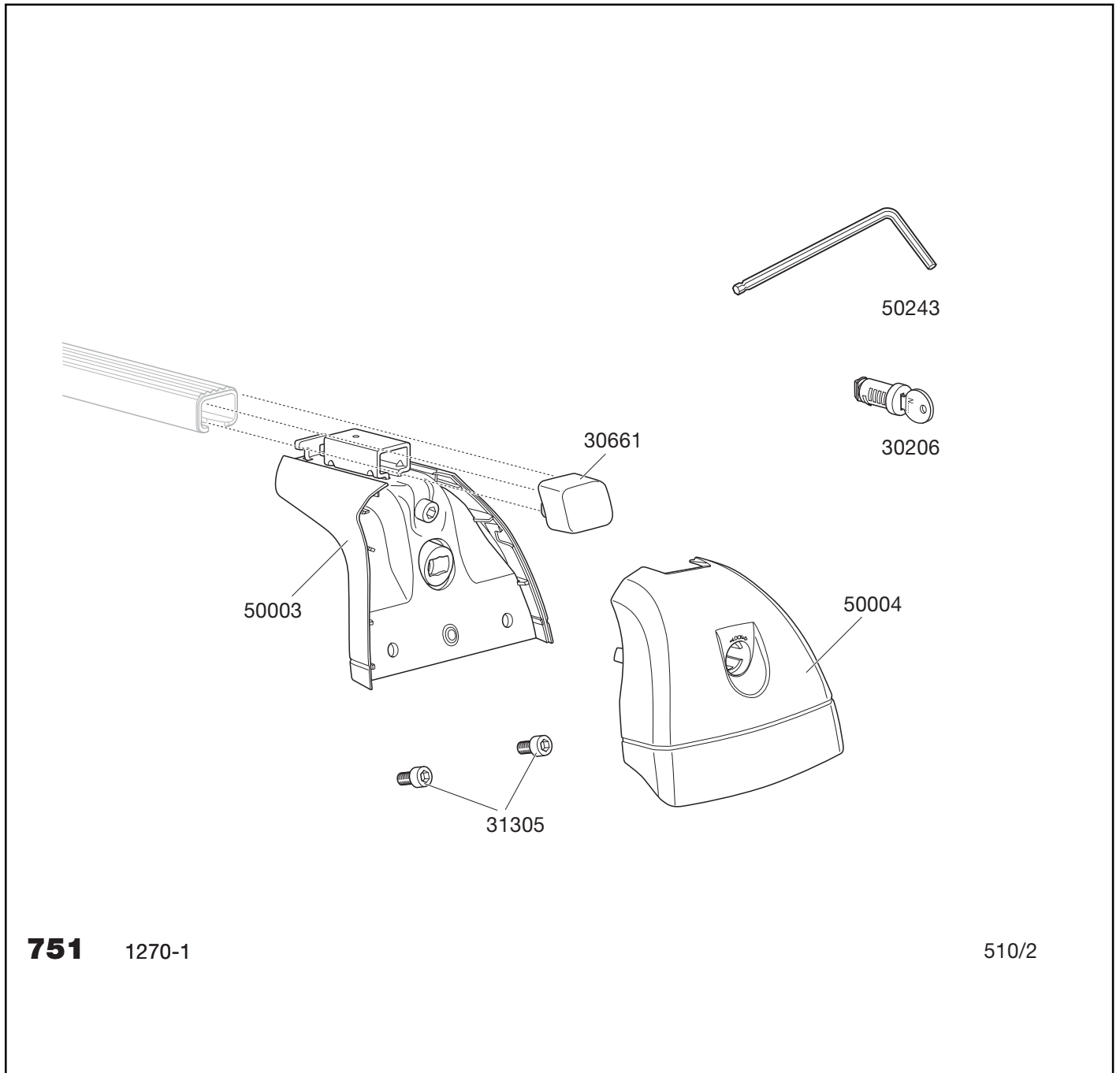


# Thule Rapid Fixpoint XT - Foot pack 751

## For cars with fixpoint



### Individual packs

Product	EAN	Kg	L/W/H in cm
<b>751</b>	7313020012766	2,4	49/16/9

### Pallet

Product	Qty/kg	L/W/H in cm
<b>751</b>	110/279	100/80/115