



BRIEF INFORMATION

Corner Module 270

- Set of two modules is homologated as “half bar” (ECE R65 HTA1)
- Wide angle coverage of at least 270° by using two modules and 360° by using four modules
- Synchronization of 2 or 4 modules
- Integration in the vehicle or on-top mounting

PRODUCT FEATURES

The Corner Module 270 is a special wide angle warning light which is approved as a “half bar” as a set of two modules and offers a new alternative to conventional beacons. Two modules illuminate an area of at least 270° at a distance of 20 m from the vehicle. They can be integrated into the vehicle body or mounted on top by using a bracket.

The housing is black and a flashing amber warning light creates attention around the vehicle. It is possible to create a double flashing pattern and synchronize the modules. The modules must be positioned at a 45° angle in regards to the driving direction of the vehicle to match the legal requirements for mounting.

APPLICATION EXAMPLES



Integration

In order to integrate the elements into the vehicle body, appropriate space must be planned. There are legal requirements to be observed, so that the modules must be positioned at an angle of 45° to the driving direction of the vehicle.



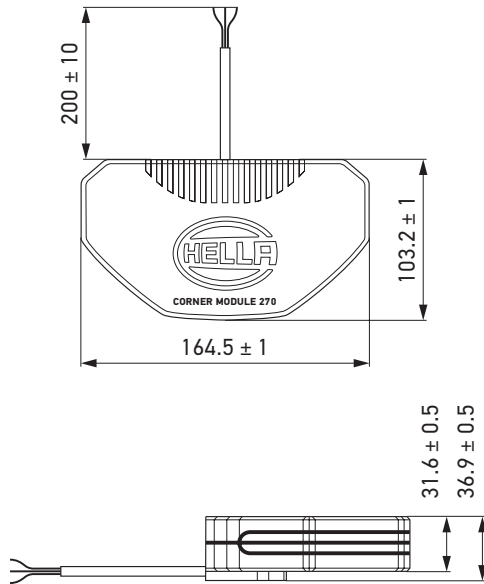
Bracket mounting

The supplied brackets are used for surface-mounting of the product. It is important to position the modules at an angle of 45° to the direction direction of the vehicle in order to meet the legal requirements for mounting.

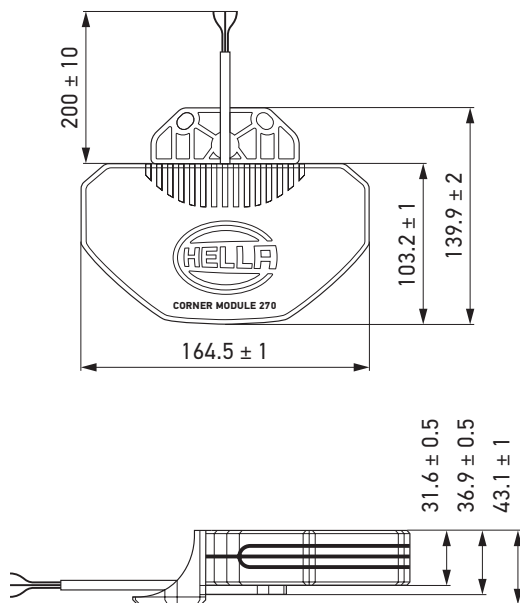
TECHNICAL DETAILS



Dimensional sketches



Integration



Bracket mounting

Technical data

Rated voltage	Multi-voltage
Operating voltage	12 / 24 V
Current consumption	Max. 2.5 A for one module
Power consumption	Max. 30 W for one module
Light function	Flashing
Light source	LED
Material	Lens: polycarbonate Housing: PC-ABS
Weight	318 g
Temperature range	-40 to +60°C
Protection class	IP 67

ECE-R65 HTA1 only for the set of two modules

Type approval*

E1	HTA1	005117
	10R	058984

EMC protection	CISPR 25 Cl. 5
Mounting	Integration, bracket mounting
Connection**	Cable length: 200 mm, cable ends open

* Vehicle specific T-Homologation is possible on request
** Other electrical connections on request

PROGRAM OVERVIEW

Product picture	Description	Part number	Packaging unit
	Corner Module 270, flashing, set of two modules	2XD 455 355-001	1