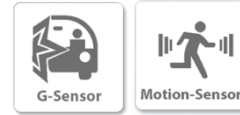


DIGITAL VIDEO RECORDER BP 2.1 FHD



Subject to availability and technical modification.

Sales Start

September 2017

Order Number

2 005 017 000 001

EAN Code

4 260 499 850 708

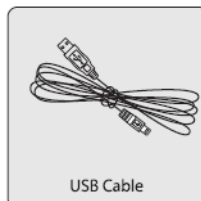
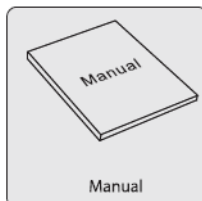
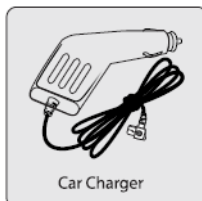
Highlights

- Small and compact design
- Plug and Play – Easy to set up
- 2.0" Colour Display
- 120° degree ultra wide viewing angle
- Full HD 1080 P
- Loop Recording
- G-sensor
- Built-In Microphone & Speaker
- Motion Detection
- External Memory: Micro SDHC Card up to 32 GB (not included)
- Dimensions (LxWxH): 64x65x28 mm
- Weight: 50 g
- Accessories: Car Charger, USB Cable, User Manual, 2 Mounts: Suction Cup and 3M Sticker Mount

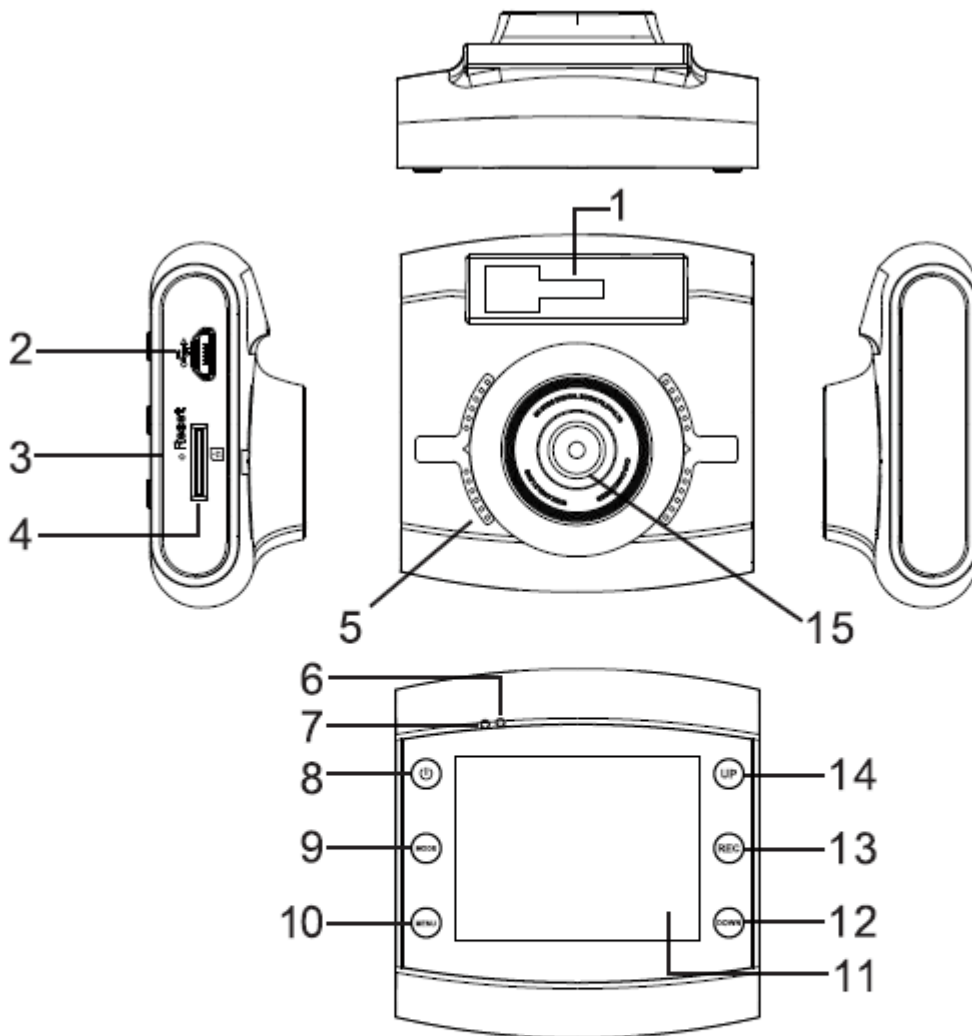
DIGITAL VIDEO RECORDER BP 2.1 FHD

Product Specification

- HD Camera, HD Video Recording
- Built-In G-Sensor
- 2.0" TFT Display
- 120 degree ultra wide viewing angle
- 1 LUX minimum illumination necessary
- 1080P / 720P / 480P video resolution
- Video format AVI@MJPG
- Frames 25fps under 1080P, 30fps under 720P / 1480P
- Image resolution: 12M / 10M / 8M / 5M / 3M / 2MHD / VGA / 1.3 M
- JPG Image format
- Motion Detection support
- Loop recording 30 Sek. / 1 Min. / 2 Min.
- Memory Card (not included) up to max. 32 GB
- USB 2.0 Output
- USB 5V 1000mA Power Port
- 50Hz / 60Hz Power Frequency
- 300 mAH Battery Capacity
- Built-In microphone
- Built-In speaker
- Weight: 50g (DVR)
- Dimension (LxWxBxH) :64x65x28 mm



DIGITAL VIDEO RECORDER BP 2.1 FHD



1. Bracket Hole

2. USB Port

3. RESET Key

4. Micro SD Card Slot

5. Speaker

6. Working Indicator Light

7. Power Indicator Light

8. ON/OFF Key

9. MODE Key

10. MENU Key

11. LCD

12. DOWN Key

13. REC Key

14. UP Key

15. Lens

DIGITAL VIDEO RECORDER

BP 2.1 FHD

System Setting (1)

MODE	Category	Sub-Category	Remark	
Video	Resolution	1080FHD 1920x1080 1080P 1440x1080 720P 1280x720 WVGA 848x480 VGA 640x480	Factory default: 1440x1080	
	Loop Recording	off/30 seconds/1 minute/2 minutes	Factory default: 1 minute	
	Exposure	+2.0, +5/3, +4/3, +1.0, +2/3, +1/3, +0.0, -1/3, -2/3, -1.0, -4/3, -5/3, -2.0	Factory default: +0.0	
	Voice Recording	Off/on	Factory default: On	
	G-Sensor	Off/high/medium/low	Factory default: Medium	
	Date stamp	Off/on	Factory default: On	
Image setting	Photo	Capture Mode	Single/2s timer/5s timer/10s timer	Factory default: Single
		Resolution	12M/10M/8M/5M/3M/2MHD/VGA/1.3M	Factory default: 8M
		Sequence	Off/on	Factory default: Off
		Quality	Fine/Normal/Economy	Factory default: Normal
		Sharpness	Strong/Normal/Soft	Factory default: Normal
		White Balance	Auto/daylight/cloudy/tungsten/Fluorescent	Factory default: Auto
	Photo	Color	Color/Black & White/Sepia	Factory default: Color
		ISO	AUTO/100/200/400	Factory default: Auto
		Exposure	+0.0, -1/3, -2/3, -1.0, -4/3, -5/3, -2.0, +2.0, +5/3, +4/3, +1.0, +2/3, +1/3	Factory default: +0.0
		Anti-shaking	Off/on	Factory default: off
		Quick Preview	Off/2 Seconds/5 Seconds	Factory default: 2 Seconds
		Date Stamp	Off, date, date/time	Factory default: Date/Time
Playback	Delete	Delete current/Delete all		
	Protect	Lock Current/Unlock Current/Lock All/Unlock All		
	Slide Preview	2 seconds/5 seconds/8 seconds		

DIGITAL VIDEO RECORDER

BP 2.1 FHD

System Setting (2)

System Setting	Date/Time	MM/DD/YY, DD/MM/YY, YY/MM/DD	
	Auto Power off	Off/1 minute/3 minutes	Factory default: off
	Beep Sound	Off/on	Factory default: on
	Language	English/Français/Español/Português/Deutsch/Italiano/Român /繁體中文/Русский/日本語/Polski/čeština/Türk	
	Frequency	50Hz/60Hz	
	Format	Micro SD Card	
	LCD OFF	Off/1 minute/2 minutes/5 minutes	Factory default: 1 minute
	Default setting	Factory Default/Cancel/OK	
	Version	The current version number	