



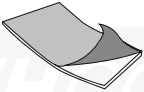



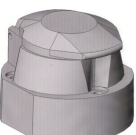




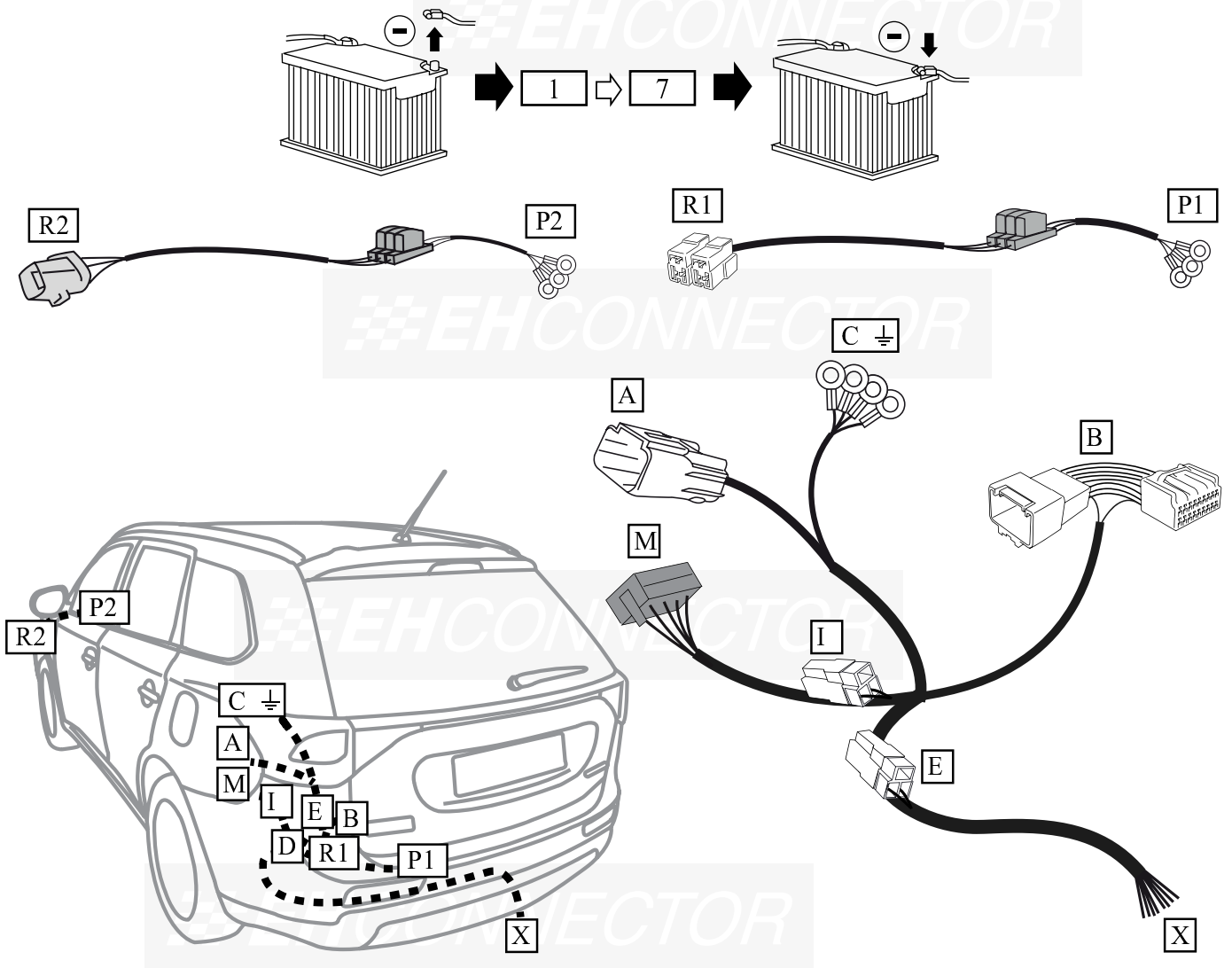


Mitsubishi Outlander + Hybrid, 2013-

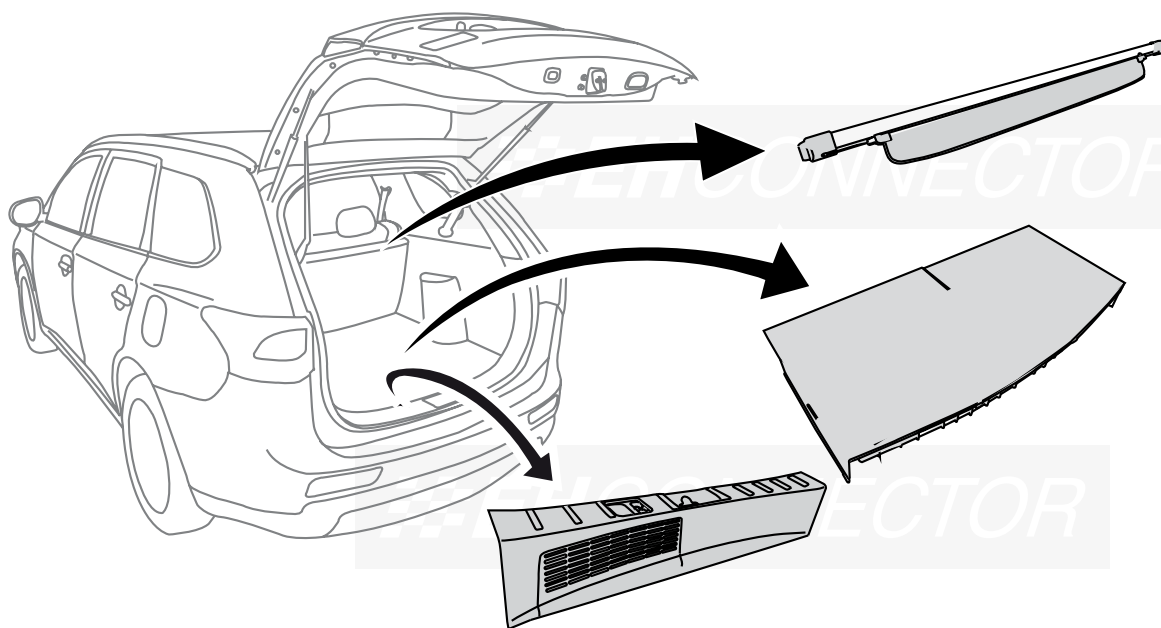
13pin

Nr: 36277

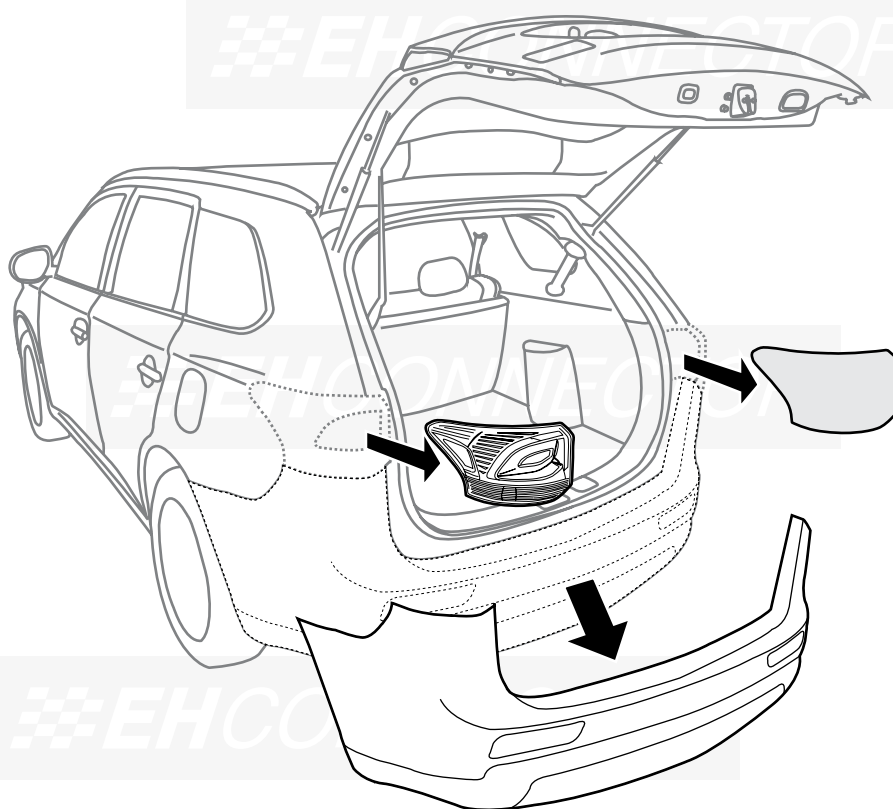
1x  Art.no. 3500-0043	1x  Art.no. 3582	5cm  Art.no. 3530	5cm  Art.no. 3531	50cm  Art.no. 3584	4x L=140  Art.no. 6079	4x L=186  Art.no. 6081	4x L=450  Art.no. 6082
1x  Art.no.12002	1x  Art.no.4290	3x  M5 x 35 Art.no. 1031	3x  Art.no. 1091	3x  M5 Art.no. 1071			



1


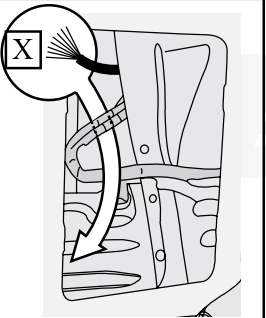

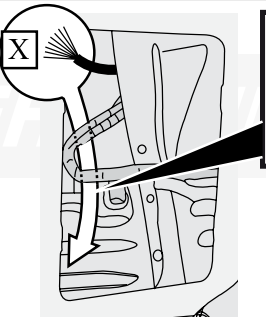



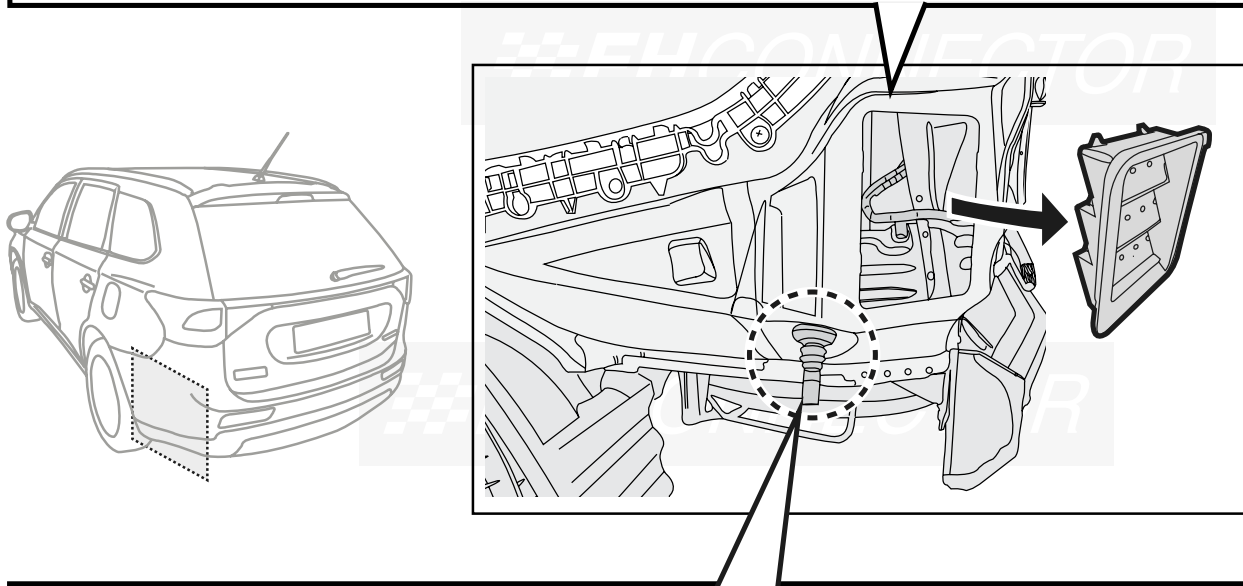
2



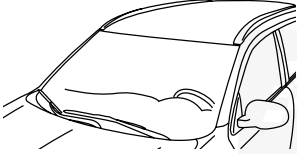
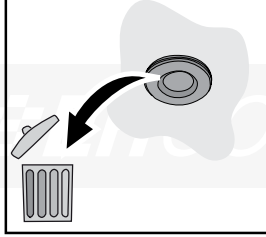
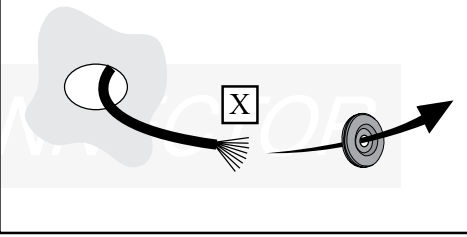
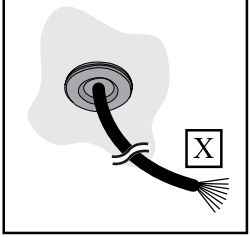
3

ATTENTION!

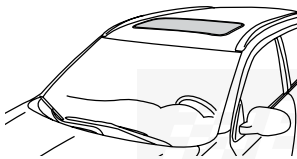
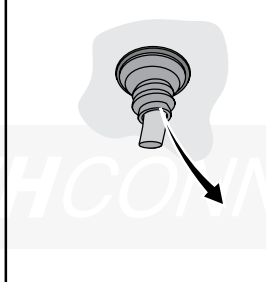
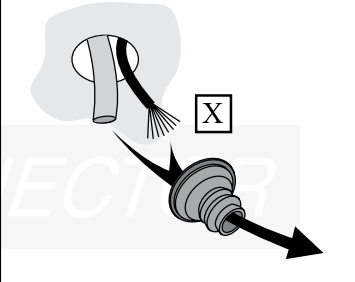
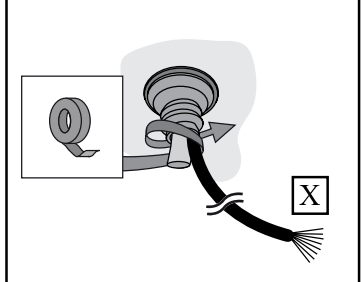
YES 		NO 		
-------------------------------------------------------------------------------------------------	-----------------------------------------------------------------------------------	------------------------------------------------------------------------------------------------	------------------------------------------------------------------------------------	-------------------------------------------------------------------------------------



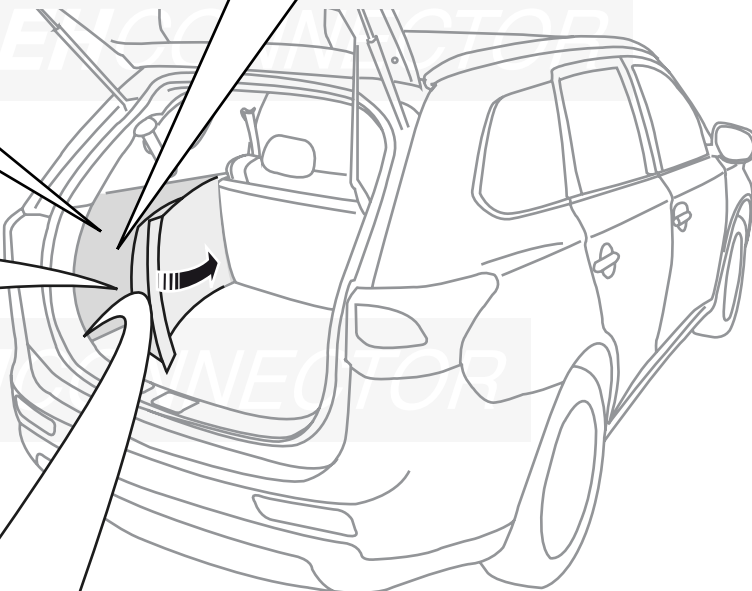
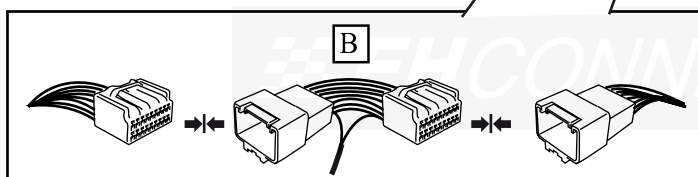
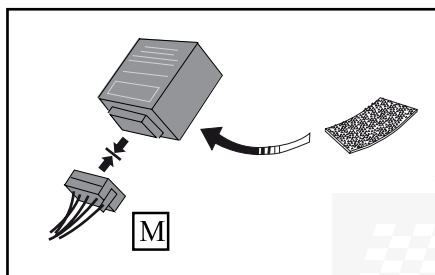
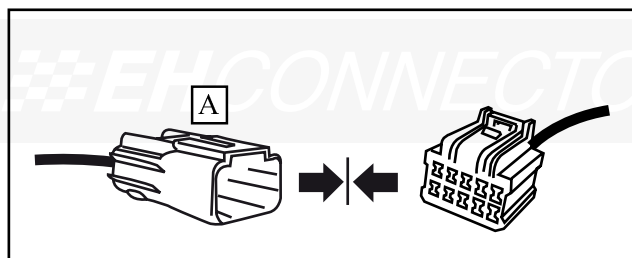
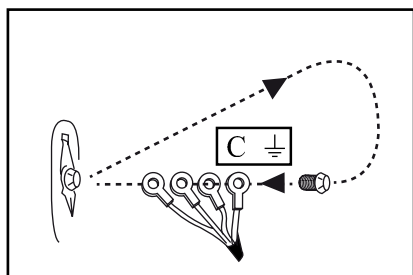
OPTION 1

			
-------------------------------------------------------------------------------------	-------------------------------------------------------------------------------------	--------------------------------------------------------------------------------------	---------------------------------------------------------------------------------------

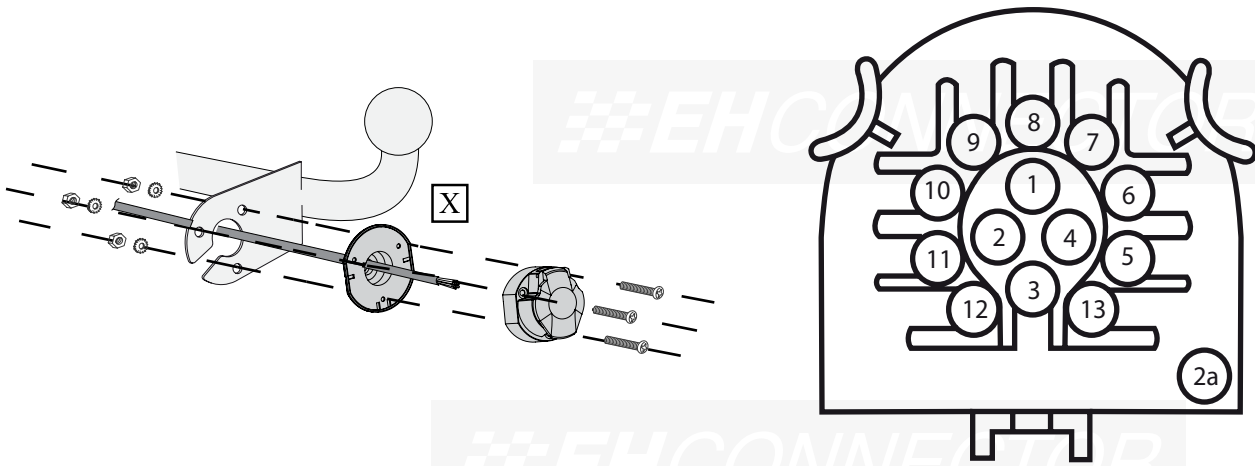
OPTION 2

			
-------------------------------------------------------------------------------------	-------------------------------------------------------------------------------------	--------------------------------------------------------------------------------------	---------------------------------------------------------------------------------------

4



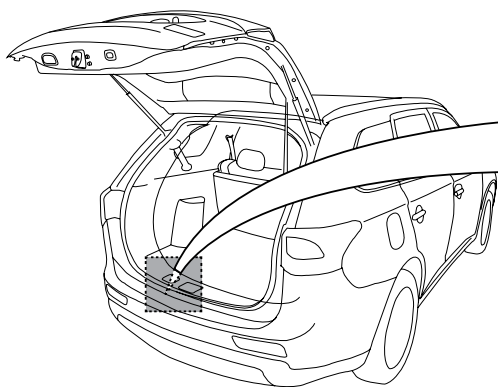
5



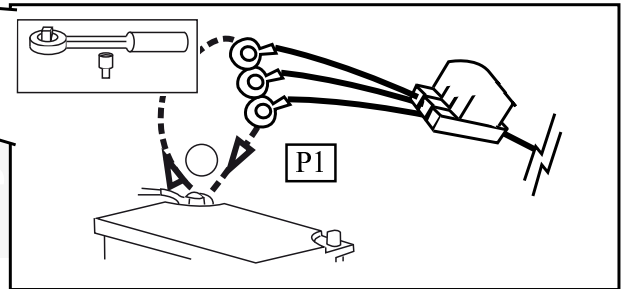
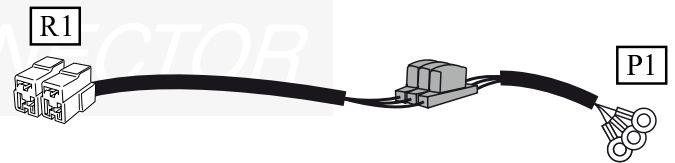
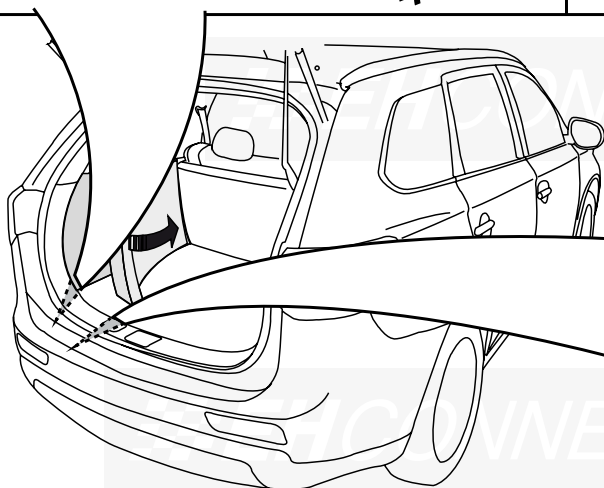
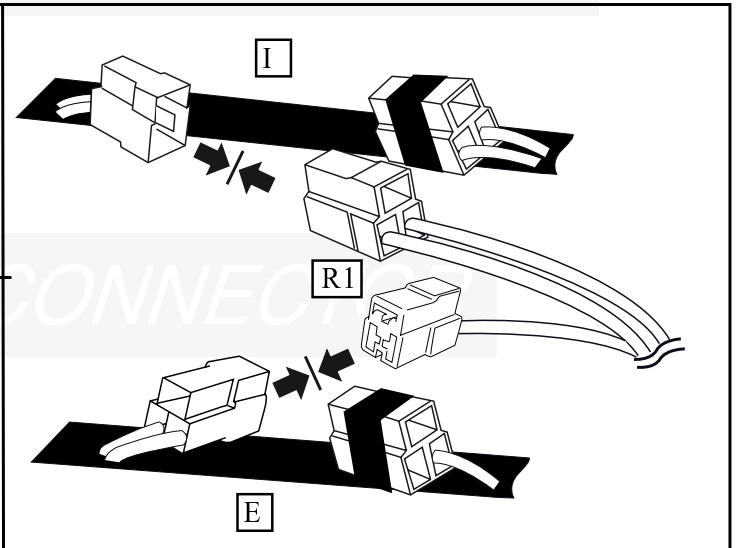
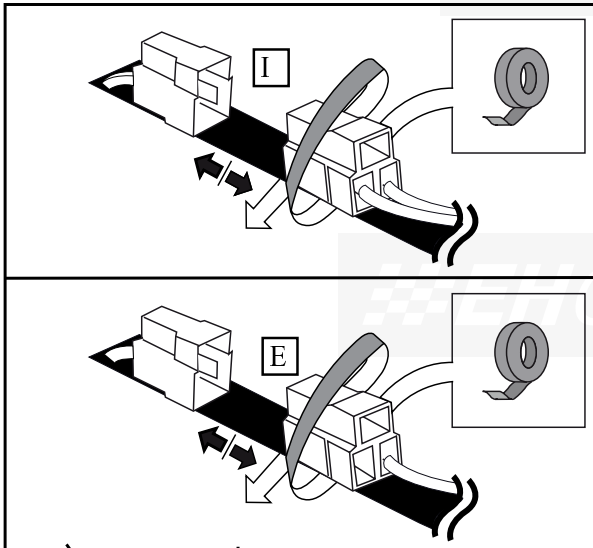
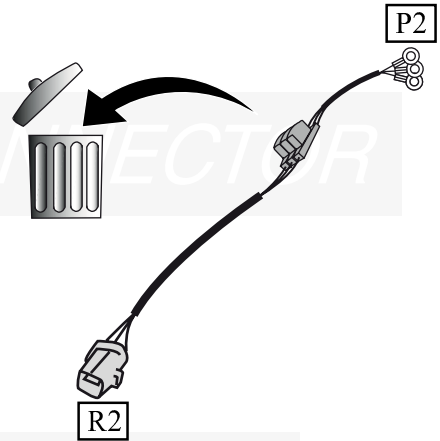
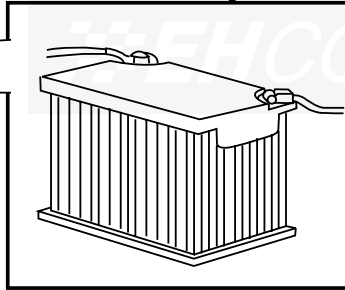
P-MAX		GB	S	N	DK	FIN	POL	
21W		1	yellow	gul	gul	gul	keltainen	żółty
2x21W		2	blue	blå	blå	blå	sininen	niebieski
		3	white	vit	hvit	hvid	valkoinen	biały
21W		4	green	grön	grønn	grøn	vihreä	zielony
56W		5	brown	brun	brun	brun	ruskea	brązowy
2x21W		6	red	röd	rød	rød	punainen	czerwony
56W		7	black	svart	sort	sort	musta	czarny
2x21W		8	yellow/ brown	gul/ brun	gul/ brun	gul/ brun	keltainen/ ruskea	żółty/ brązowy
		9	white/ black	vit/ svart	hvit/ sort	hvid/ sort	valkoinen/ musta	biały/ czarny
		10	black/ green	svart/ grön	sort/ grønn	sort/ grøn	musta/ vihreä	czarny/ zielony
		11	white	vit	hvit	hvid	valkoinen	biały
		12						
		13	white	vit	hvit	hvid	valkoinen	biały
		2a	grey	grå	grå	grå	harmaa	szary

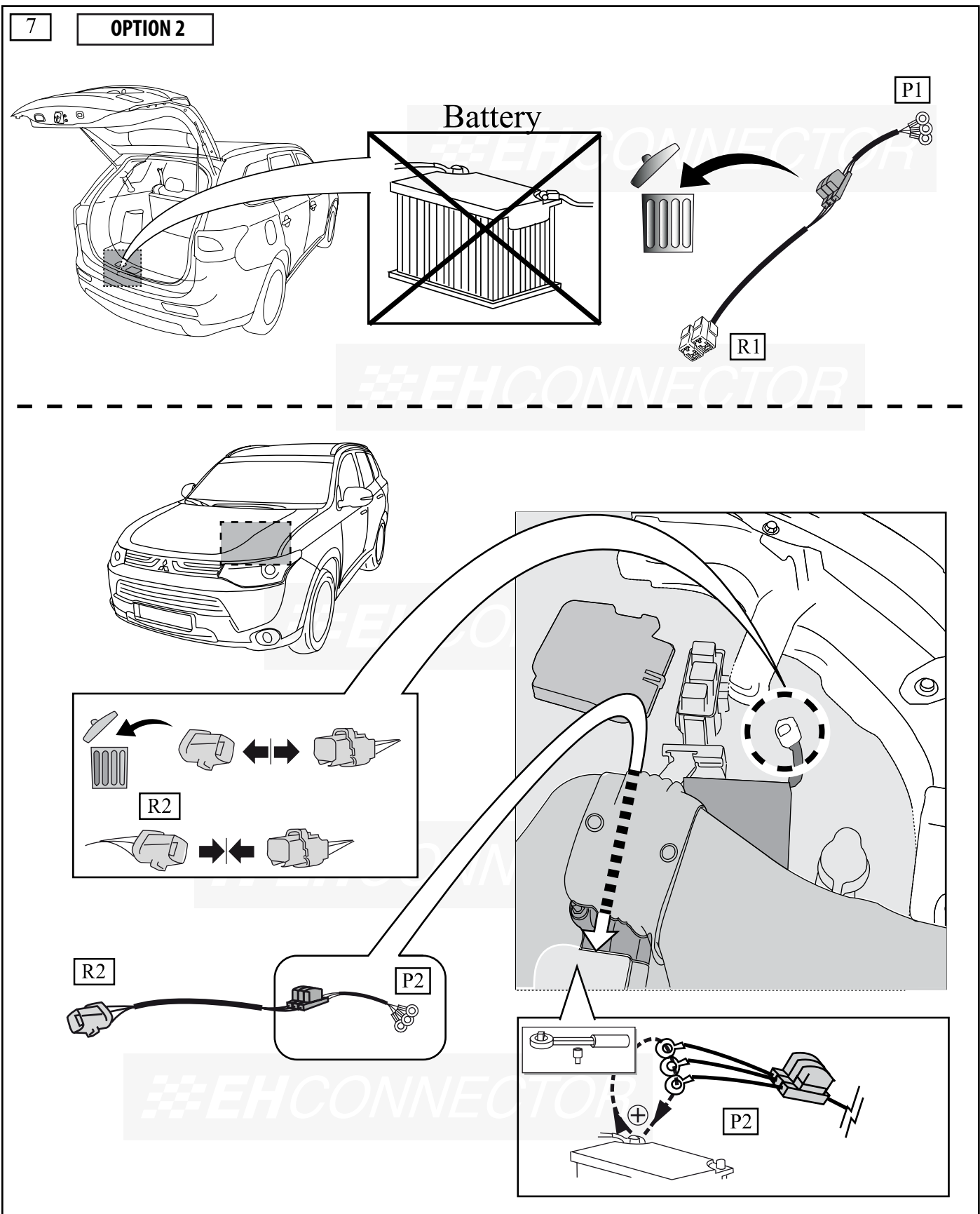
6

OPTION 1

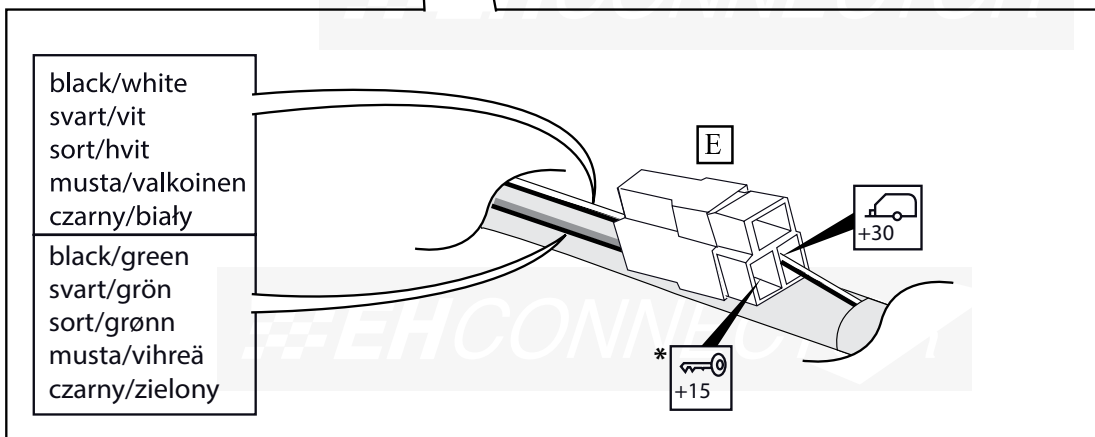
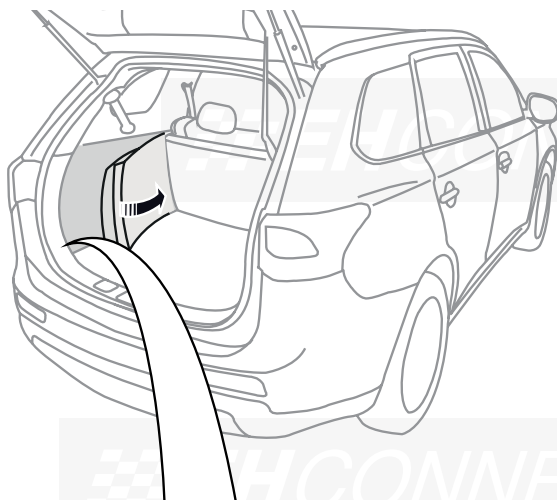


Battery





INFO



* OPTIONAL
PREPARED FOR SUPPLEMENTARY KIT: GENERATOR CURRENT

INFO

for OE-installed
PDC

