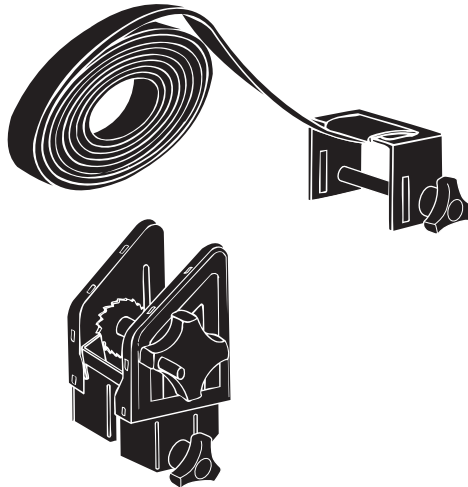


Thule Strap Winch 552

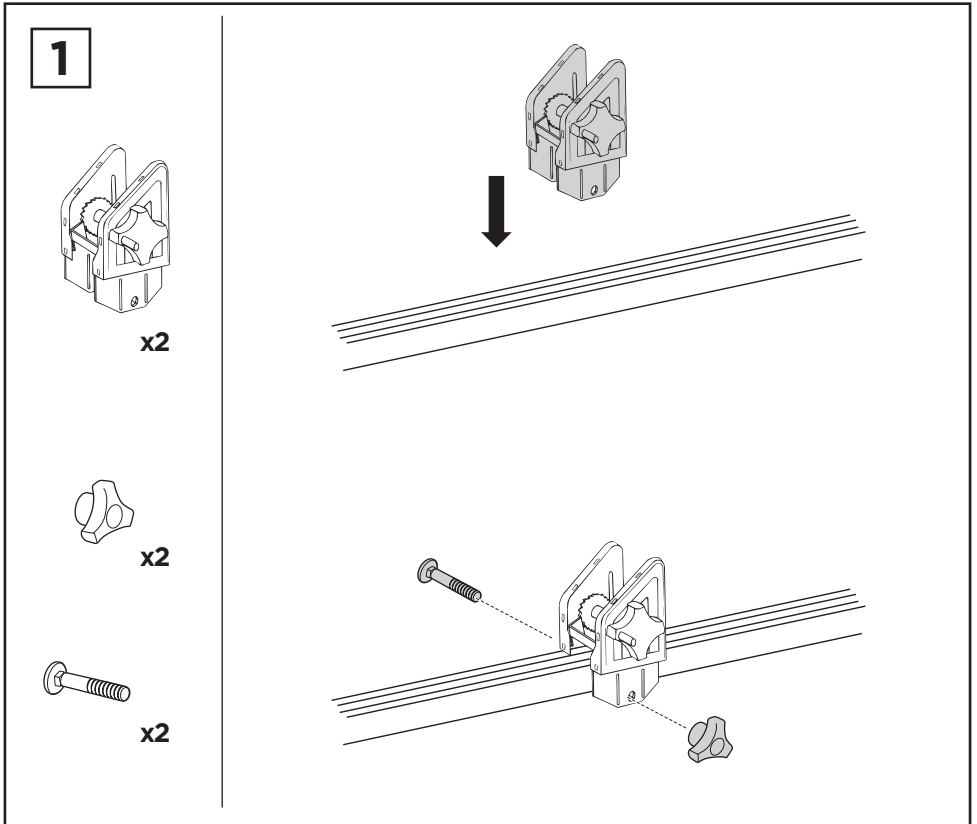
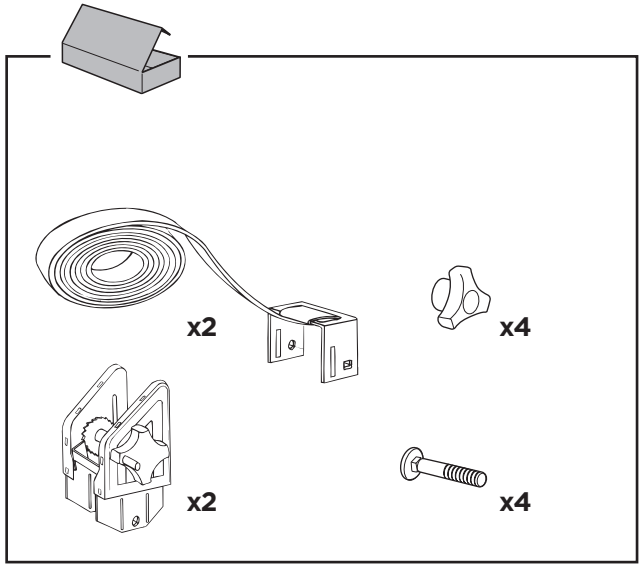
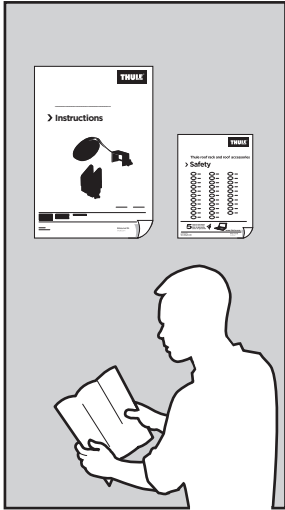
➤ Instructions



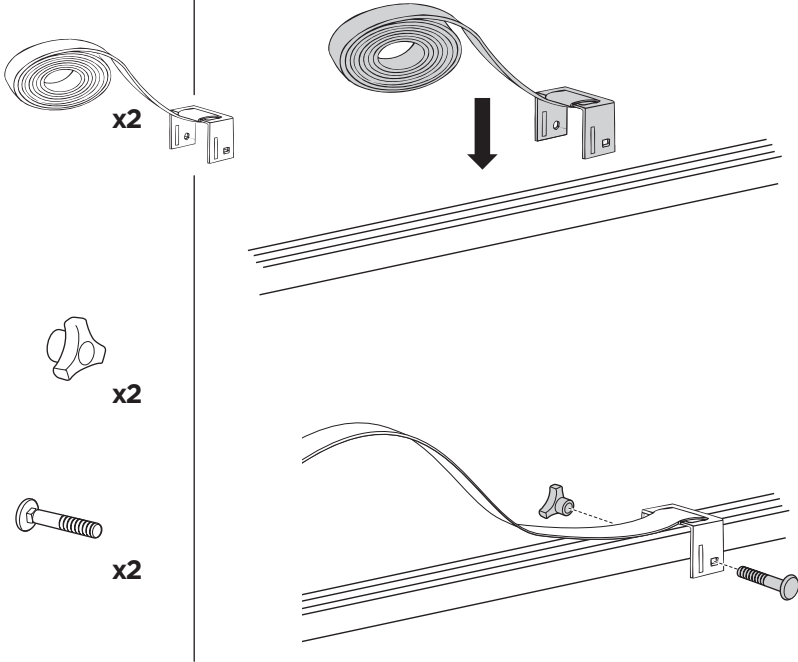
552000

AS/4.20160531
501-4354-03

Bring your life
thule.com



2



3

