

# 1

## Kit 187090

MERCEDES A-Class (C169), 3-dr Hatchback, 05-11  
 MERCEDES A-Class (W169), 5-dr Hatchback, 05-11  
 MERCEDES B-Class (W245), 5-dr Hatchback, 05-10



ISO 11154-E

This kit is only for vehicles with fixpoint mounting.

**1 KIT**

**1**

Safety

105 x1

106 x1

107 x2

002 x4

54672 x4

54674 x4

54673 x1

54661 x4

7 kg  
15,4 lbs = Max: 75 kg  
/ 165 lbs

Max: 130 km/h  
80 Mph

80 km/h  
50 Mph

**2 FOOT PACK**

**2**

x4

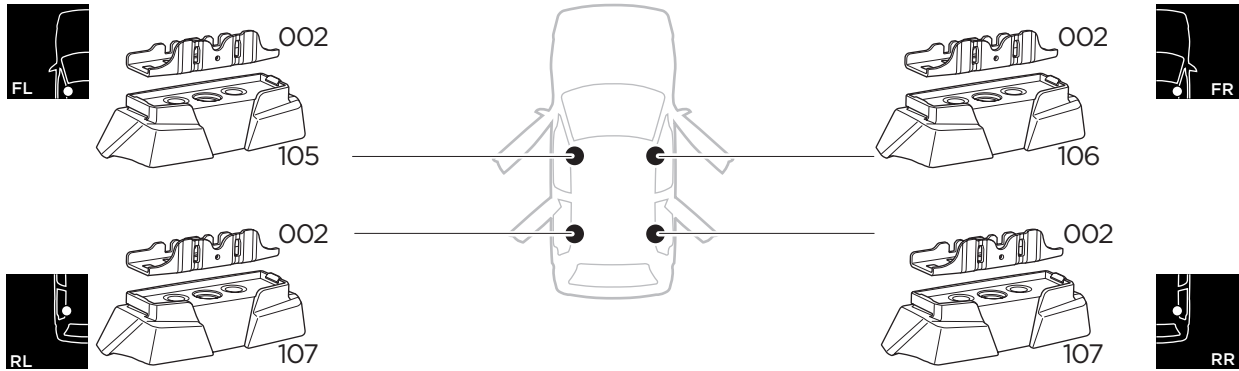
x4

x2

x4

4 Nm

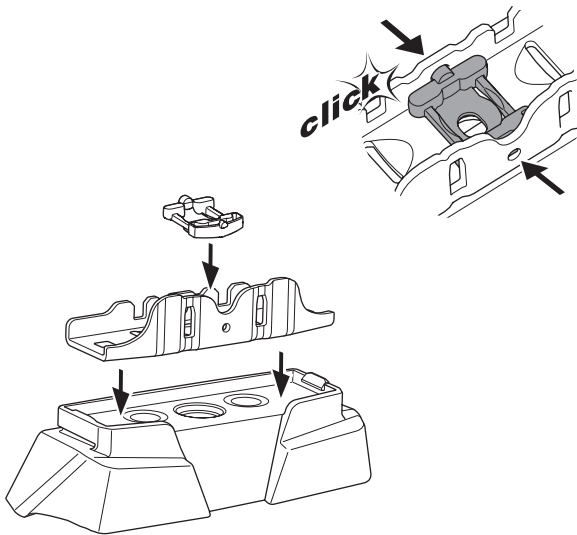
x1



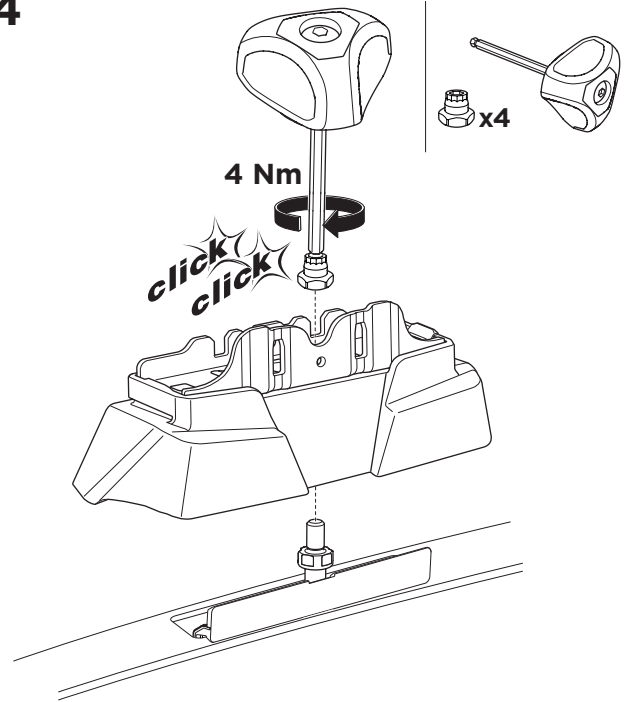
**1**

**2**

3



4



5

